

PROFESSIONAL GRILLS SERIES 7-OUTDOOR KITCHEN

PLANNING GUIDE

BH1-48RS | BH1-48RI | BH1-36RI | BH1-48R | BH1-36R | BH1-30R | BGA54-IJS |
BGA48-IJS | BGA42-IJS | BGA36-IJS | BGA30-IJS | ASH6-48 | ASH6-36

DCS

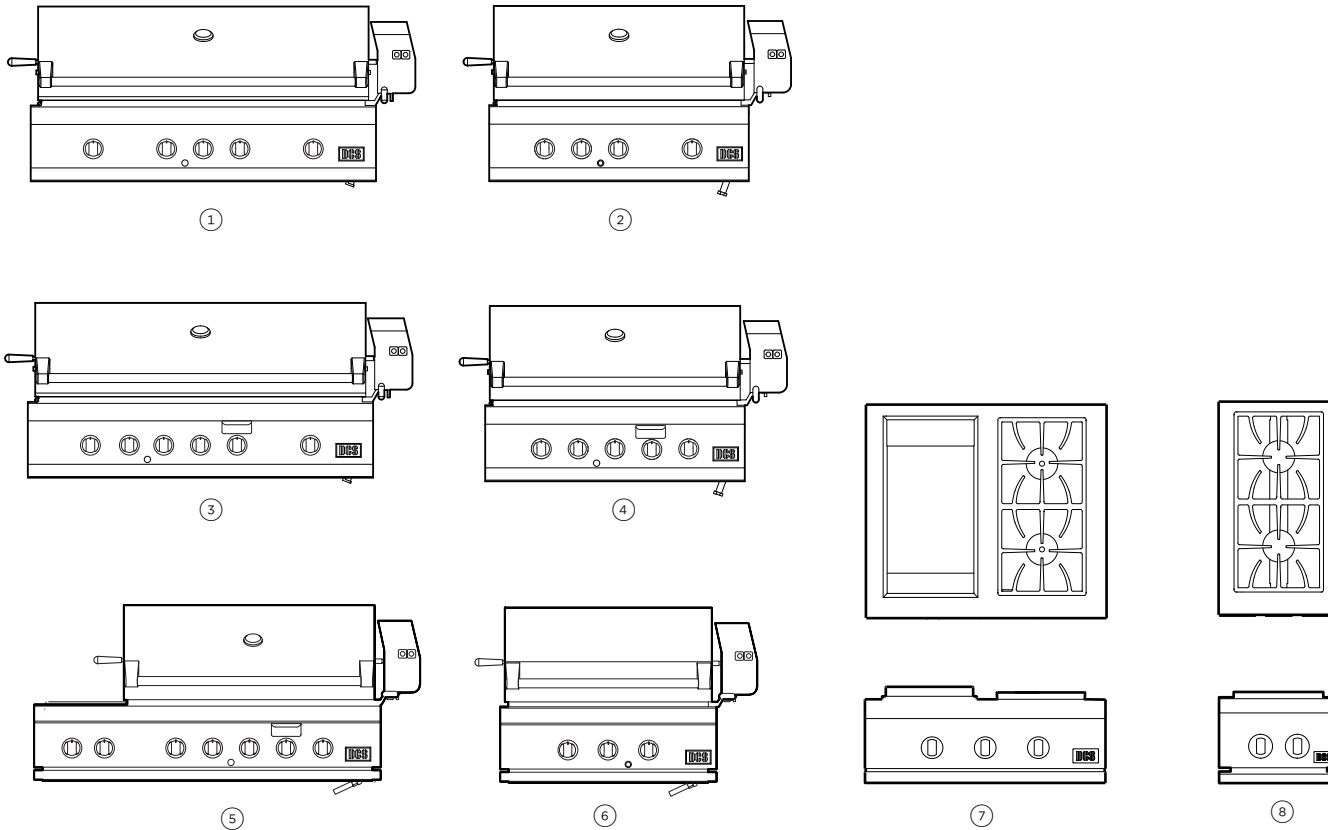
This comprehensive Planning Guide provides you with the framework and tools to achieve your desired design outcome with DCS appliances. In this guide, you will find a range of conceptual, detailed, and dimensional product information to bring your ideas to life and create spaces that truly reflect your vision.

CONTENTS

| CONCEPT DESIGN | | DEVELOPED AND DETAILED DESIGN | | DEVELOPED AND DETAILED DESIGN | |
|-----------------------|-----------|---|-----------|---|-----------|
| | PAGE | | PAGE | | PAGE |
| Design Choices | | Data Sheets | | Grill Cabinet Specifications | 25 |
| Grills | 4 | BH1-48RI, BH1-48R | 13 | Non-combustible grill cabinet | 26 |
| Insulation jackets | 5 | BH1-48RS | 14 | Combustible grill cabinet | 27 |
| Cooling | 6 | BH1-36RI, BH1-36R | 15 | | |
| Drawers | 7 | BH1-30R | 16 | Specialty Cooking Cabinet Specifications | |
| Access doors | 8 | BGC132-BI | 17 | BFGC-30BGD, BGC132-BI installation | 29 |
| Carts | 9 | BFGC-30BGD | 18 | | |
| Compact kitchen | 10 | | | | |
| Medium kitchen | 11 | Planning Considerations | | | |
| | | Grills - clearances | 20 | | |
| | | Specialty cooking - clearances | 21 | | |
| | | Wind screen protection | 22 | | |
| | | Ventilation requirements for LP cylinder enclosures | 23 | | |
| | | Notched counter-top and bull-nose edging details | 24 | | |

The models shown in this Planning Guide may not be available in all markets and are subject to change at any time. Product specifications may vary from those shown. This Planning Guide should not be used as installation guidance for any product. Further information is required to safely and correctly install the products featured here. Specific installation guidance will be available on our website dcsappliances.com

DESIGN CHOICES



GRILLS

- ① **BH1-48RI Grill**
48" Grilling surface, rotisserie, full surface searing, IR sear burner, warming rack. Gas options: LP or NG

- ② **BH1-36RI Grill**
36" Grilling surface, rotisserie, full surface searing, IR sear burner warming rack. Gas options: LP or NG

- ③ **BH1-48R Grill**
48" Grilling surface, rotisserie, smoker tray, full surface searing, warming rack. Gas options: LP or NG

- ④ **BH1-36R Grill**
36" Grilling surface, rotisserie, smoker tray, full surface searing, warming rack. Gas options: LP or NG

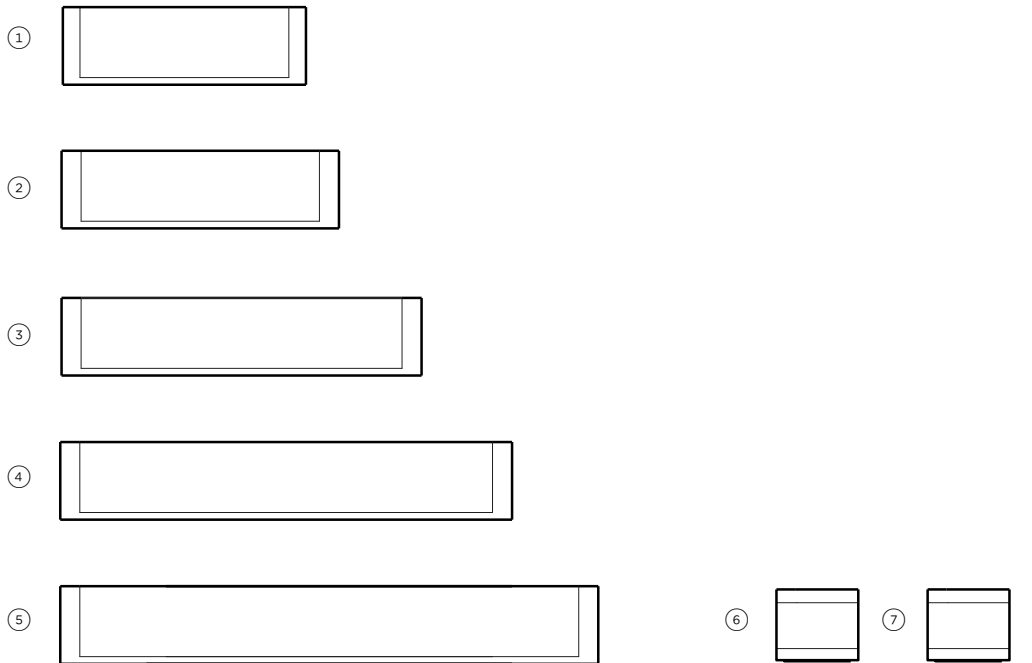
- ⑤ **BH1-48RS Grill with side-burner**
48" Grilling surface, rotisserie, smoker tray, full surface searing, warming rack, integrated side-burners. Gas options: LP or NG

- ⑥ **BH1-30R Grill**
30" Grilling surface, rotisserie, full surface searing, warming rack. Gas options: LP or NG

- ⑦ **BFGC-30BGD Griddle/Side Burner**
30" Griddle/side burner with cover. CAD1-30 Free-standing cart install option available.
Gas Options: LP or NG

- ⑧ **BGC132-BI Double Side Burner**
14" Double side burner with cover. Gas Options: LP or NG

The models shown in this Planning Guide may not be available in all markets and are subject to change at any time. Product specifications may vary from those shown. This Planning Guide should not be used as installation guidance for any product. Further information is required to safely and correctly install the products featured here. Specific installation guidance will be available on our website dcsappliances.com



INSULATION JACKETS

- ① **BGB30-IJS 30" Insulation Jacket**
30" Jacket for combustible cabinet installation with BH1-30R grill or BFGC-30BGD Griddle/Side Burner

- ② **BGA36-IJS INSULATION JACKET**
36" Jacket for combustible cabinet installation

- ③ **BGA42-IJS INSULATION JACKET**
42" Jacket for combustible cabinet installation (ASH6-36 6" storage in combination with S7 36" grill)

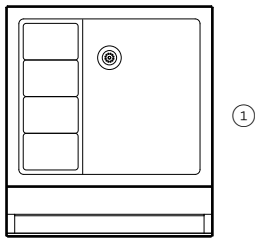
- ④ **BGA48-IJS INSULATION JACKET**
48" Jacket for combustible cabinet installation

- ⑤ **BGA54-IJS INSULATION JACKET**
54" Jacket for combustible cabinet installation (ASH6-48 6" storage in combination with S7 48" grill)

- ⑥ **ASH6-48 SIDE STORAGE**
6" Storage unit for side installation with S7 48" grills

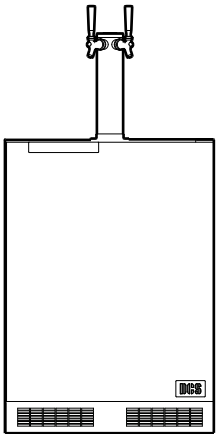
- ⑦ **ASH6-36 SIDE STORAGE**
6" Storage unit for side installation with S7 36" grills

The models shown in this Planning Guide may not be available in all markets and are subject to change at any time. Product specifications may vary from those shown. This Planning Guide should not be used as installation guidance for any product. Further information is required to safely and correctly install the products featured here. Specific installation guidance will be available on our website dcsappliances.com

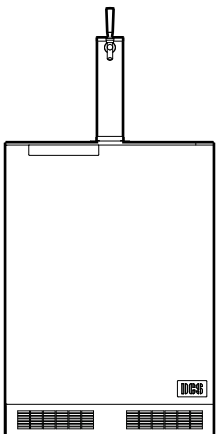


①

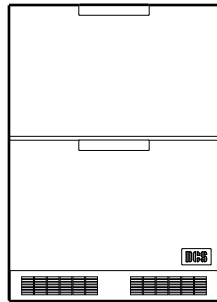
②



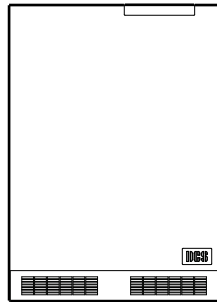
③



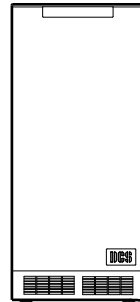
④



⑤



⑥



⑦

CHILLERS IN COUNTER

- ① **BC25 Chiller Sink**
25" Bottle and ice sink with four condiment storage containers.

- ② **BC-BTTLEAC-25 Bottle Holder Sink Accessory**
25" 1 litre bottle holder with towel rack.

- ③ **RF24BTR2, RF24BTL2 Outdoor Beer Dispenser**
24" Dual tap, CO² tank and regulator, refrigerated keg storage, door open alarm, digital temperature control with in counter drainage system. Left or right door opening.

- ④ **RF24BTR2, RF24BTL2 Outdoor Beer Dispenser**
24" Single tap, CO² tank and regulator, refrigerated keg storage, door open alarm, digital temperature control with in counter drainage system. Left or right door opening.

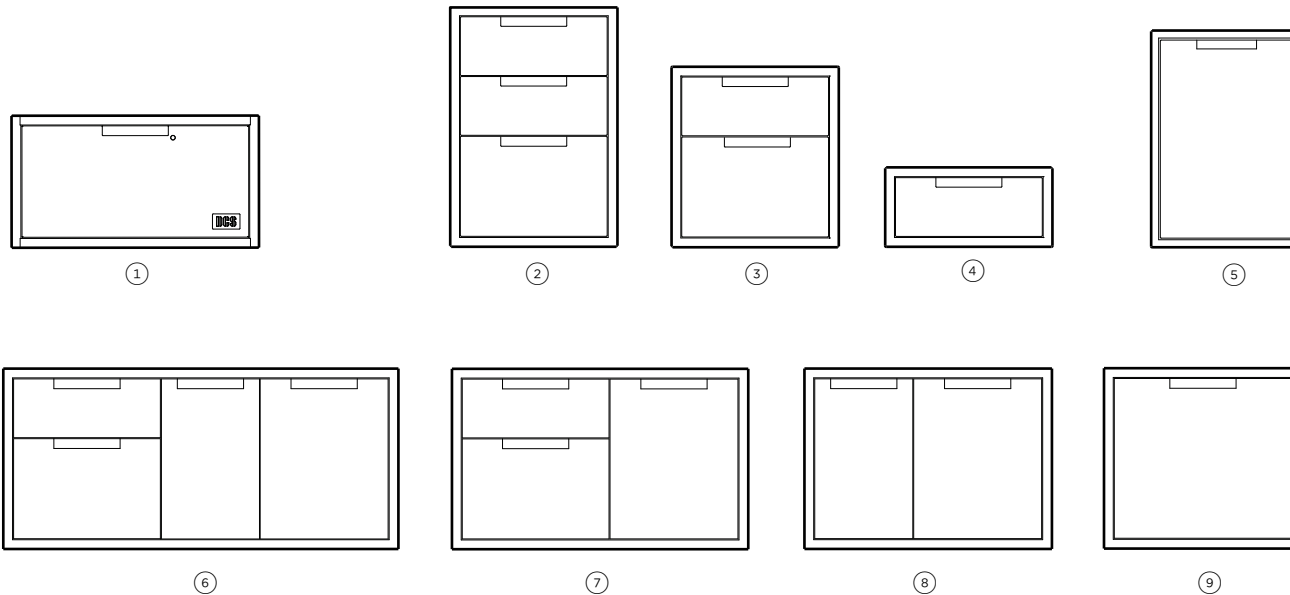
CHILLERS UNDER COUNTER

- ⑤ **RF24DE4 Outdoor refrigerator drawers**
24" Refrigerated drawers, 5 cu foot capacity, rapid cool down, and open door alarm.

- ⑥ **RF24RE4, RF24LE4 Outdoor refrigerator**
24" Single door refrigerator, 5.3 cu foot capacity and open door alarm. Left or right door opening.

- ⑦ **RF15IL3, RF15R3 Outdoor Ice Machine**
15" Ice Machine, 39lb per day, sound buffered, eco and delay mode.

The models shown in this Planning Guide may not be available in all markets and are subject to change at any time. Product specifications may vary from those shown. This Planning Guide should not be used as installation guidance for any product. Further information is required to safely and correctly install the products featured here. Specific installation guidance will be available on our website dcsappliances.com



DRAWERS

- ① **WD1-30-SSOD Warming drawer**
30" Outdoor warming drawer, removable stainless steel shelf, space for 6 standard dinner plates.

- ② **TDT1-20 Tower drawer triple**
20 5/16" Wide outdoor weather resistant triple drawers.

- ③ **TDD1-20 Tower drawer double**
20 5/16" Wide outdoor weather resistant double drawers.

- ④ **TDS1-20 Tower drawer single**
20 5/16" Wide outdoor weather resistant single drawer.

- ⑤ **TB1-20 Trash bin**
20 5/16" Wide waste solution with two full sized removable bins.

- ⑥ **ADR2-48 Access drawers**
48" Wide access four drawer or convert to trash drawer and flexible storage.

- ⑦ **ADR2-36 Access drawers**
36" Wide access three drawer or convert to trash drawer and flexible storage.

- ⑧ **ADR2-30 Access drawers**
30" Wide access two drawer or convert to trash drawer and flexible storage.

- ⑨ **ADR2-24 Access drawers**
24" Wide access single drawer or convert to trash drawer.

The models shown in this Planning Guide may not be available in all markets and are subject to change at any time. Product specifications may vary from those shown. This Planning Guide should not be used as installation guidance for any product. Further information is required to safely and correctly install the products featured here. Specific installation guidance will be available on our website dcsappliances.com

ACCESS DOORS

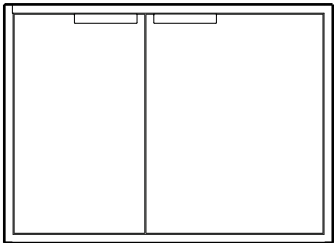
- ① **DP1-42 Dry pantry**
42" Wide dry pantry, adjustable storage, removable storage bins and wire shelves.

- ② **ADN1-20X48 Access doors**
48" Wide access doors, for built in cabinet storage.

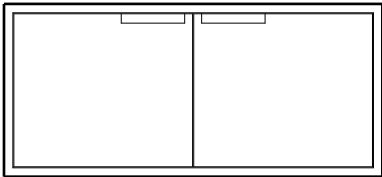
- ③ **ADN1-20X36 Access doors**
36" Wide access doors, for built in cabinet storage.

- ④ **ADN1-20X30 Access doors**
30" Wide access doors, for built in cabinet storage.

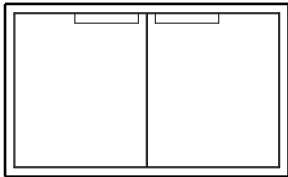
- ⑤ **ADN1-20X24 Access doors**
24" Wide access doors, for built in cabinet storage.



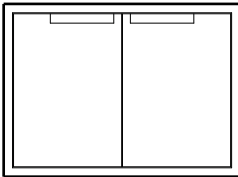
①



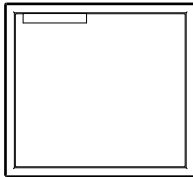
②



③

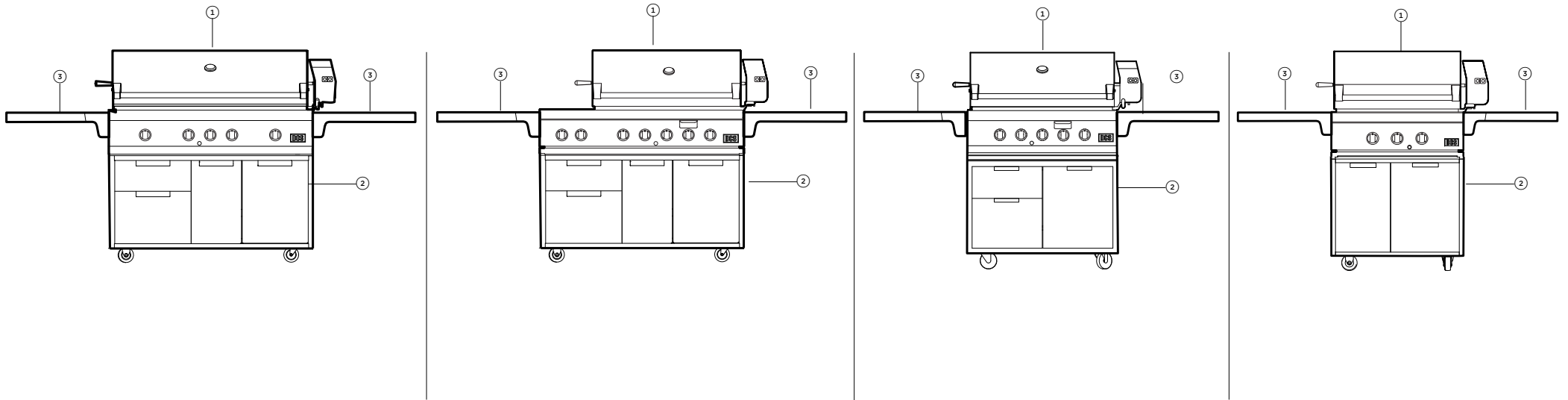


④



⑤

The models shown in this Planning Guide may not be available in all markets and are subject to change at any time. Product specifications may vary from those shown. This Planning Guide should not be used as installation guidance for any product. Further information is required to safely and correctly install the products featured here. Specific installation guidance will be available on our website dcsappliances.com



MODELS

| | |
|---|---|
| ① | 48" Grill with Rotisserie and Sear Burner Models: BH1-48RI-L (LPG), BH1-48RI-N (NG) |
| ② | 48" Cad Grill Cart CAD1-48 |
| ③ | Shelf Accessories - Optional Side Shelf - CAD1-SK Bamboo Cutting Board AP-CBB |

| | |
|---|--|
| ① | 48" Grill with Side Burner Models: BH1-48RS-L (LPG), BH1-48RS-N (NG) |
| ② | 48" Cad Grill Cart CAD1-48 |
| ③ | Shelf Accessories - Optional Side Shelf - CAD1-SK Bamboo Cutting Board AP-CBB |

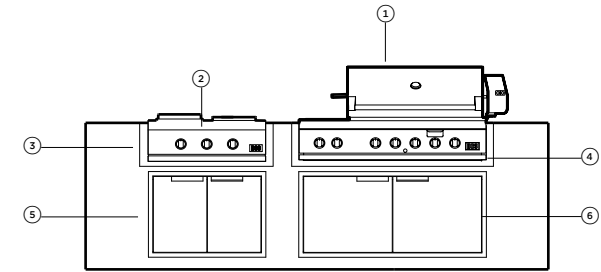
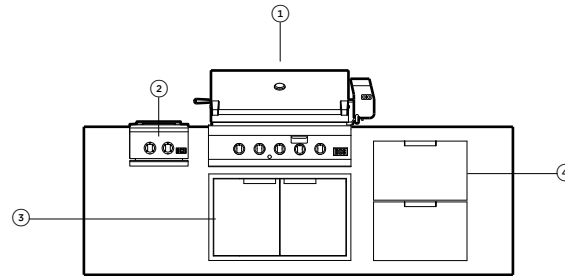
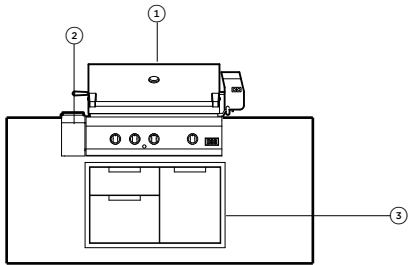
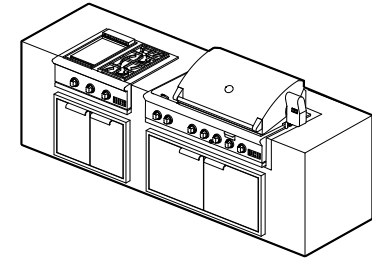
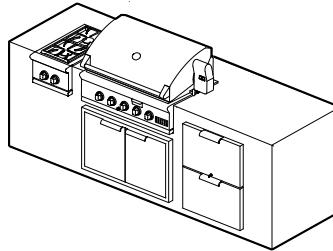
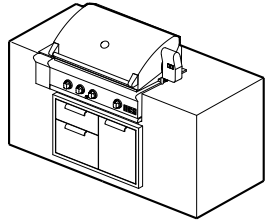
| | |
|---|---|
| ① | 36" Grill with Rotisserie and Smoker Tray Models: BH1-36R-L (LPG), BH1-36R-N (NG) |
| ② | 36" Cad Grill Cart CAD1-36 |
| ③ | Shelf Accessories - Optional Side Shelf - CAD1-SK Bamboo Cutting Board AP-CBB |

| | |
|---|---|
| ① | 30" All Grill Models: BH1-30R-L (LPG), BH1-30R-N (NG) |
| ② | 30" Cad Grill Cart CAD1-30 |
| ③ | Shelf Accessories - Optional Side Shelf - CAD1-SK Back Bar - CAD30-BB Bamboo Cutting Board AP-CBB |

NOTE: Any grill or 30" specialty cooking product with corresponding width to cart dimensions can be installed. Contact your DCS supplier for guidance.

The models shown in this Planning Guide may not be available in all markets and are subject to change at any time. Product specifications may vary from those shown. This Planning Guide should not be used as installation guidance for any product. Further information is required to safely and correctly install the products featured here. Specific installation guidance will be available on our website dcsappliances.com

DESIGN CHOICES | COMPACT CONFIGURATIONS



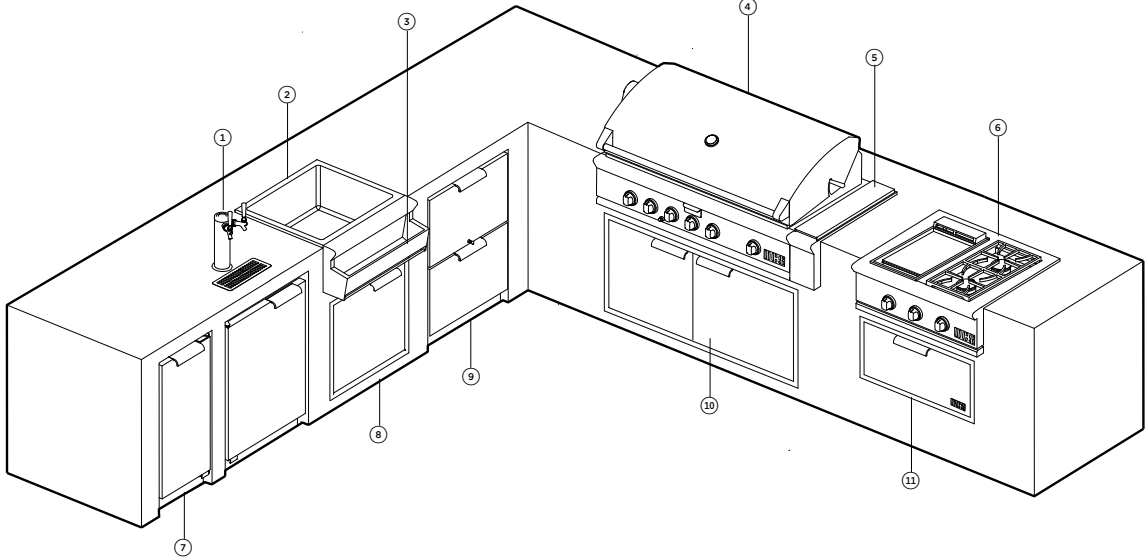
MODELS

| | | |
|---|---|--|
| <p>① 36" Grill with Rotisserie and Sear Burner Models: BHI-36RI-L (LPG), BHI-36RI-N (NG)</p> | <p>① 36" Grill with Rotisserie and Smoker Tray Models: BHI-36R-L (LPG), BHI-36R-N (NG)</p> | <p>① 48" Grill with Rotisserie, Side burner and Smoker Tray Models: BHI-48RS-L (LPG), BHI-48RS-N (NG)</p> |
| <p>② 6" Side Storage Unit ASH6-36</p> | <p>② 14" Double Side Burner Models: BGC132-BI-L (LPG), BGC132-BI (NG)</p> | <p>② 30" Griddle/Side Burner Models: BFGC-30BGD-L (LPG), BFGC-30BGD-N (NG)</p> |
| <p>③ 36" Access Drawers Built-in ADR2-36</p> | <p>③ 36" Access Doors Built-in ADNI-20X36</p> | <p>③ 30" Insulation Jacket BGB30-IJS</p> |
| | <p>④ 24" Outdoor Refrigerator Drawers RF24DE4</p> | <p>④ 48" Insulation Jacket BGA48-IJS</p> |
| | | <p>⑤ 30" Access Drawers Built-in ADNI-20X30</p> |
| | | <p>⑥ 48" Access Doors Built-in ADNI-20X48</p> |

NOTE: Multiple grill and storage configurations are available.

The models shown in this Planning Guide may not be available in all markets and are subject to change at any time. Product specifications may vary from those shown. This Planning Guide should not be used as installation guidance for any product. Further information is required to safely and correctly install the products featured here. Specific installation guidance will be available on our website dcsappliances.com

DESIGN CHOICES | MEDIUM OUTDOOR KITCHEN



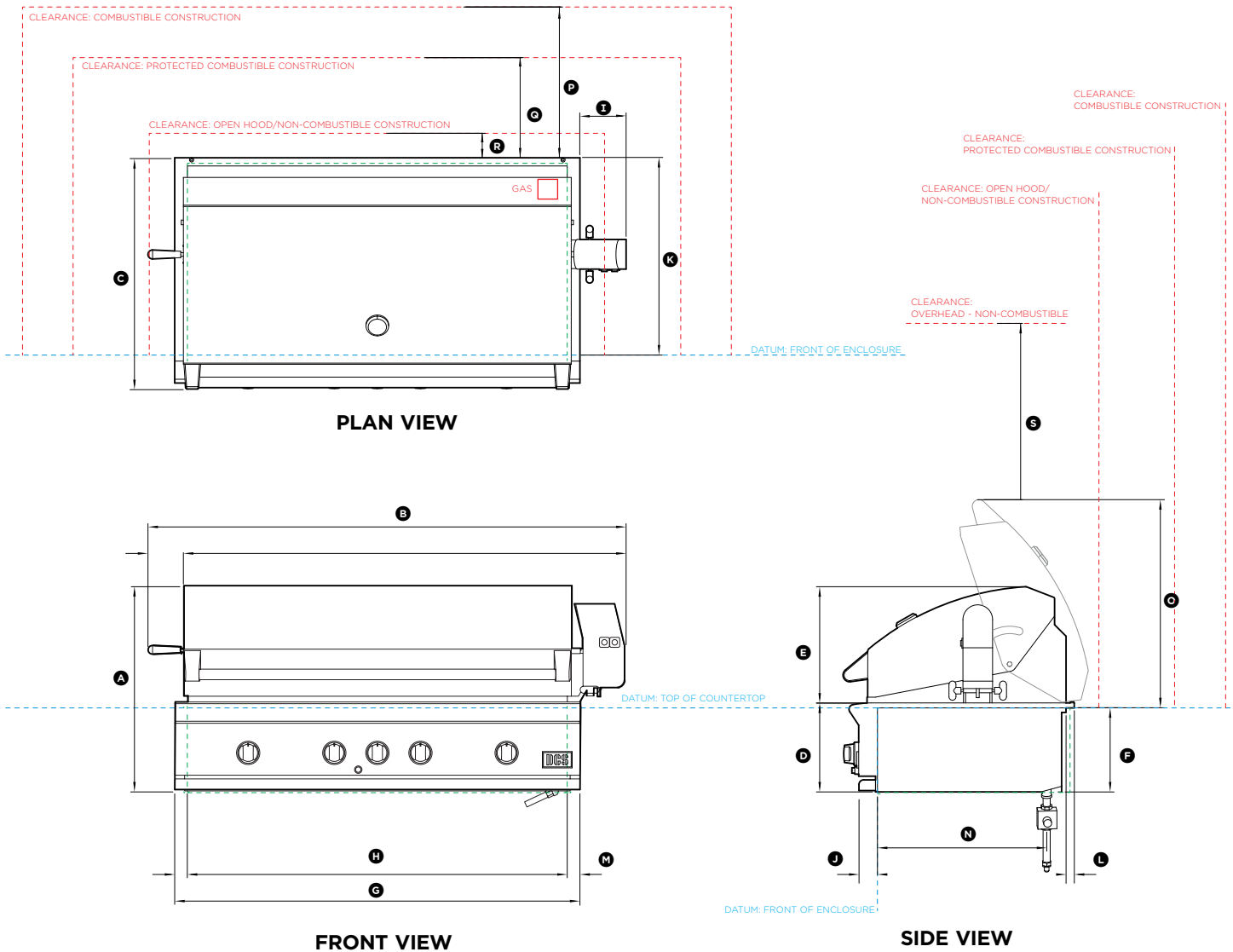
MODELS

| | | |
|---|--|---|
| ① 24" Outdoor Dual Tap Beer Dispenser RF24BTR2 | ⑤ 6" Side Storage Unit ASH6-48 | ⑨ 24" Outdoor Refrigerator Drawers RF24DE4 |
| ② 25" Beverage Chiller/Sink BC25 | ⑥ 30" Griddle/Side Burner Models: BFGC-30BGD-L (LPG), BFGC-30BGD-N (NG) | ⑩ 48" Access Doors ADN1-20X48 |
| ③ Bottle Holder Accessory BC-BTTLEAC-25 | ⑦ 15" Outdoor Ice Machine Models: RF15IL3 (left hand opening), RF15IR3 (right hand opening) | ⑪ 30" Outdoor Warming Drawer WD1-30-SSOD |
| ④ 48" Grill with Rotisserie, Sear Burner and Smoker Tray Models: BH1-48RI-L (LPG), BH1-48RI-N (NG) | ⑧ 24" Access Door ADN1-20X24 | |

NOTE: Multiple grill, cooler and storage configurations are available.

The models shown in this Planning Guide may not be available in all markets and are subject to change at any time. Product specifications may vary from those shown. This Planning Guide should not be used as installation guidance for any product. Further information is required to safely and correctly install the products featured here. Specific installation guidance will be available on our website dcsappliances.com

DATA SHEETS



Model no:

BH1-48RI-N, BH1-48RI-L, BH1-48R-N, BH1-48R-L

Product Dimensions

| | | mm |
|---|--|----------------|
| Ⓐ | Overall height | 24 1/4" 616 |
| Ⓑ | Overall width including rotisserie motor | 59 1/16" 1436 |
| Ⓒ | Overall depth | 27 5/16" 694 |
| Ⓓ | Height of chassis including flange | 10 1/2" 267 |
| Ⓔ | Height of chassis from top of hood to flange | 13 3/4" 349 |
| Ⓕ | Height of chassis below flange | 9 15/16" 253 |
| Ⓖ | Width of control panel | 47 15/16" 1217 |
| Ⓗ | Width of chassis inside enclosure | 44 7/8" 1140 |
| Ⓙ | Rotisserie motor depth | 5 1/2" 139 |
| Ⓚ | Control panel depth | 22 3/16" 55 |
| Ⓛ | Front of chassis (proud) to rear flange | 23 5/16" 592 |
| Ⓛ | Depth of rear flange | 1" 25 |
| Ⓜ | Width of side flanges | 1 9/16" 39 |
| Ⓝ | Front of chassis to gas outlet | 20 1/16" 509 |
| Ⓞ | Height of open hood to top of counter-top | 23 3/4" 618 |

Minimum Clearances

| | | |
|---|---|---------|
| Ⓟ | Clearance to combustible construction | 18" 457 |
| Ⓠ | Clearance to protected combustible construction | 12" 305 |
| Ⓡ | Clearance to non-combustible construction | 3" 76 |
| Ⓢ | Minimum clearance top of open hood to non-combustible surface | 24" 610 |

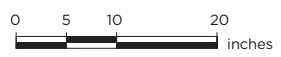
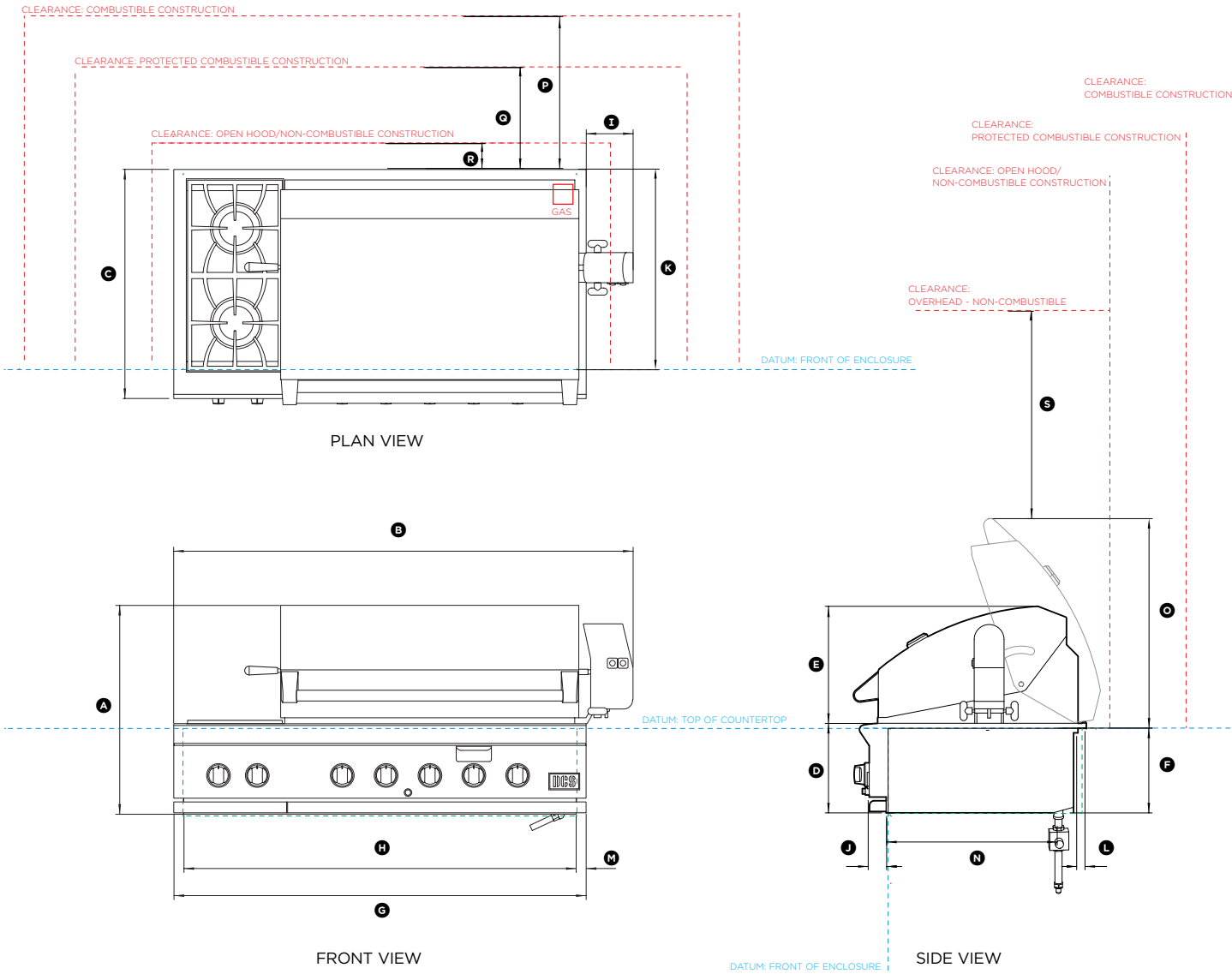
NOTE: Do not install under unprotected combustible or protected combustible construction without using a fire safe ventilation system As per UL 507 and CSA C22.2 No 60335-2-31.

If the grill is to be placed into a combustible enclosure, an approved insulated jacket is necessary. Use only the DCS insulated jacket which has specifically been designed and tested for this purpose.

48" Insulated jacket model number: BGA48-IJS

INDICATES CABINETRY / PRODUCT DATUM
 INDICATES CABINETRY CLEARANCES - - - - -

IMPORTANT NOTE: Throughout this guide, dimensions may vary by ±2mm (1/16"). Please read the Installation Guide for detailed information on installing the product. For full installation instructions visit dcsappliances.com



Model no:
BH148RS

| Product Dimensions | | mm | |
|--|-----------|------|--|
| Ⓐ Overall height | 24 1/4" | 616 | |
| Ⓑ Overall width including rotisserie motor | 59 1/16" | 1436 | |
| Ⓒ Overall depth | 27 5/16" | 694 | |
| Ⓓ Height of chassis including flange | 10 1/2" | 267 | |
| Ⓔ Height of chassis from top of hood to flange | 13 3/4" | 349 | |
| Ⓕ Height of chassis below flange | 9 15/16" | 253 | |
| Ⓖ Width of control panel | 47 15/16" | 1217 | |
| Ⓜ Width of chassis inside enclosure | 44 7/8" | 1140 | |
| Ⓣ Rotisserie motor depth | 5 1/2" | 139 | |
| Ⓝ Control panel depth | 22 3/16" | 55 | |
| Ⓚ Front of chassis (proud) to rear flange | 23 5/16" | 592 | |
| Ⓛ Depth of rear flange | 1" | 25 | |
| Ⓜ Width of side flanges | 1 9/16" | 39 | |
| Ⓝ Front of chassis to gas outlet | 20 1/16" | 509 | |
| Ⓞ Height of open hood to top of counter-top | 23 3/4" | 618 | |

| Minimum Clearances | | mm | |
|--|-----|-----|--|
| Ⓟ Clearance to combustibles construction | 18" | 457 | |
| Ⓞ Clearance to protected combustibles construction | 12" | 305 | |
| Ⓡ Clearance to non-combustibles construction | 3" | 76 | |
| Ⓢ Minimum clearance top of open hood to non-combustibles surface | 24" | 610 | |

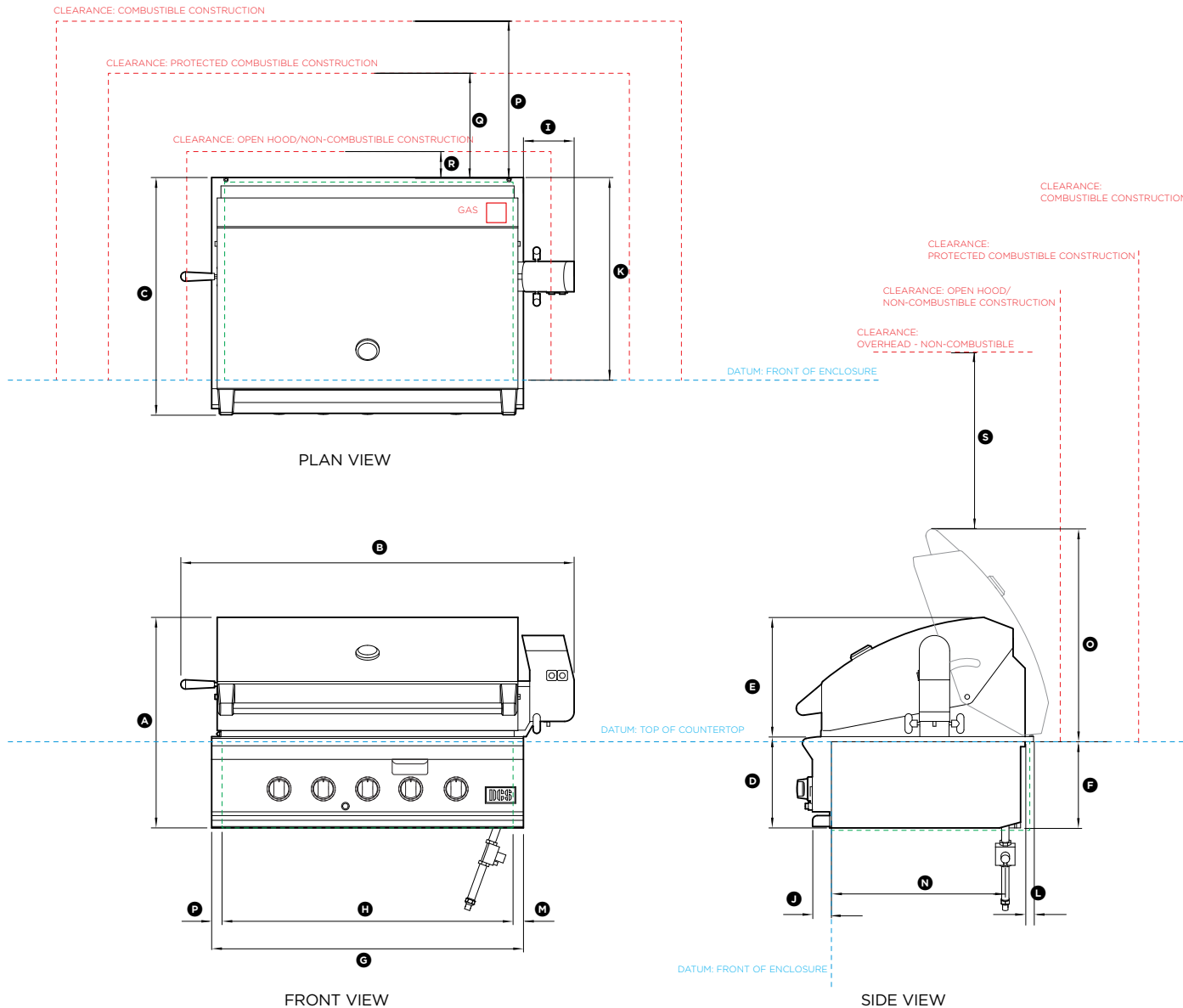
NOTE: Do not install under unprotected combustibles or protected combustibles construction without using a fire safe ventilation system As per UL 507 and CSA C22.2 No 60335-2-31.

If the grill is to be placed into a combustibles enclosure, an approved insulated jacket is necessary. Use only the DCS insulated jacket which has specifically been designed and tested for this purpose.

48" Insulated jacket model number: BGA48-IJS

INDICATES CABINETRY / PRODUCT DATUM
INDICATES CABINETRY CLEARANCES

IMPORTANT NOTE: Throughout this guide, dimensions may vary by ±2mm (1/16"). Please read the Installation Guide for detailed information on installing the product. For full installation instructions visit dcsappliances.com



Model no:

BH1-36RI-N, BH1-36RI-L, BH1-36R-N and BH1-36R-L

Product Dimensions

| | | mm |
|---|--|---------------|
| Ⓐ | Overall height (excluding lid) | 24 1/4" 616 |
| Ⓑ | Overall width including rotisserie motor | 45 5/16" 1151 |
| Ⓒ | Overall depth | 27 5/16" 694 |
| Ⓓ | Height of chassis including flange | 10 1/2" 267 |
| Ⓔ | Height of chassis from top of hood to flange | 13 3/4" 349 |
| Ⓕ | Height of chassis below flange | 9 15/16" 253 |
| Ⓖ | Width of control panel | 35 15/16" 912 |
| Ⓗ | Width of Chassis inside enclosure | 33 11/16" 855 |
| Ⓘ | Rotisserie motor depth | 5 13/16" 148 |
| Ⓙ | Control panel depth | 2 3/16" 55 |
| Ⓚ | Front of cabinet (proud) to rear flange | 23 5/16" 592 |
| Ⓛ | Depth of rear flange | 1" 25 |
| Ⓜ | Width of side flanges | 1 3/16" 29.5 |
| Ⓝ | Front of chassis to gas outlet | 20 1/16" 509 |
| Ⓞ | Height of open hood to top of counter-top | 24 5/16" 618 |

Minimum Clearances

| | | | |
|---|---|-----|-----|
| Ⓐ | Clearance to combustible construction | 18" | 457 |
| Ⓑ | Clearance to protected combustible construction | 12" | 305 |
| Ⓒ | Clearance to non-combustible construction | 3" | 76 |
| Ⓓ | Minimum clearance top of open hood to non-combustible surface | 24" | 610 |

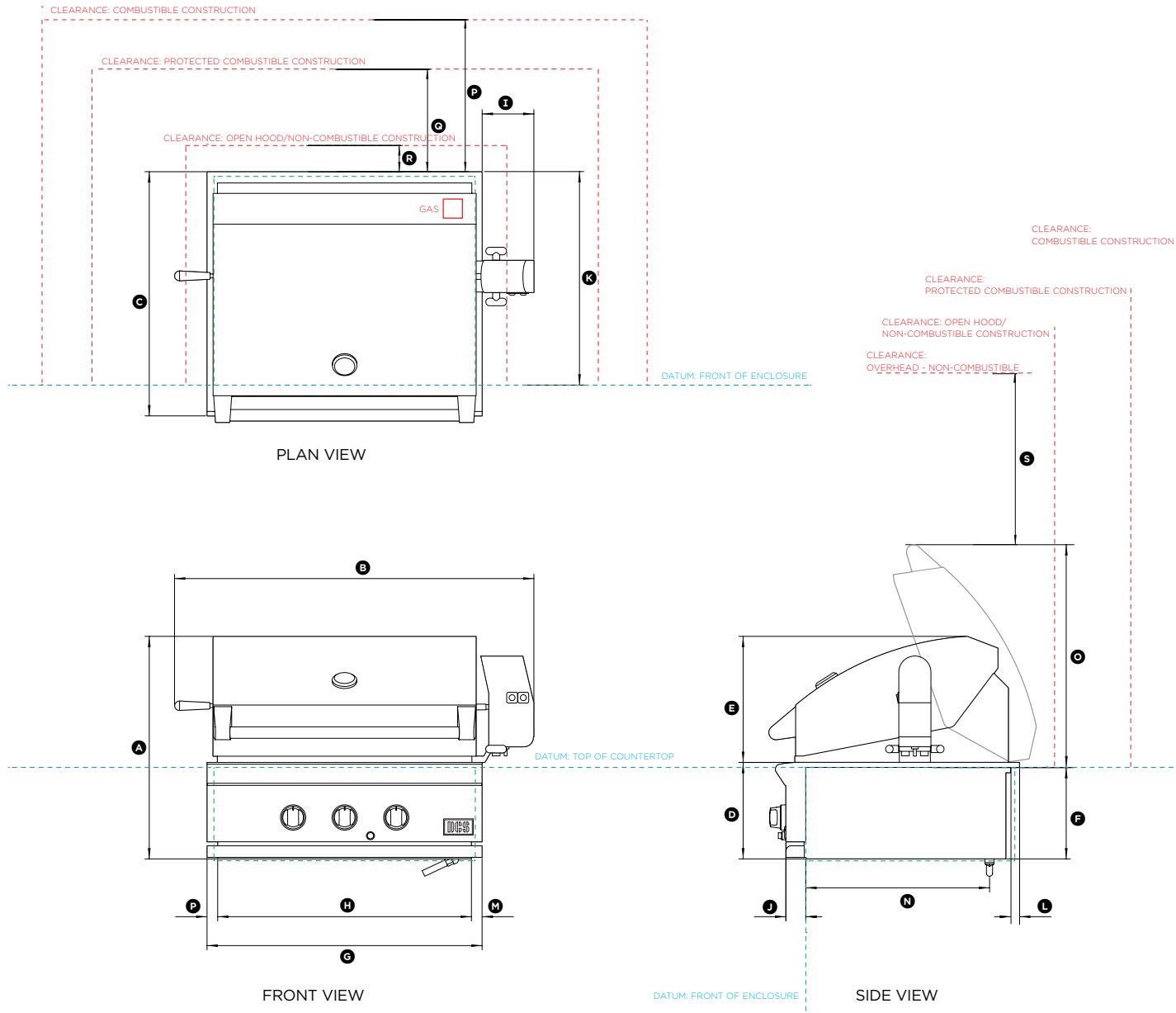
NOTE: Do not install under unprotected combustible or protected combustible construction without using a fire safe ventilation system As per UL 507 and CSA C22.2 No 60335-2-31.

If the grill is to be placed into a combustible enclosure, an approved insulated jacket is necessary. Use only the DCS insulated jacket which has specifically been designed and tested for this purpose.

36" Insulated jacket model number: BGA36-IJS

INDICATES CABINETRY / PRODUCT DATUM -----
 INDICATES CABINETRY CLEARANCES - - - - -

IMPORTANT NOTE: Throughout this guide, dimensions may vary by ±2mm (1/16"). Please read the Installation Guide for detailed information on installing the product. For full installation instructions visit dcsappliances.com



Model no:
BH1-30R-N and BH1-30R-L

| Product Dimensions | | mm | |
|--------------------|--|-----------|------|
| A | Overall height (excluding lid) | 24 1/4" | 616 |
| B | Overall width including rotisserie motor | 39 3/16" | 996 |
| C | Overall depth | 26 5/8" | 676 |
| D | Height of chassis including flange | 10 1/2" | 267 |
| E | Height of chassis from top of hood to flange | 13 3/4" | 349 |
| F | Height of chassis below flange | 9 15/16" | 253 |
| G | Width of control panel | 30" | 762 |
| H | Width of Chassis inside enclosure | 27 11/16" | 703 |
| I | Rotisserie motor depth | 5 5/16" | 144 |
| J | Control panel depth | 2 3/16" | 55 |
| K | Front of cabinet (proud) to rear flange | 23 5/16" | 592 |
| L | Depth of rear flange | 1" | 25 |
| M | Width of side flanges | 1 3/16" | 29.5 |
| N | Front of chassis to gas outlet | 20 1/16" | 509 |
| O | Height of open hood to top of counter-top | 24 5/16" | 618 |

| Minimum Clearances | | | |
|--------------------|---|-----|-----|
| P | Clearance to combustible construction | 18" | 457 |
| Q | Clearance to protected combustible construction | 12" | 305 |
| R | Clearance to non-combustible construction | 3" | 76 |
| S | Minimum clearance top of open hood to non-combustible surface | 24" | 610 |

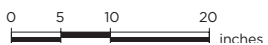
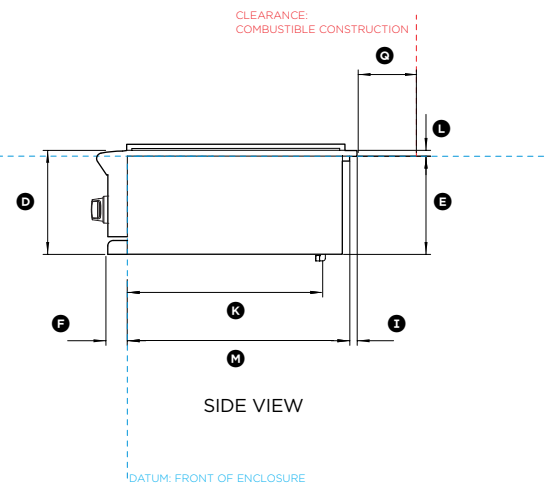
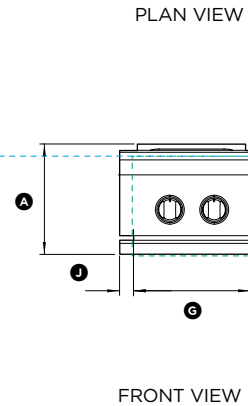
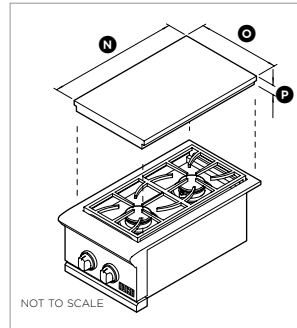
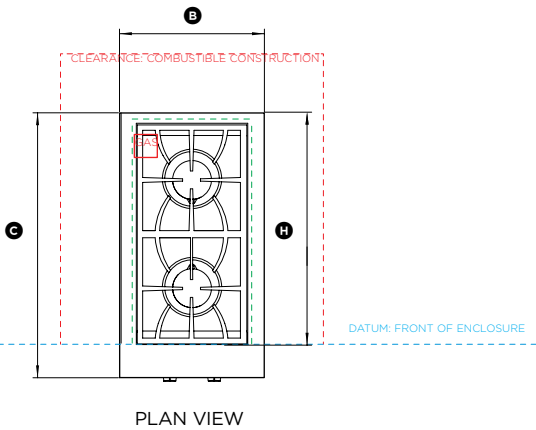
NOTE: Do not install under unprotected combustible or protected combustible construction without using a fire safe ventilation system As per UL 507 and CSA C22.2 No 60335-2-31.

If the grill is to be placed into a combustible enclosure, an approved insulated jacket is necessary. Use only the DCS insulated jacket which has specifically been designed and tested for this purpose.

36" Insulated jacket model number: BGA36-IJS

INDICATES CABINETRY / PRODUCT DATUM -----
INDICATES CABINETRY CLEARANCES - - - - -

IMPORTANT NOTE: Throughout this guide, dimensions may vary by ±2mm (1/16"). Please read the Installation Guide for detailed information on installing the product. For full installation instructions visit dcsappliances.com



Model no:
BGC132-BI

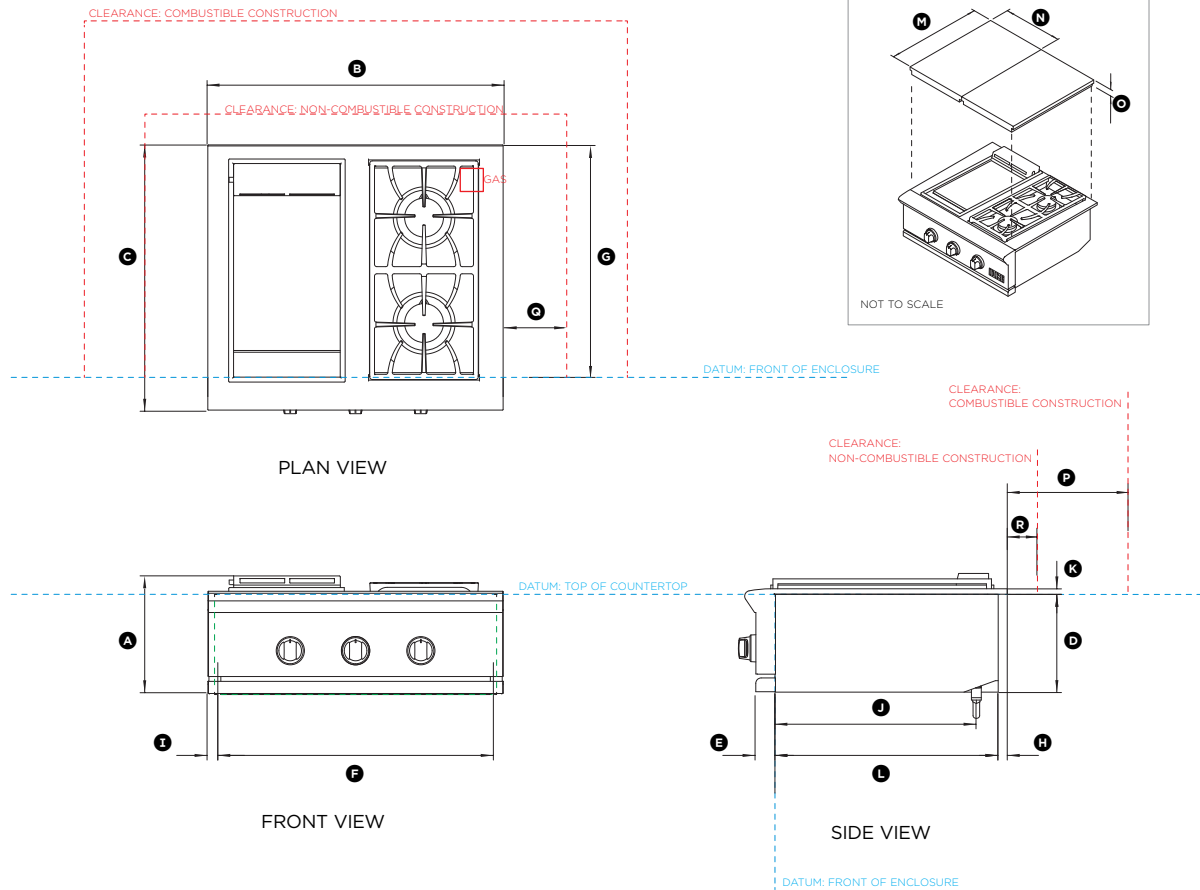
| Product Dimensions | | mm |
|---|-----------|-----|
| Ⓐ Overall height | 11 3/4" | 285 |
| Ⓑ Overall width | 14 11/16" | 373 |
| Ⓒ Overall depth (excluding dials) | 26 7/8" | 683 |
| Ⓓ Height of chassis including flange | 10 5/8" | 268 |
| Ⓔ Height of chassis below flange | 9 15/16" | 253 |
| Ⓕ Control panel depth | 2 3/16" | 55 |
| Ⓖ Width of Chassis inside enclosure | 11 7/8" | 301 |
| Ⓗ Front of cabinet (proud) to rear flange | 11 1/4" | 286 |
| Ⓘ Depth of rear flange | 3/4" | 19 |
| Ⓝ Width of side flanges | 1 7/6" | 36 |
| Ⓚ Front of chassis to gas outlet | 20 1/16" | 509 |
| Ⓛ Height of flange | 19/32" | 15 |
| Ⓜ Depth of chassis | 22 9/16" | 573 |
| Ⓝ Depth of lid | 23" | 585 |
| Ⓞ Width of lid | 14 3/8" | 365 |
| Ⓟ Height of lid | 1 11/16" | 43 |

Minimum Clearances

| | | |
|---|----|-----|
| Ⓞ Clearance to surfaces above counter-top at rear and sides | 6" | 152 |
|---|----|-----|

INDICATES CABINETRY / PRODUCT DATUM -----
INDICATES CABINETRY CLEARANCES - - - - -

IMPORTANT NOTE: Throughout this guide, dimensions may vary by ±2mm (1/16"). Please read the Installation Guide for detailed information on installing the product. For full installation instructions visit dcsappliances.com



Model no:
BFGC-30BGD

| Product Dimensions | | mm |
|--------------------|---|---------------|
| Ⓐ | Overall height | 12" 305 |
| Ⓑ | Overall width | 30" 762 |
| Ⓒ | Overall depth (excluding dials) | 26 7/8" 683 |
| Ⓓ | Height of chassis below flange | 9 15/16" 252 |
| Ⓔ | Control panel depth | 2" 51 |
| Ⓕ | Width of chassis inside enclosure | 27 13/16" 707 |
| Ⓖ | Front of cabinet (proud) to rear flange | 23 1/2" 597 |
| Ⓗ | Depth of rear flange | 7/8" 22 |
| Ⓙ | Width of side flanges | 1 1/16" 27.5 |
| Ⓚ | Front of chassis to gas outlet | 20 1/32" 509 |
| Ⓛ | Height of flange | 9/16" 14 |
| Ⓛ | Depth of chassis | 22 9/16" 573 |
| Ⓜ | Depth of lids (left and right) | 23" 584 |
| Ⓝ | Width of lids (left and right) | 14 3/8" 365 |
| Ⓞ | Height of lids (left and right) | 1 11/16" 43 |

Minimum Clearances

| | | |
|---|---|---------|
| Ⓟ | Clearance to combustible construction above counter top at rear and sides | 12" 305 |
| Ⓠ | Clearance to non-combustible construction above counter top at sides | 6" 152 |
| Ⓡ | Clearance to non-combustible construction above counter top at rear | 6" 152 |

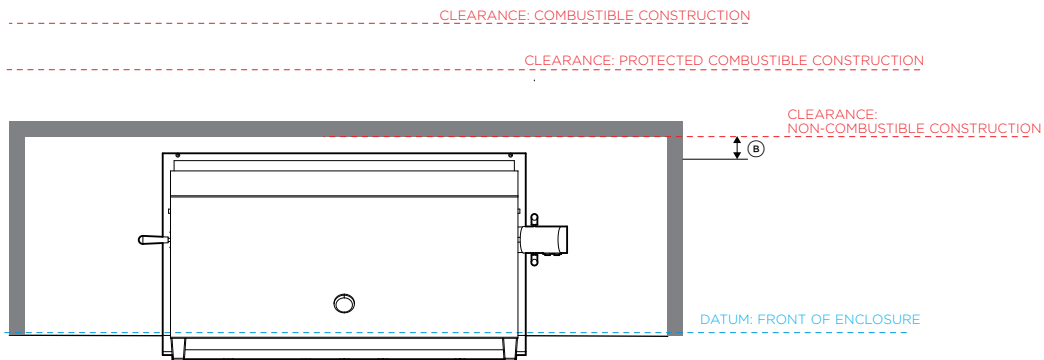
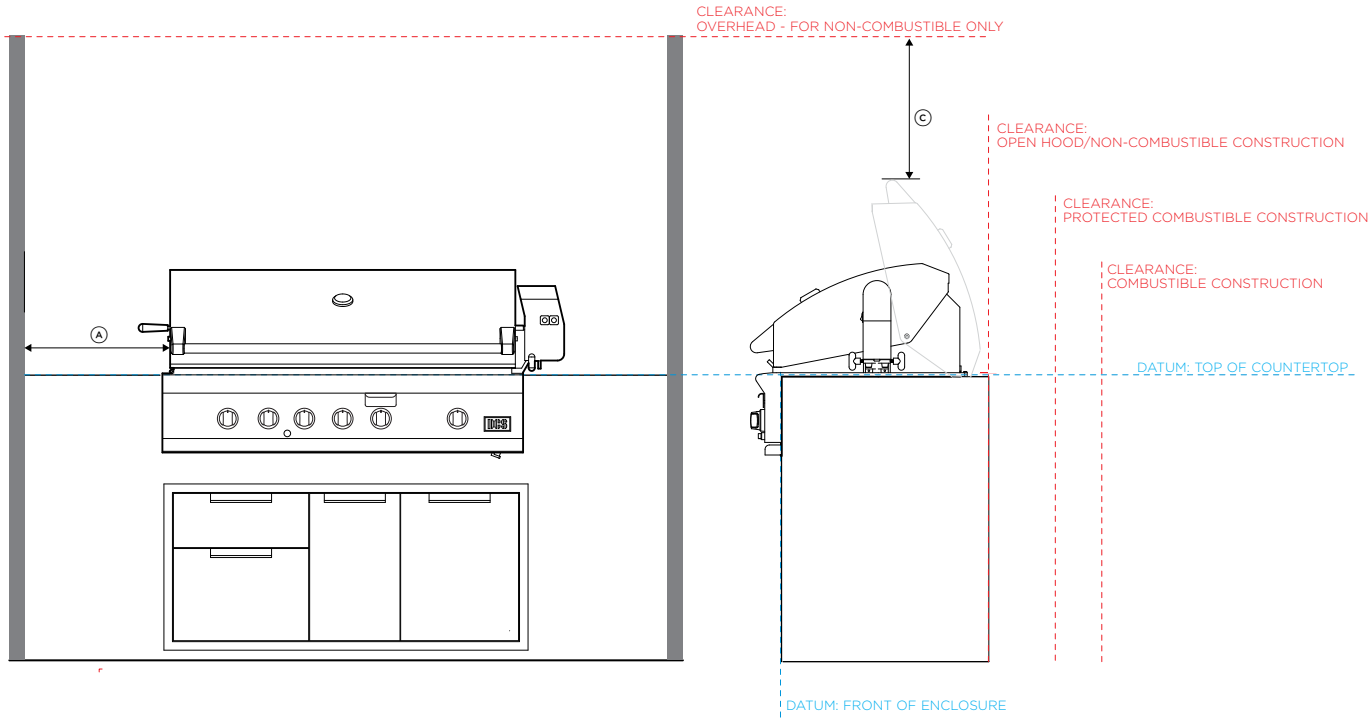
NOTE: If the griddle is to be placed into a combustible enclosure, an approved insulated jacket is necessary. Use only the DCS insulated jacket which has specifically been designed and tested for this purpose.
30" insulated jacket model number: BGB30-IJS

INDICATES CABINETSRY / PRODUCT DATUM -----
INDICATES CABINETSRY CLEARANCES - - - - -

IMPORTANT NOTE: Throughout this guide, dimensions may vary by ±2mm (1/16"). Please read the Installation Guide for detailed information on installing the product. For full installation instructions visit dcsappliances.com



PLANNING CONSIDERATIONS



Model no:

BH1-48RI, BH1-48R, BH1-48RS, BH1-36RI, BH1-36R, BH1-30R

Product Dimensions

| Clearance to non-combustible* surfaces | | mm |
|--|---|---------|
| Ⓐ | Minimum clearance to sides | 6" 153 |
| Ⓑ | Minimum clearance to back | 3" 76 |
| Ⓒ | Minimum clearance top of open hood to surface | 24" 610 |

Clearance to combustible** surfaces

| | | |
|---|----------------------------|---------|
| Ⓐ | Minimum clearance to sides | 18" 457 |
| Ⓑ | Minimum clearance to back | 18" 457 |

Clearance to protected*** combustible surfaces

| | | |
|---|----------------------------|---------|
| Ⓐ | Minimum clearance to sides | 12" 305 |
| Ⓑ | Minimum clearance to back | 12" 305 |

* Non-combustible materials are materials that are not capable of being ignited and burned consisting entirely of steel, iron, brick tile, concrete, slate and plaster.

** Combustible materials include any decorative or structural material made of wood, compressed paper, plant fibres, vinyl, plastic or other materials that are capable of transferring heat or being ignited or burned. Such materials are considered combustible even if flame proofed, fire retardant treated, surface painted or plastered. Clearances from combustible materials of minimum 18" (457mm) apply to the internal carcass of the cabinet if an insulation jacket is not used.

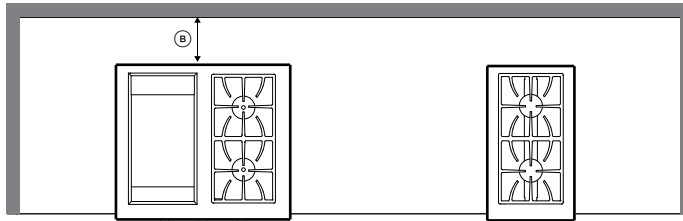
*** Protected combustible surfaces have a non-combustible material (minimum 4" or 102mm) in front of or covering combustible material.

NOTE: Do not install under unprotected combustible or protected combustible construction without using a fire safe ventilation system As per UL 507 and CSA C22.2 No 60335-2-31.

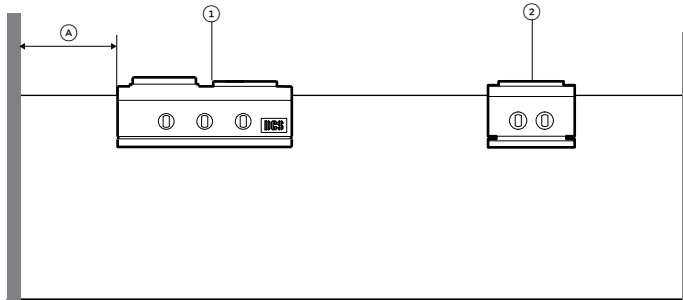
INDICATES CABINETSRY / PRODUCT DATUM -----
 INDICATES CABINETSRY CLEARANCES - - - - -

IMPORTANT NOTE: Throughout this guide, dimensions may vary by ±2mm (1/16"). Please read the Installation Guide for detailed information on installing the product. For full installation instructions visit dcsappliances.com

TOP VIEW



FRONT VIEW



Product Dimensions

Model no:

① 30" Griddle/Side burner GDSBH1-30

Clearance to non-combustible* surfaces above counter top mm

Ⓐ Minimum clearance to sides 6" 152

Ⓑ Minimum clearance to back 3" 76

Clearance to combustible** surfaces above counter top

Ⓐ Minimum clearance to sides 12" 305

Ⓑ Minimum clearance to back 12" 305

Model no:

② 14" Specialty Cooking BGC132-BI

Clearance to combustible** surfaces above counter top

Ⓐ Minimum clearance to sides 6" 152

Ⓑ Minimum clearance to back 6" 152

* Non-combustible materials are materials that are not capable of being ignited and burned consisting entirely of steel, iron, brick tile, concrete, slate and plaster.

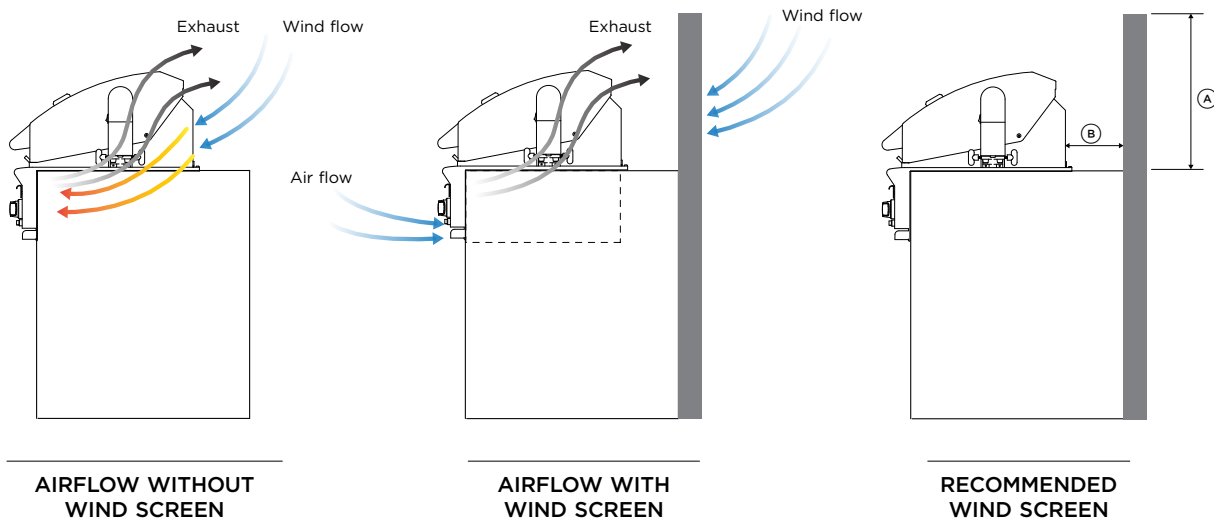
** Combustible materials include any decorative or structural material made of wood, compressed paper, plant fibres, vinyl, plastic or other materials that are capable of transferring heat or being ignited or burned. Such materials are considered combustible even if flame proofed, fire retardant treated, surface painted or plastered. Clearances from combustible materials of minimum 18" (457mm) apply to the internal carcass of the cabinet if an insulation jacket is not used.

*** Protected combustible surfaces have a non-combustible material (minimum 4" or 102mm) in front of or covering combustible material.

INDICATES CABINETRY / PRODUCT DATUM -----
 INDICATES CABINETRY CLEARANCES - - - - -

IMPORTANT NOTE: Throughout this guide, dimensions may vary by ±2mm (1/16"). Please read the Installation Guide for detailed information on installing the product. For full installation instructions visit dcsappliances.com

Wind hitting the grill while in use, (especially wind blowing into or across the hood gap) can cause poor performance. In some cases wind can cause the control panel to get hot. If wind is an issue, a windscreen should be added.



Wind protection Dimensions

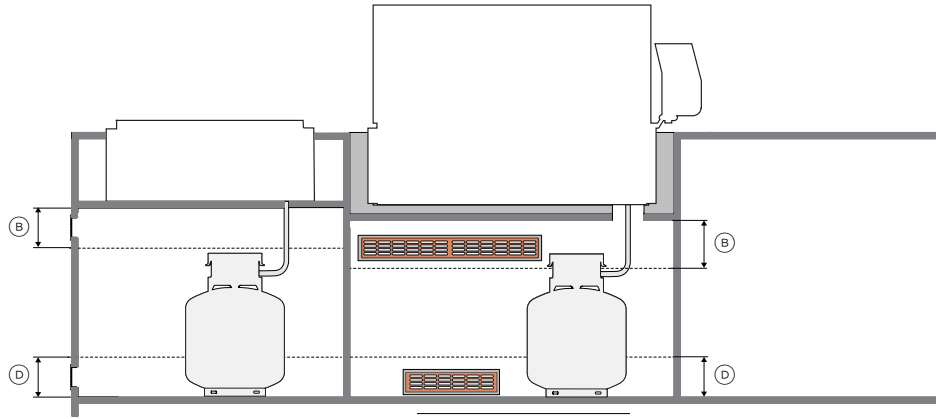
| | | mm |
|---------------------------------------|---------|-----|
| Ⓐ Minimum windscreen height | 18 3/4" | 476 |
| Clearance to combustible surfaces | | |
| Ⓑ Minimum clearance to back | 18" | 457 |
| Clearance to non-combustible surfaces | | |
| Ⓒ Minimum clearance to back | 3" | 76 |

NOTE: Wind hitting the grill while in use, (especially wind blowing into or across the hood gap) can cause poor performance and in some cases can cause the control panel to get hot. If wind is an issue, a windscreen should be added.

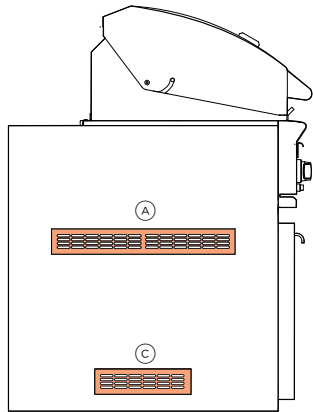
INDICATES CABINETRY / PRODUCT DATUM -----
 INDICATES CABINETRY CLEARANCES - - - - -

IMPORTANT NOTE: Throughout this guide, dimensions may vary by ±2mm (1/16"). Please read the Installation Guide for detailed information on installing the product. For full installation instructions visit dcsappliances.com

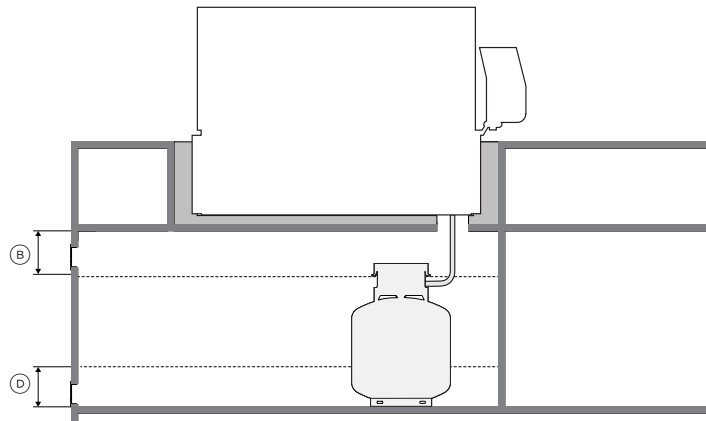
SPECIFICATIONS | VENTILATION REQUIREMENTS FOR LP CYLINDER ENCLOSURES



**SECTION VIEW
MULTIPLE TANKS**



SIDE VIEW



**SECTION SINGLE
TANK**

LP cylinder storage *ventilation requirements:

Ventilation Dimensions

| | | |
|---|-----------------------------------|---------------------|
| (A) Upper ventilation min free area** (1 ^{1/2} per lb) | 20 ^{1/2} (20lb cylinder) | 129cm ² |
| (B) Upper ventilation openings must be installed within 5" (127mm) of the top of the enclosure and unobstructed. | 5" | 127mm |
| (C) Lower ventilation min free area** (1/2 ^{1/2} per lb) | 10 ^{1/2} (20lb cylinder) | 64.5cm ² |
| (D) Lower ventilation openings must be installed within 5" (127mm) of the bottom of the enclosure and unobstructed. | 5" | 127mm |

* Refer to ANSI Z21.58 Standard for Outdoor Cooking Gas Appliances, Section 4.6.2 Enclosures For Self Contained LP-Gas Supply Systems. Both upper and lower ventilation openings are required.

**Free area is the area within an opening unobstructed by grills or dampers when in operation. Every opening must be wide enough to fit a 3/16" (4.8mm) rod.

NOTE: At least one ventilation opening shall be provided on the exposed exterior side of the enclosure located within 5" (127mm) of the top of the enclosure and unobstructed. The opening(s) shall have a total free area of not less than 1^{1/2}/lb (14.2cm²/kg) of stored fuel capacity.

At least one ventilation opening shall be provided on the exposed exterior side of the enclosure 1" (25.4mm) or less from the floor level and shall have a total free area of not less than 1/2^{1/2}/lb (7.1cm²/kg) of stored fuel capacity. The upper edge shall be no more than 5" (127mm) above the floor level.

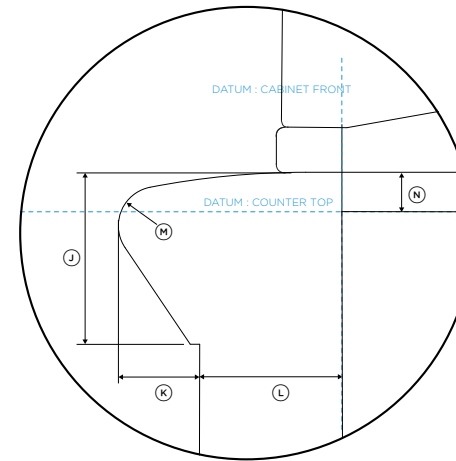
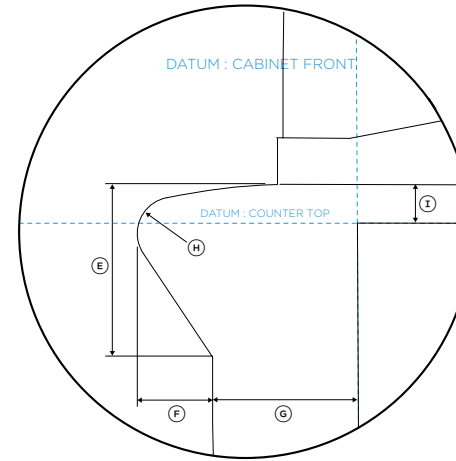
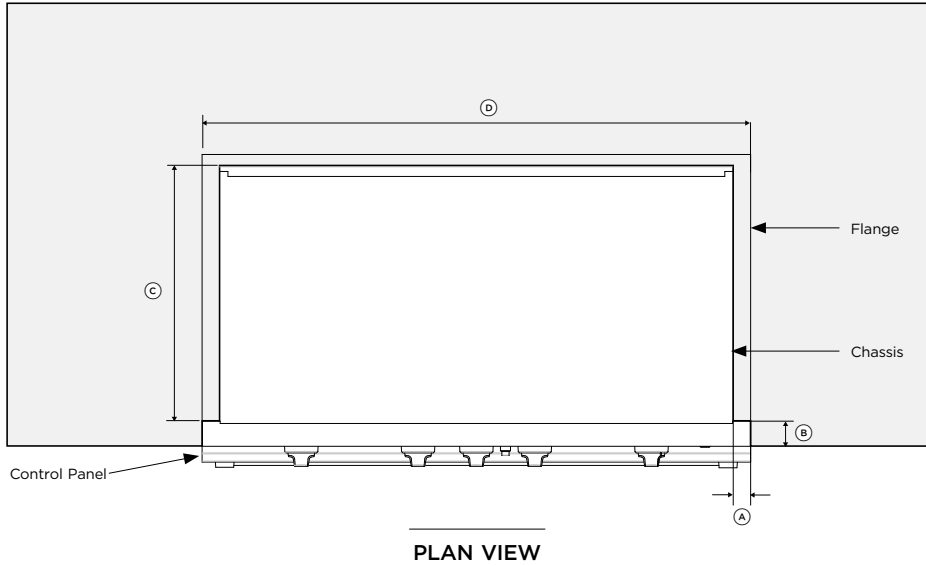
Every opening shall have a minimum dimension so as to permit the entrance of a 3/16" (4.8mm) rod.

INDICATES CABINETRY / PRODUCT DATUM -----
INDICATES CABINETRY CLEARANCES - - - - -

IMPORTANT NOTE: Throughout this guide, dimensions may vary by ±2mm (1/16"). Please read the Installation Guide for detailed information on installing the product. For full installation instructions visit dcsappliances.com

SPECIFICATIONS | BULL-NOSE EDGING GRILL DETAILS

Counter-tops with bull-nose edging or overhang require notching around the control panel of your grill. Ensure proper customization for a seamless fit.



Bull-nose Dimensions - Grill

| Non-combustible counter-top notch dimensions | in | mm |
|--|--------|------|
| Ⓐ Counter-top control panel notch | | |
| BH1-48RI, BH1-36RI, BH1-48R, BH1-36R, BH1-48RS, BH1-30R | 1 1/2" | 38.6 |
| Ⓑ Counter-top overhang dimensions vary according to counter-top design | | |
| Ⓒ See Cabinet Specifications pages for your product dimensions | | |
| Ⓓ See Cabinet Specifications pages for your product dimensions | | |

Grill bull-nose and control panel dimensions

| | | |
|----------------------------------|---------|------|
| Ⓔ Bull-nose height | 2 5/8" | 67 |
| Ⓕ Bull-nose to control panel | 1 1/8" | 29 |
| Ⓖ Control panel to cabinet front | 2 3/16" | 55.6 |
| Ⓙ Bull-nose diameter | 1 3/32" | 28 |
| Ⓚ Flange height | 9/16" | 14 |

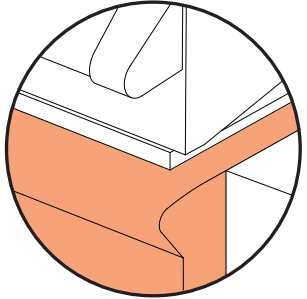
Bull-nose Dimensions - Specialty Cooking

| Specialty cooking bull-nose and control panel dimensions | | |
|--|----------|------|
| Ⓛ Bull-nose height | 2 13/32" | 61 |
| Ⓧ Bull-nose to control panel | 1 7/16" | 29 |
| Ⓝ Control panel to cabinet front | 2" | 50.5 |
| Ⓜ Bull-nose diameter | 1 3/32" | 28 |
| Ⓞ Flange height | 9/16" | 14 |

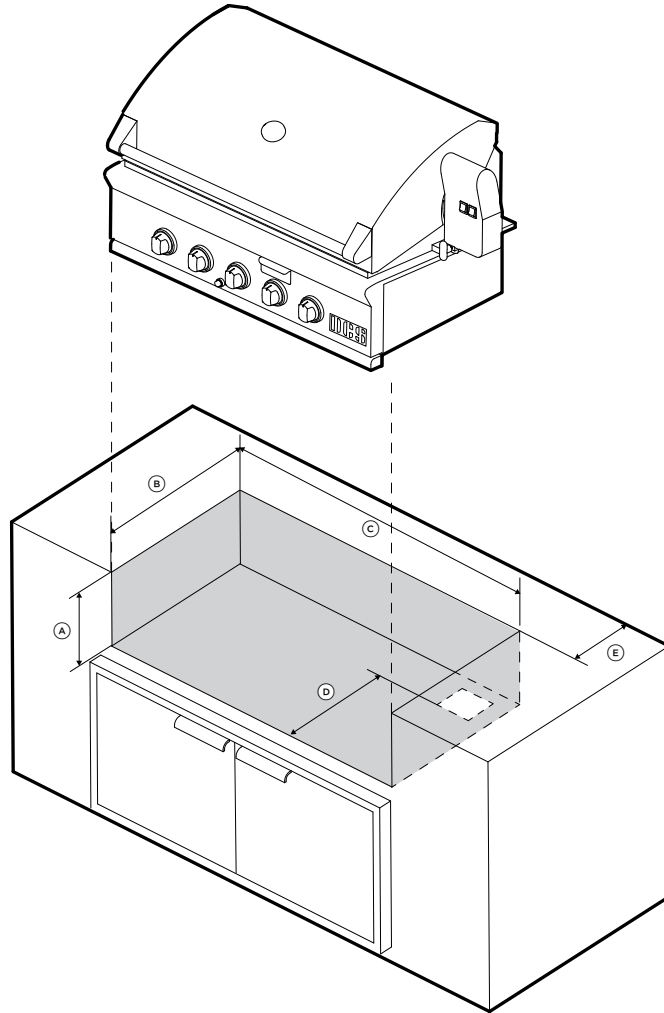
INDICATES CABINETRY / PRODUCT DATUM -----
 INDICATES CABINETRY CLEARANCES - - - - -

IMPORTANT NOTE: Throughout this guide, dimensions may vary by ±2mm (1/16"). Please read the Installation Guide for detailed information on installing the product. For full installation instructions visit dcsappliances.com

GRILL CABINET SPECIFICATIONS



NON-COMBUSTIBLE CABINET



ISO VIEW

Model no:

48" Grills - BH1-48RI, BH1-48R, BH1-48RS

Product Dimensions

| Non-combustible cabinetry | | mm |
|---------------------------|------------------------------|-------------------|
| A | Cavity height | 10 1/8" 257 |
| B | Cavity depth | 22 3/4" 578 |
| C | Cavity width | 45 3/4" 1162 |
| D | Depth to gas supply opening | 18 1/2" 470 |
| E | Minimum hood swing clearance | min 3 3/4" min 95 |

Model no: 36" Grills - BH1-36RI, BH1-36R

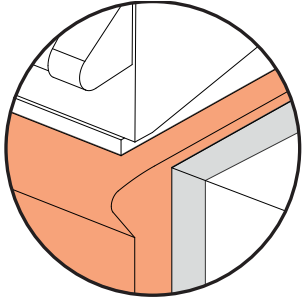
| Non-combustible cabinetry | | |
|---------------------------|------------------------------|-------------------|
| A | Cavity height | 10 1/8" 257 |
| B | Cavity depth | 22 3/4" 578 |
| C | Cavity width | 34 1/2" 876 |
| D | Depth to gas supply opening | 18 1/2" 470 |
| E | Minimum hood swing clearance | min 3 3/4" min 95 |

Model no: 30" Grill BH1-30R

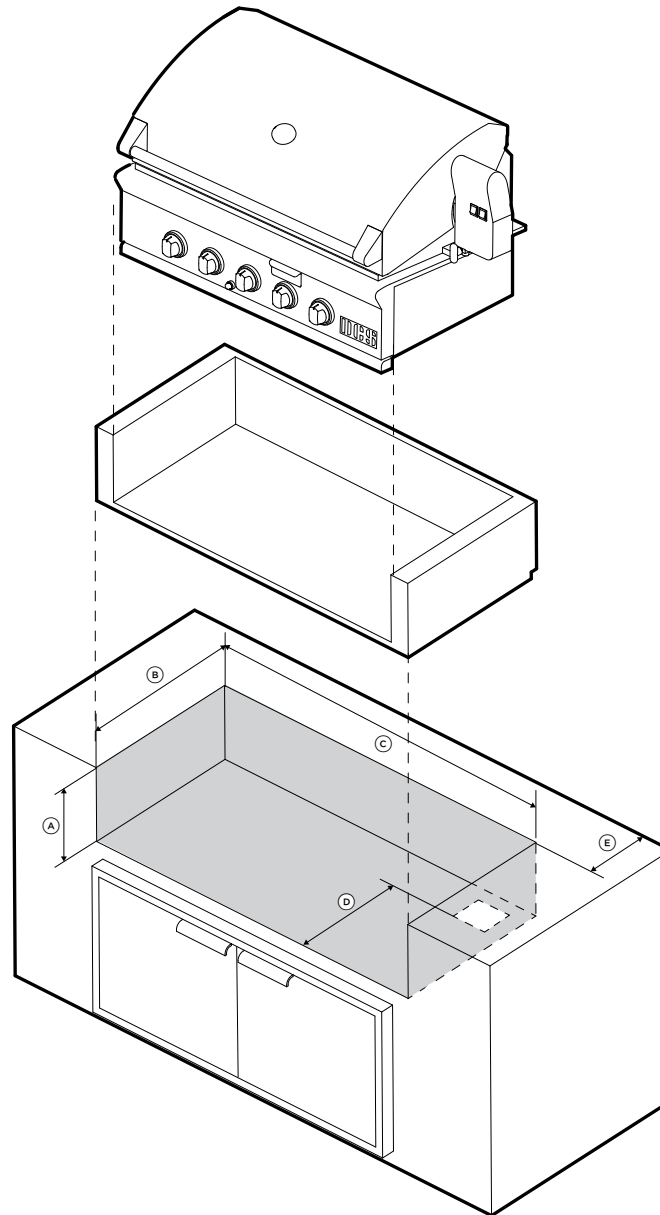
| Non-combustible cabinetry | | |
|---------------------------|------------------------------|-------------------|
| A | Cavity height | 10 1/8" 257 |
| B | Cavity depth | 22 3/4" 578 |
| C | Cavity width | 28 1/2" 724 |
| D | Depth to gas supply opening | 18 1/2" 470 |
| E | Minimum hood swing clearance | min 3 3/4" min 95 |

INDICATES CABINETRY / PRODUCT DATUM -----
 INDICATES CABINETRY CLEARANCES - - - - -

IMPORTANT NOTE: Throughout this guide, dimensions may vary by ±2mm (1/16"). Please read the Installation Guide for detailed information on installing the product. For full installation instructions visit dcsappliances.com



COMBUSTIBLE CABINET WITH INSULATION JACKET



ISO VIEW

Model no:

48" Grills - BH1-48RI, BH1-48R, BH1-48RS

Product Dimensions

Combustible cabinetry with insulation jacket

| | | |
|--------------------------------|---------|--------|
| Ⓐ Cavity height | 11 1/8" | 283 |
| Ⓑ Cavity depth | 23 3/4" | 603 |
| Ⓒ Cavity width | 51 7/8" | 1318 |
| Ⓓ Depth to gas supply opening | 18 1/2" | 470 |
| Ⓔ Minimum hood swing clearance | min 3" | min 76 |

Model no: 36" Grills - BH1-36RI, BH1-36R

Combustible cabinetry with insulation jacket

| | | |
|--------------------------------|--------------|--------|
| Ⓐ Cavity height | 11 1/8" | 283 |
| Ⓑ Cavity depth | 23 3/4" | 603 |
| Ⓒ Cavity width | 40 1/2" | 1029 |
| Ⓓ Depth to gas supply opening | 18 1/2" | 470 |
| Ⓔ Minimum hood swing clearance | min 2 27/32" | min 72 |

Model no: 30" Grill BH1-30R

Combustible cabinetry with insulation jacket

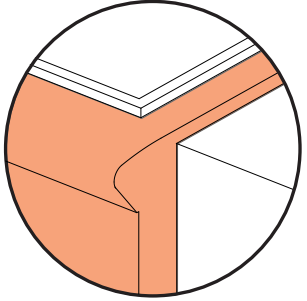
| | | |
|--------------------------------|--------------|--------|
| Ⓐ Cavity height | 11 1/8" | 283 |
| Ⓑ Cavity depth | 23 3/4" | 603 |
| Ⓒ Cavity width | 34 7/8" | 886 |
| Ⓓ Depth to gas supply opening | 18 1/2" | 470 |
| Ⓔ Minimum hood swing clearance | min 2 27/32" | min 72 |

INDICATES CABINETRY / PRODUCT DATUM -----
 INDICATES CABINETRY CLEARANCES - - - - -

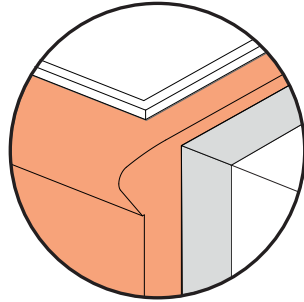
IMPORTANT NOTE: Throughout this guide, dimensions may vary by ±2mm (1/16"). Please read the Installation Guide for detailed information on installing the product. For full installation instructions visit dcsappliances.com

SPECIALTY COOKING CABINET SPECIFICATIONS

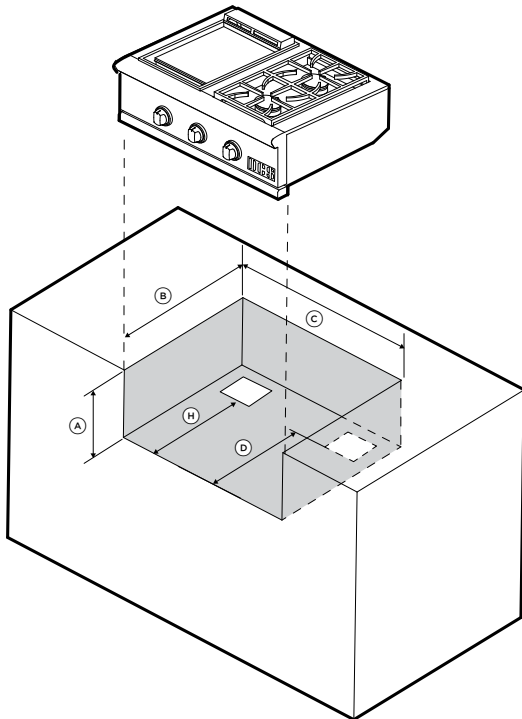
SPECIFICATIONS | **SPECIALTY COOKING INSTALLATION**



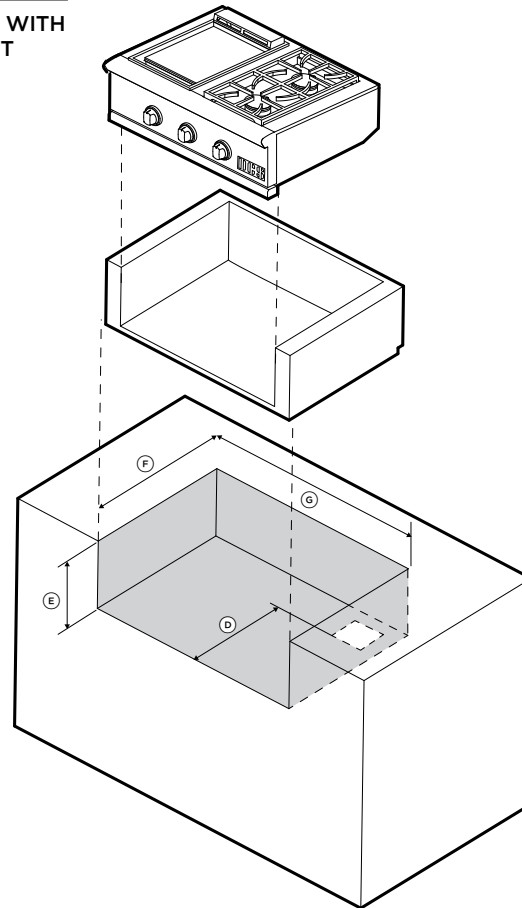
NON-COMBUSTIBLE CABINET



COMBUSTIBLE CABINET WITH INSULATION JACKET



ISO VIEW



ISO VIEW

Model no:
30" Specialty Cooking - BFGC-30BGD

Product Dimensions

| Non-combustible cabinetry | | mm |
|---------------------------------------|---------|-----|
| Ⓐ Cavity height | 10 1/8" | 257 |
| Ⓑ Cavity depth | 22 3/4" | 578 |
| Ⓒ Cavity width | 28 1/2" | 724 |
| Ⓓ Depth to gas supply opening (right) | 18 1/2" | 470 |

Combustible cabinet with insulation jacket

| | | |
|-----------------|---------|-----|
| Ⓔ Cavity height | 11 1/8" | 283 |
| Ⓕ Cavity depth | 23 3/4" | 603 |
| Ⓖ Cavity width | 34 7/8" | 886 |

Combustible cabinet with insulation jacket

| | | |
|-----------------|---------|-----|
| Ⓔ Cavity height | 11 1/8" | 283 |
| Ⓕ Cavity depth | 23 3/4" | 603 |
| Ⓖ Cavity width | 28 7/8" | 734 |

Model no:
14" Specialty Cooking - BGC132-BI

Non-combustible cabinetry

| | | |
|--------------------------------------|---------|-----|
| Ⓐ Cavity height | 10 1/8" | 257 |
| Ⓑ Cavity depth | 22 3/4" | 578 |
| Ⓒ Cavity width | 12 1/8" | 308 |
| Ⓓ Depth to gas supply opening (left) | 18 1/2" | 470 |

INDICATES CABINETRY / PRODUCT DATUM -----
INDICATES CABINETRY CLEARANCES - - - - -

IMPORTANT NOTE: Throughout this guide, dimensions may vary by ±2mm (1/16"). Please read the Installation Guide for detailed information on installing the product. For full installation instructions visit dcsappliances.com

