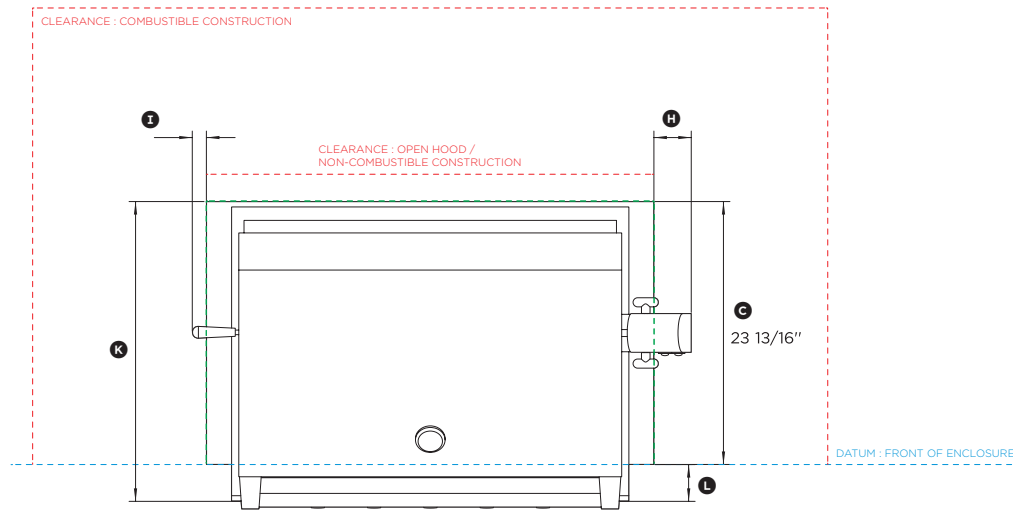
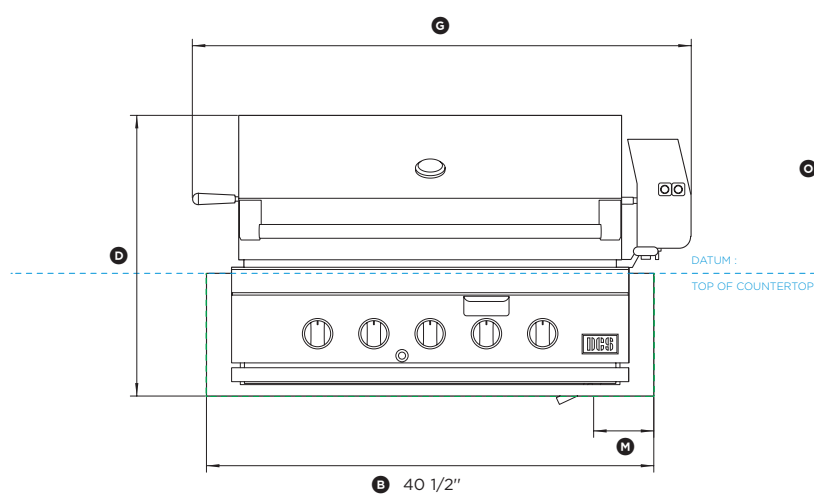


# Data sheet

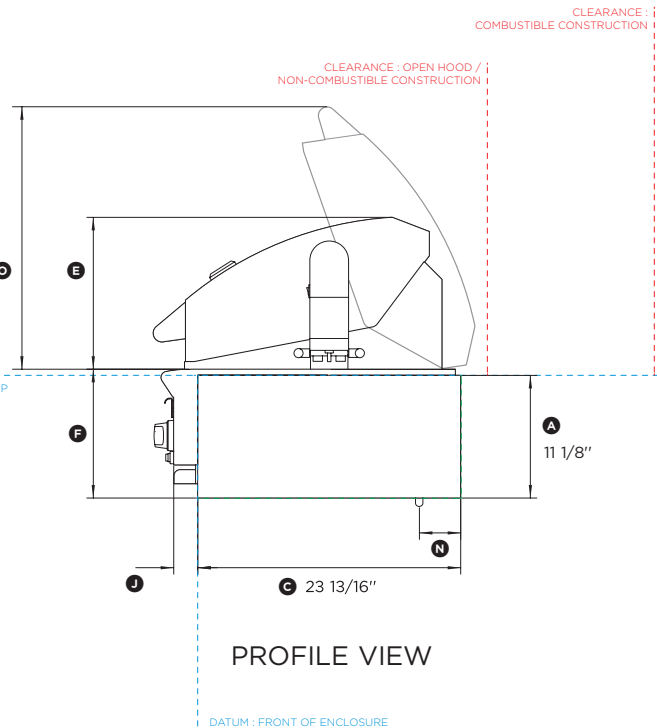
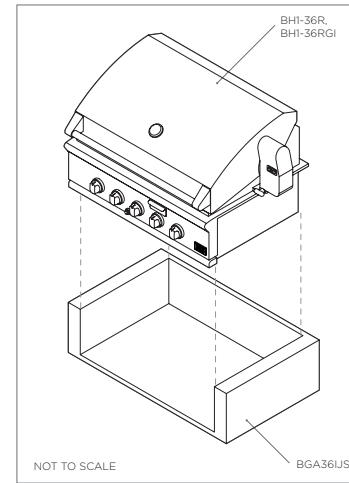
# 36" Outdoor Grill with Insulation Jacket



PLAN VIEW



FRONT VIEW



PROFILE VIEW

Model no:

**BH1-36R, BH1-36RGI with BGA36IJS**

(refer page 2 for metric measurements)

Dimensions	in
Ⓐ Height of insulation jacket	11 1/8"
Ⓑ Overall width of insulation jacket	40 1/2"
Ⓒ Depth from front datum to rear of insulation jacket	23 13/16"
Ⓓ Overall height of grill with insulation jacket	25 3/8"
Ⓔ Height from top of hood to top of chassis	13 3/4"
Ⓕ Height from top of chassis to bottom of insulation jacket	11 5/8"
Ⓖ Overall width of grill with insulation jacket	45 1/8"
Ⓗ Width from right side of jacket to right side of motor cover	3 3/8"
Ⓘ Width from left side of jacket to end of skewer handle	1 1/4"
Ⓛ Depth from control panel to front datum	2 3/16"
Ⓚ Overall depth of grill with insulation jacket (excluding handle and dials)	27 1/16"
Ⓜ Depth from front of product to front datum (excluding handle and dials)	3 3/8"
Ⓝ Distance from gas inlet to right side of insulation jacket	5 7/16"
Ⓞ Distance from gas inlet to rear of insulation jacket	3 3/4"
Ⓟ Height from top of open hood to top of chassis	24 5/8"

Minimum Clearances	in
Overall width of cavity	40 1/2"
Overall depth of cavity	23 3/4"
Overall height of cavity	11 1/8"
Clearance for open hood / non-combustible construction	3"
Clearance to adjacent vertical combustible construction from sides and rear of grill above countertop level	18"

INDICATES CUTOUT -----

INDICATES PRODUCT DATUM - - - - -

INDICATES CLEARANCES - - - - -

DATE: 26.02.2024

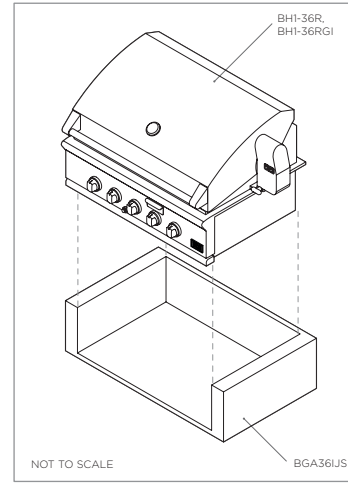
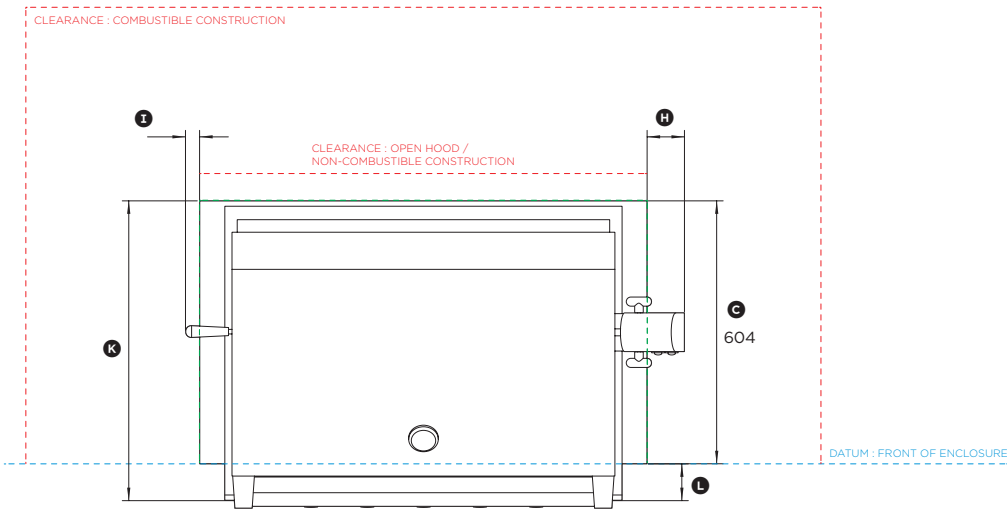
90000131B

IMPORTANT NOTE: Throughout this guide, dimensions may vary by ±2mm (3/32"). Please read the installation manual for detailed information on installing the product. [www.dcsappliances.com](http://www.dcsappliances.com)

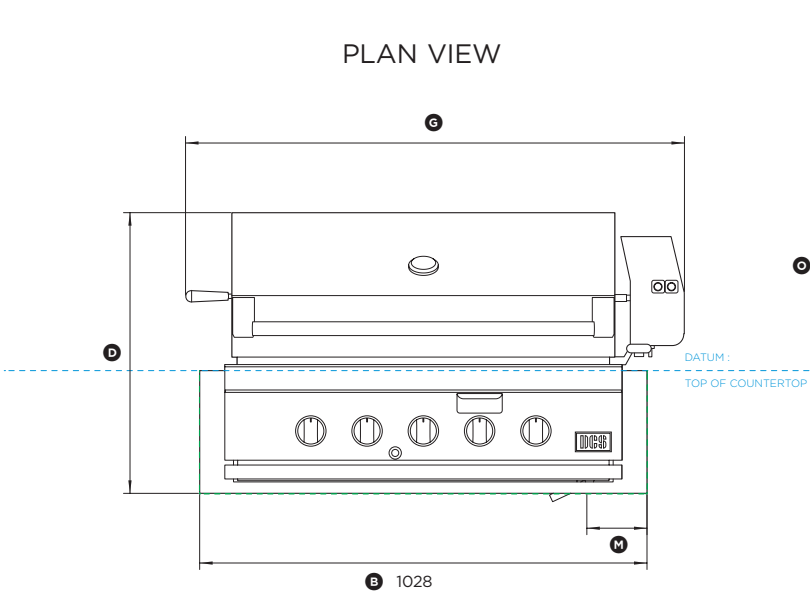


Data sheet

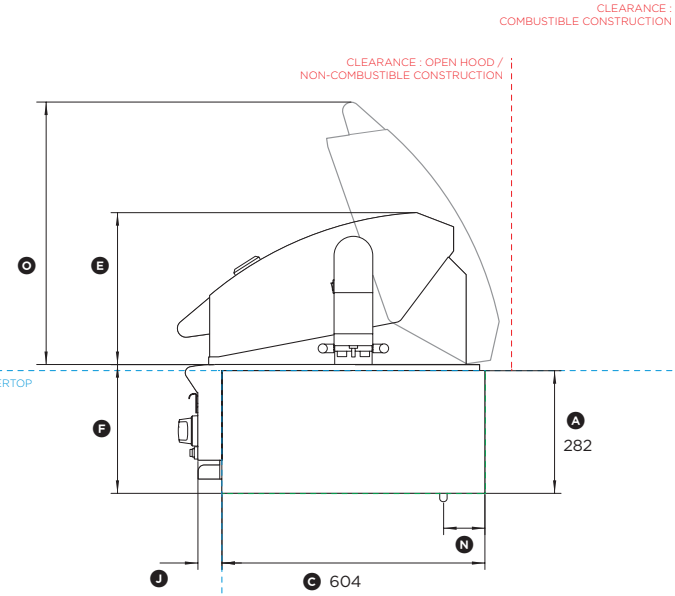
36" Outdoor Grill with Insulation Jacket



PLAN VIEW



FRONT VIEW



PROFILE VIEW

Model no:

**BH1-36R, BH1-36RGI with BGA36IJS**

(refer page 1 for imperial measurements)

Dimensions	mm
Ⓐ Height of insulation jacket	282
Ⓑ Overall width of insulation jacket	1028
Ⓒ Depth from front datum to rear of insulation jacket	604
Ⓓ Overall height of grill with insulation jacket	645
Ⓔ Height from top of hood to top of chassis	349
Ⓕ Height from top of chassis to bottom of insulation jacket	296
Ⓖ Overall width of grill with insulation jacket	1147
Ⓗ Width from right side of jacket to right side of motor cover	86
Ⓘ Width from left side of jacket to end of skewer handle	32
Ⓙ Depth from control panel to front datum	55
Ⓚ Overall depth of grill with insulation jacket (excluding handle and dials)	688
Ⓛ Depth from front of product to front datum (excluding handle and dials)	85
Ⓜ Distance from gas inlet to right side of insulation jacket	138
Ⓝ Distance from gas inlet to rear of insulation jacket	95
Ⓞ Height from top of open hood to top of chassis	626

Minimum Clearances	mm
Overall width of cavity	1029
Overall depth of cavity	603
Overall height of cavity	283
Clearance for open hood / non-combustible construction	76
Clearance to adjacent vertical combustible construction from sides and rear of grill above countertop level	457

INDICATES CUTOUT -----

INDICATES PRODUCT DATUM - - - - -

INDICATES CLEARANCES - - - - -

DATE: **26.02.2024** 90000131B

IMPORTANT NOTE: Throughout this guide, dimensions may vary by ±2mm (3/32"). Please read the installation manual for detailed information on installing the product. [www.dcsappliances.com](http://www.dcsappliances.com)

