

PROFESSIONAL GRILLS SERIES 9- OUTDOOR KITCHEN

---

# PLANNING GUIDE

---

BE1-48RCI | BE1-36RCI | BE1-48RC | BE1-36RC | BGA54-IJS | BGA48-IJS |  
BGA42-IJS | BGA36-IJS | ASE6-48 | ASE6-36

---

**DCS**

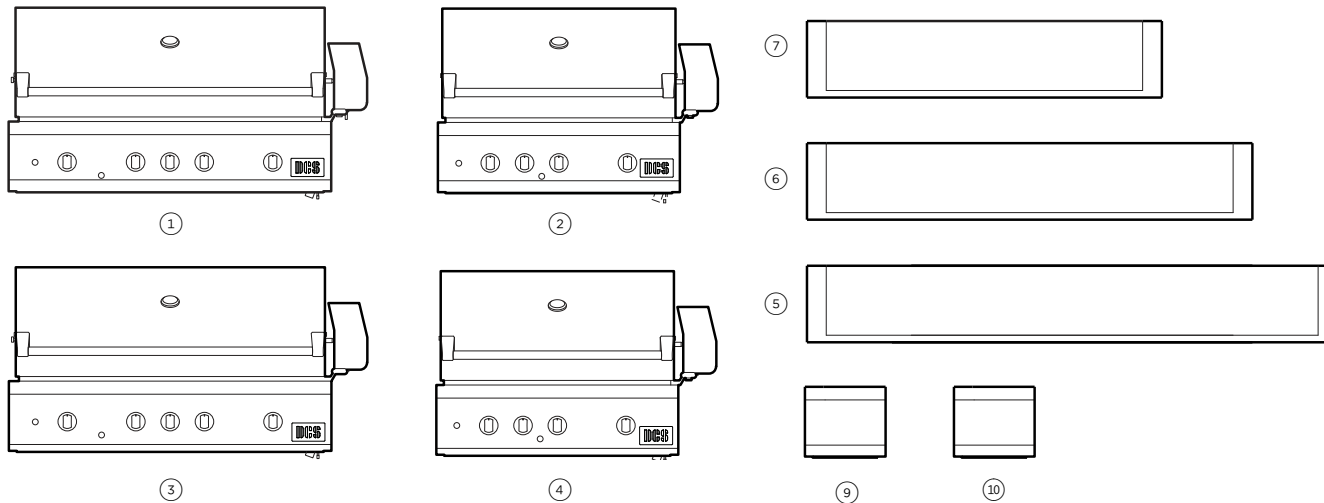
This comprehensive Planning Guide provides you with the framework and tools to achieve your desired design outcome with DCS appliances. In this guide, you will find a range of conceptual, detailed, and dimensional product information to bring your ideas to life and create spaces that truly reflect your vision.

**CONTENTS**

CONCEPT DESIGN	PAGE	DEVELOPED AND DETAILED DESIGN	PAGE	DEVELOPED AND DETAILED DESIGN	PAGE
<b>Design Choices</b>	<b>3</b>	<b>Data Sheets</b>		<b>Grill Cabinet Specifications</b>	
Grills	<b>4</b>	Grills 48"	<b>15</b>	Non-combustible cabinet	<b>29</b>
Specialty cooking	<b>5</b>	Grills 36"	<b>16</b>	Combustible cabinet	<b>30</b>
Cooling	<b>6</b>	Side burner	<b>17</b>		
Drawers	<b>7</b>	Power burner	<b>18</b>	<b>Specialty Cooking Cabinet Specifications</b>	
Access doors	<b>8</b>	Griddle	<b>19</b>	30 & 24" Specialty cooking installation	<b>32</b>
Carts	<b>9</b>	Griddle/side burner	<b>20</b>	24" Specialty cooking in recessed cavity	<b>33</b>
Compact kitchen	<b>10</b>	All grill	<b>21</b>		
Medium kitchen	<b>11</b>			<b>Services</b>	
Large kitchen	<b>12</b>	<b>Planning Considerations</b>		Electrical	<b>35</b>
Large kitchen	<b>13</b>	Grills - clearances	<b>23</b>		
		Specialty cooking - clearances	<b>24</b>		
		Wind screen protection	<b>25</b>		
		Ventilation requirements for LP cylinder enclosures	<b>26</b>		
		Notched counter-top and bull-nose edging details	<b>27</b>		

The models shown in this Planning Guide may not be available in all markets and are subject to change at any time. Product specifications may vary from those shown. This Planning Guide should not be used as installation guidance for any product. Further information is required to safely and correctly install the products featured here. Specific installation guidance will be available on our website [dcsappliances.com](https://dcsappliances.com)

## DESIGN CHOICES



GRILLS

- ① **BE1-48RCI Grill**  
48" Grilling surface, infrared sear burner, left or right hand rotisserie placement, charcoal smoker tray, full surface searing, secondary cooking. Gas options: LP or NG

---

- ② **BE1-36RCI Grill**  
36" Grilling surface, infrared sear burner, left or right hand rotisserie placement, charcoal smoker tray, full surface searing, secondary cooking. Gas options: LP or NG

---

- ③ **BE1-48RC Grill**  
48" Grilling surface, left or right hand rotisserie placement, charcoal smoker tray, full surface searing, secondary cooking. Gas options: LP or NG

---

- ④ **BE1-36RC Grill**  
36" Grilling surface, left or right hand rotisserie placement, charcoal smoker tray, full surface searing, secondary cooking. Gas options: LP or NG

---

- ⑤ **BGA54-IJS INSULATION JACKET**  
54" Jacket for combustible cabinet installation (ASE6-48 6" storage in combination with S9 48" grill)

---

- ⑥ **BGA48-IJS INSULATION JACKET**  
48" Jacket for combustible cabinet installation

---

- ⑦ **BGA42-IJS INSULATION JACKET**  
42" Jacket for combustible cabinet installation (ASE6-36 6" storage in combination with S9 36" grill)

---

- ⑧ **BGA36-IJS INSULATION JACKET**  
36" Jacket for combustible cabinet installation

---

- ⑨ **ASE6-48 SIDE STORAGE**  
6" Storage unit for side installation with S9 48" grills

---

- ⑩ **ASE6-36 SIDE STORAGE**  
6" Storage unit for side installation with S9 36" grills

The models shown in this Planning Guide may not be available in all markets and are subject to change at any time. Product specifications may vary from those shown. This Planning Guide should not be used as installation guidance for any product. Further information is required to safely and correctly install the products featured here. Specific installation guidance will be available on our website [dcsappliances.com](https://dcsappliances.com)

SPECIALTY COOKING

- ① **SBE1-142 Double Side Burner**  
14" Double side burner with cover. Gas Options: LP or NG

---

- ② **PBE1-24 Power Burner**  
24" Power burner with cover. Gas Options: LP or NG

---

- ③ **GDSBE1-302 Griddle/Side Burner**  
30" Griddle/side burner with cover. CAD1-30E Free-standing cart install option available.  
Gas Options: LP or NG

---

- ④ **BE1-30AG All Grill**  
30" Grilling Surface with cover. CAD1-30E Free-standing cart install option available.  
Gas Options: LP or NG

---

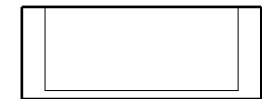
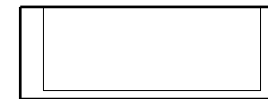
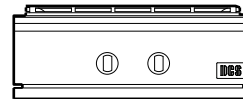
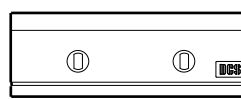
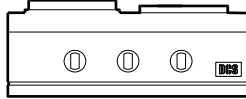
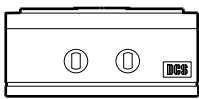
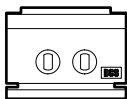
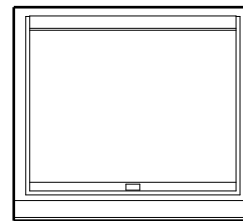
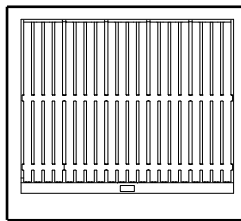
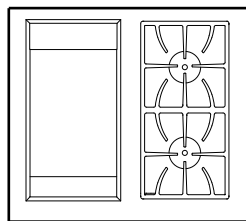
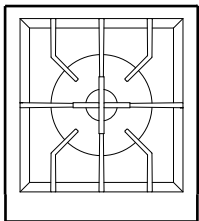
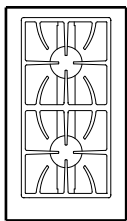
- ⑤ **GDE1-30 Griddle**  
30" Large griddle with separate temperature zones. CAD1-30E Free-standing cart install option available.  
Gas Options: LP or NG

---

- ⑥ **BGB30-IJS 30" Insulation Jacket**  
30" Jacket for combustible cabinet installation with GDSBE1-302 Griddle/Side Burner, BE1-30AG All Grill and GDE1-30 Griddle

---

- ⑦ **BGA24-IJS 24" Insulation Jacket**  
24" Jacket for combustible cabinet installation with PBE1-24 Power Burner



①

②

③

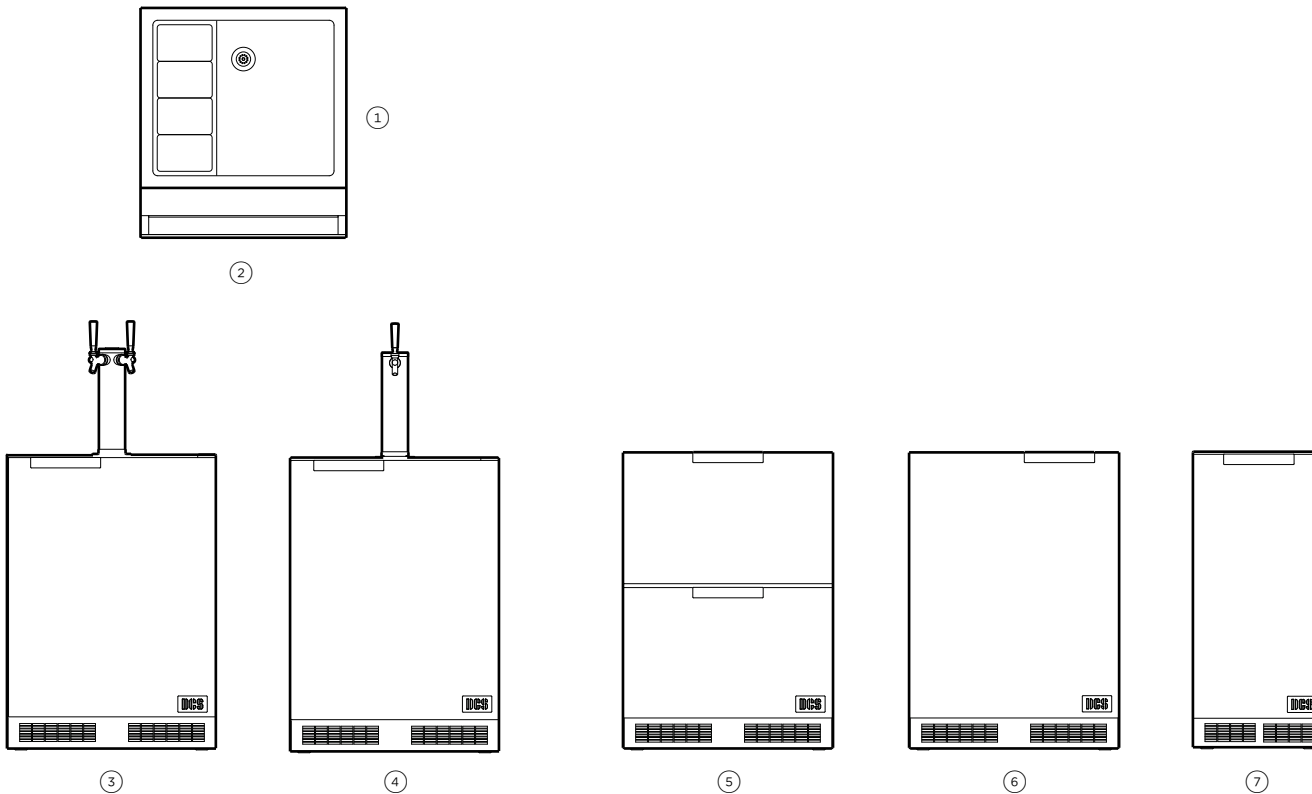
④

⑤

⑥

⑦

The models shown in this Planning Guide may not be available in all markets and are subject to change at any time. Product specifications may vary from those shown. This Planning Guide should not be used as installation guidance for any product. Further information is required to safely and correctly install the products featured here. Specific installation guidance will be available on our website [dcsappliances.com](http://dcsappliances.com)



**CHILLERS IN COUNTER**

- ① **BC25 Sink**  
25" Bottle and ice sink with four condiment storage containers.

---

- ② **BC1-25AC Bottle Holder Sink Accessory**  
25" 1 litre bottle holder with towel rack.

---

- ③ **RF24BTR2, RF24BTL2 Outdoor Beer Dispenser**  
24" Dual tap, CO<sup>2</sup> tank and regulator, refrigerated keg storage, door open alarm, digital temperature control with in counter drainage system. Left or right door opening.

---

- ④ **RF24BTR2, RF24BTL2 Outdoor Beer Dispenser**  
24" Single tap, CO<sup>2</sup> tank and regulator, refrigerated keg storage, door open alarm, digital temperature control with in counter drainage system. Left or right door opening

**CHILLERS UNDER COUNTER**

- ⑤ **RF24DE4 Outdoor refrigerator drawers**  
24" Refrigerated drawers, 5 cu foot capacity, rapid cool down, and open door alarm.

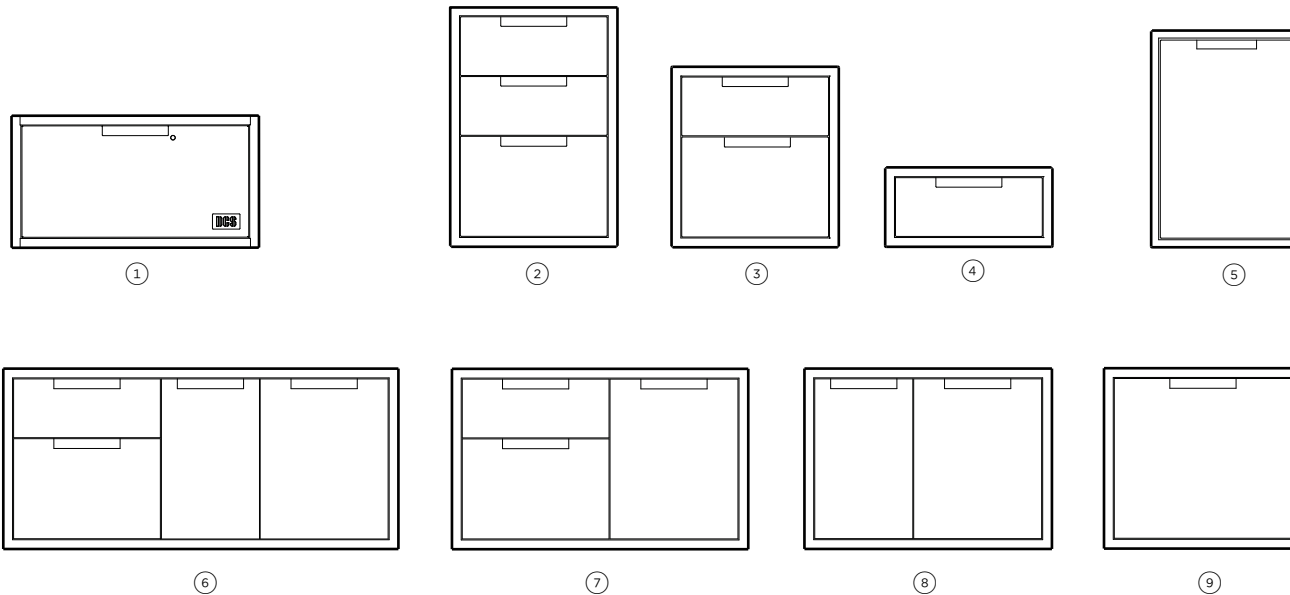
---

- ⑥ **RF24RE4, RF24LE4 Outdoor refrigerator**  
24" Single door refrigerator, 5.3 cu foot capacity and open door alarm. Left or right door opening.

---

- ⑦ **RF15IL3, RF15R3 Outdoor Ice Machine**  
15" Ice Machine, 39lb per day, sound buffered, eco and delay mode.

The models shown in this Planning Guide may not be available in all markets and are subject to change at any time. Product specifications may vary from those shown. This Planning Guide should not be used as installation guidance for any product. Further information is required to safely and correctly install the products featured here. Specific installation guidance will be available on our website [dcsappliances.com](https://dcsappliances.com)



**DRAWERS**

- ① **WD1-30-SSOD Warming drawer**  
30" Outdoor warming drawer, removable stainless steel shelf, space for 6 standard dinner plates.

---

- ② **TDT1-20 Tower drawer triple**  
20 5/16" Wide outdoor weather resistant triple drawers.

---

- ③ **TDD1-20 Tower drawer double**  
20 5/16" Wide outdoor weather resistant double drawers.

---

- ④ **TDS1-20 Tower drawer single**  
20 5/16" Wide outdoor weather resistant single drawer.

---

- ⑤ **TB1-20 Trash bin**  
20 5/16" Wide waste solution with two full sized removable bins.

---

- ⑥ **ADR2-48 Access drawers**  
48" Wide access four drawer or convert to trash drawer and flexible storage.

---

- ⑦ **ADR2-36 Access drawers**  
36" Wide access three drawer or convert to trash drawer and flexible storage.

---

- ⑧ **ADR2-30 Access drawers**  
30" Wide access two drawer or convert to trash drawer and flexible storage.

---

- ⑨ **ADR2-24 Access drawers**  
24" Wide access single drawer or convert to trash drawer.

The models shown in this Planning Guide may not be available in all markets and are subject to change at any time. Product specifications may vary from those shown. This Planning Guide should not be used as installation guidance for any product. Further information is required to safely and correctly install the products featured here. Specific installation guidance will be available on our website [dcsappliances.com](https://dcsappliances.com)

ACCESS DOORS

- ① **DP1-42 Dry pantry**  
42" Wide dry pantry, adjustable storage, removable storage bins and wire shelves.

---

- ② **ADN1-20X48 Access doors**  
48" Wide access doors, for built in cabinet storage.

---

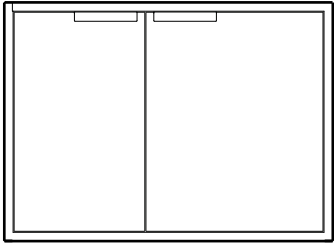
- ③ **ADN1-20X36 Access doors**  
36" Wide access doors, for built in cabinet storage.

---

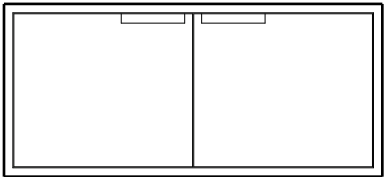
- ④ **ADN1-20X30 Access doors**  
30" Wide access doors, for built in cabinet storage.

---

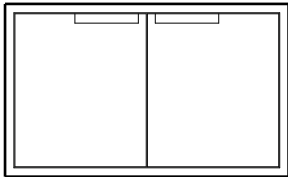
- ⑤ **ADN1-20X24 Access doors**  
24" Wide access doors, for built in cabinet storage.



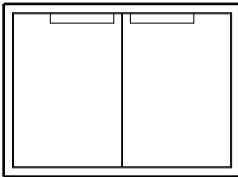
①



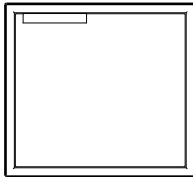
②



③



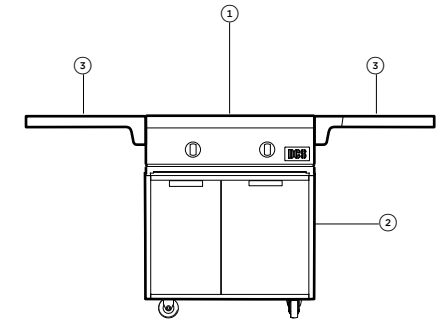
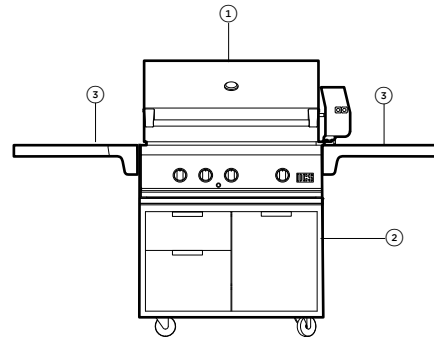
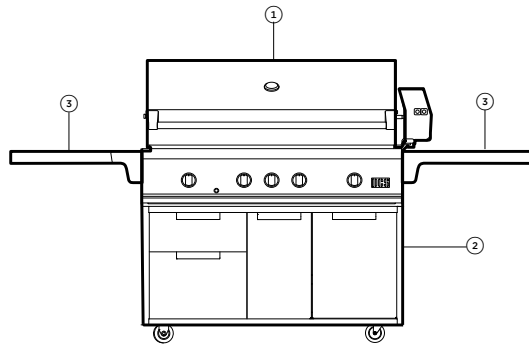
④



⑤

The models shown in this Planning Guide may not be available in all markets and are subject to change at any time. Product specifications may vary from those shown. This Planning Guide should not be used as installation guidance for any product. Further information is required to safely and correctly install the products featured here. Specific installation guidance will be available on our website [dcsappliances.com](https://dcsappliances.com)





**MODELS**

① **48" Grill with Rotisserie, Sear Burner and Charcoal Smoker Tray**

Models: BEI-48RCI-L (LPG), BEI-48RCI-N (NG)

② **48" Cad Grill Cart**

CAD1-48E

③ **Shelf Accessories - Optional**

Side Shelf - CAD1-SK

Bamboo Cutting Board AP-CBB

① **36" Grill with Rotisserie and Charcoal Smoker Tray**

Models: BEI-36RC-L (LPG), BEI-36RC-N (NG)

② **36" Cad Grill Cart**

CAD1-36E

③ **Shelf Accessories - Optional**

Side Shelf - CAD1-SK

Bamboo Cutting Board AP-CBB

① **30" All Grill**

Models: BEI-30AG-L (LPG), BEI-30AG-N (NG)

② **30" Cad Grill Cart**

CAD1-30E

③ **Shelf Accessories - Optional**

Side Shelf - CAD1-SK

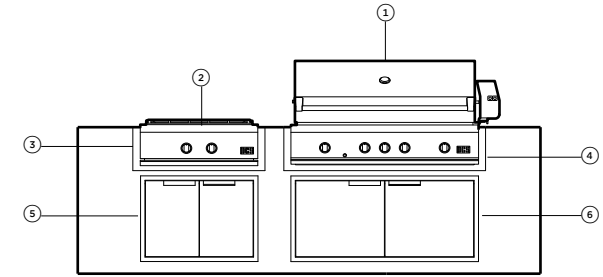
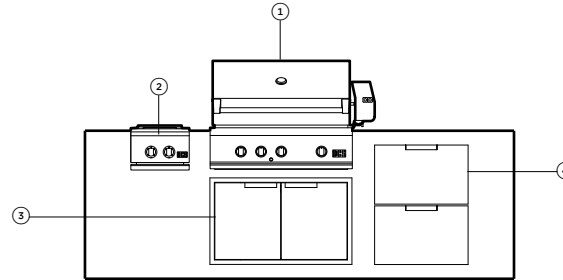
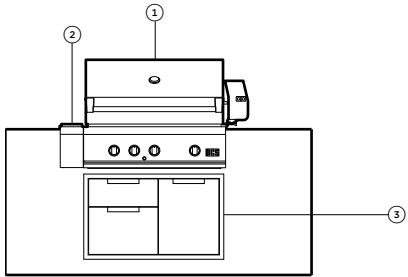
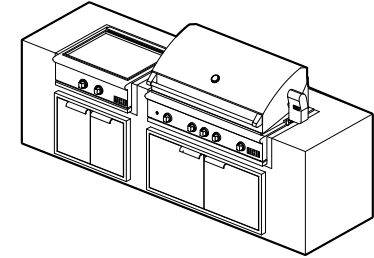
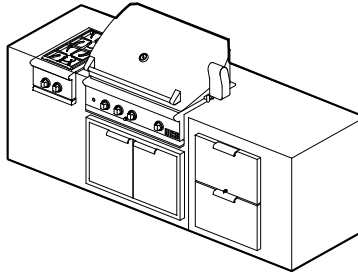
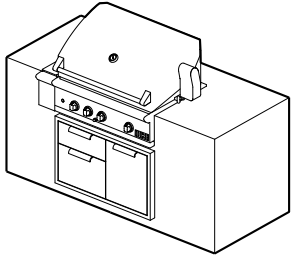
Back Bar - CAD30-BB

Bamboo Cutting Board AP-CBB

NOTE: Any grill or 30" specialty cooking product with corresponding width to cart dimensions can be installed. Contact your DCS supplier for guidance.

The models shown in this Planning Guide may not be available in all markets and are subject to change at any time. Product specifications may vary from those shown. This Planning Guide should not be used as installation guidance for any product. Further information is required to safely and correctly install the products featured here. Specific installation guidance will be available on our website [dcsappliances.com](https://dcsappliances.com)

# DESIGN CHOICES | COMPACT CONFIGURATIONS



## MODELS

① **36" Grill with Rotisserie, Sear Burner and Charcoal Smoker Tray**

Models: BE1-36RCI-L (LPG), BE1-36RCI-N (NG)

② **6" Side Storage Unit**

ASE6-36

③ **36" Access Drawers Built-in**

ADR2-36

① **36" Grill with Rotisserie and Charcoal Smoker Tray**

Models: BE1-36RC-L (LPG), BE1-36R-N (NG)

② **14" Double Side Burner**

Models: SBE1-142-L (LPG), SBE1-142 (NG)

③ **36" Access Doors Built-in**

ADNI-20X36

④ **24" Outdoor Refrigerator Drawers**

RF24DE4

① **48" Grill with Rotisserie, Sear Burner and Charcoal Smoker Tray**

Models: BE1-48RCI-L (LPG), BE1-48RCI-N (NG)

② **30" Griddle**

Models: GDE1-30-L (LPG), GDE1-30-N (NG)

③ **30" Insulation Jacket**

BGB30-IJS

④ **48" Insulation Jacket**

BGA48-IJS

⑤ **30" Access Drawers Built-in**

ADNI-20X30

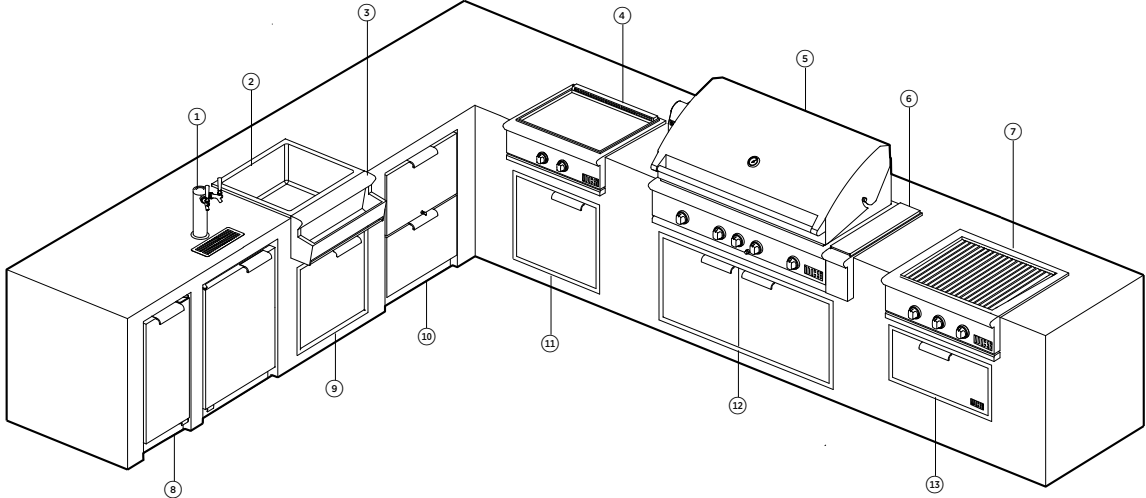
⑥ **48" Access Doors Built-in**

ADNI-20X48

NOTE: Multiple grill and storage configurations are available.

The models shown in this Planning Guide may not be available in all markets and are subject to change at any time. Product specifications may vary from those shown. This Planning Guide should not be used as installation guidance for any product. Further information is required to safely and correctly install the products featured here. Specific installation guidance will be available on our website [dcsappliances.com](http://dcsappliances.com)

DESIGN CHOICES | MEDIUM OUTDOOR KITCHEN



MODELS

①	<b>24" Outdoor Dual Tap Beer Dispenser</b> RF24BTR2
②	<b>25" Beverage Chiller/Sink</b> BC25
③	<b>Bottle Holder Accessory</b> BCI-25AC
④	<b>30" Griddle</b> Models: GDE1-30-L, (LPG), GDE1-30-N (NG)
⑤	<b>48" Grill with Rotisserie, Sear Burner and Charcoal Smoker Tray</b> Models: BE1-48RCI-L (LPG), BE1-48RCI-N (NG)

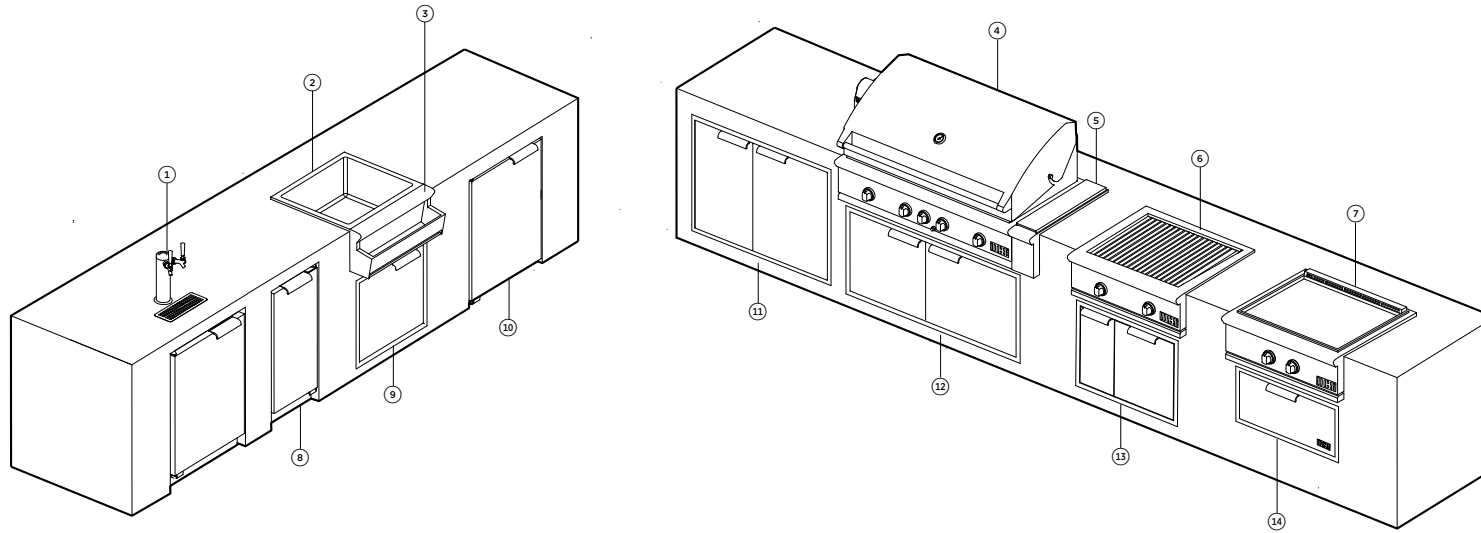
⑥	<b>6" Side Storage Unit</b> ASE6-48
⑦	<b>30" All Grill</b> Models: BE1-30AG-L, (LPG), BE1-30AG-N (NG)
⑧	<b>15" Outdoor Ice Machine</b> Models: RF15IL3 (left hand opening), RF15IR3 (right hand opening)
⑨	<b>24" Access Door</b> ADNI-20X24
⑩	<b>24" Outdoor Refrigerator Drawers</b> RF24DE4

⑪	<b>24" Access Door</b> ADNI-20X24
⑫	<b>48" Access Doors</b> ADNI-20X48
⑬	<b>30" Outdoor Warming Drawer</b> WDI-30-SSOD

NOTE: Multiple grill, cooler and storage configurations are available.

The models shown in this Planning Guide may not be available in all markets and are subject to change at any time. Product specifications may vary from those shown. This Planning Guide should not be used as installation guidance for any product. Further information is required to safely and correctly install the products featured here. Specific installation guidance will be available on our website [dcsappliances.com](https://dcsappliances.com)

# DESIGN CHOICES | LARGE OUTDOOR KITCHEN



## MODELS

① **24" Outdoor Dual Tap Beer Dispenser**

RF24BTR2

② **25" Beverage Chiller/Sink**

BC25

③ **Bottle Holder Accessory**

BCI-25AC

④ **48" Grill with Rotisserie, Sear Burner and Charcoal Smoker Tray**

Models: BE1-48RCI-L (LPG), BE1-48RCI-N (NG)

⑤ **6" Side Storage Unit**

ASE6-48

⑥ **30" All Grill**

Models: BE1-30AG-L, (LPG), BE1-30AG-N (NG)

⑦ **30" Griddle**

Models: GDE1-30-L, (LPG), GDE1-30-N (NG)

⑧ **15" Outdoor Ice Machine**

Models: RF15IL3 (left hand opening), RF15IR3 (right hand opening)

⑨ **24" Access Door**

ADNI-20X24

⑩ **24" Outdoor Refrigerator**

Models: RF24LE4 (left hand opening), RF24RE4 (right hand)

⑪ **42" Dry Pantry**

DP1-42

⑫ **48" Access Doors**

ADNI-20X48

⑬ **30" Access Drawers Built-in**

ADR2-30

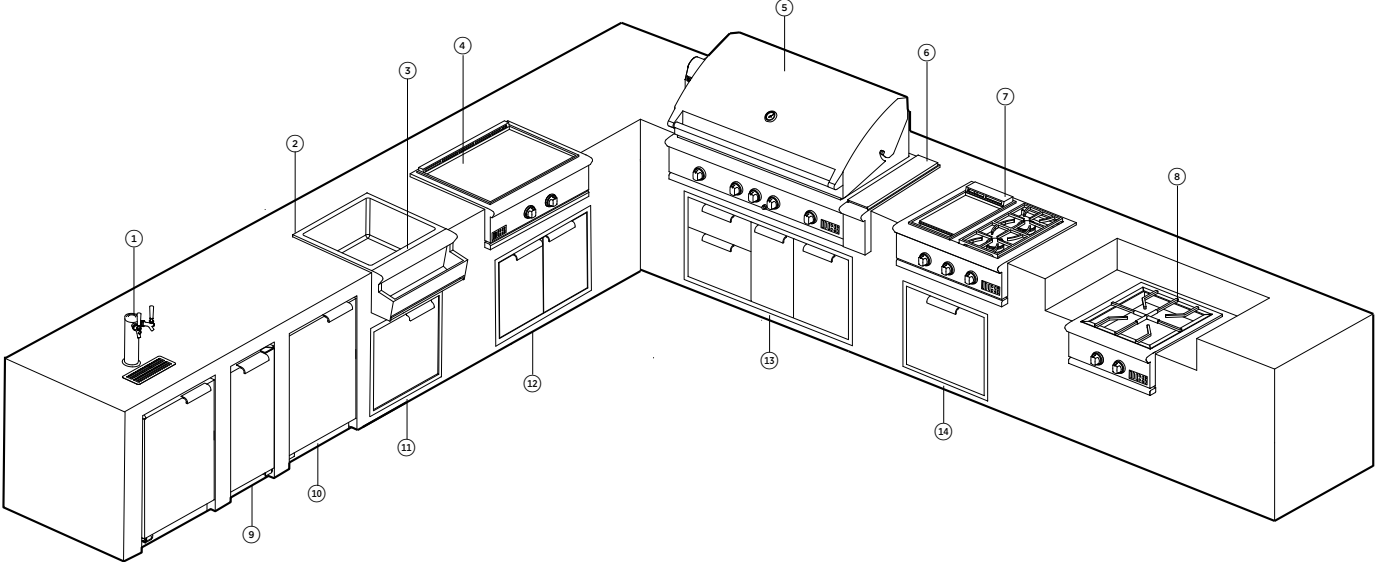
⑭ **30" Outdoor Warming Drawer**

WD1-30-SSOD

NOTE: Multiple grill, cooler and storage configurations are available.

The models shown in this Planning Guide may not be available in all markets and are subject to change at any time. Product specifications may vary from those shown. This Planning Guide should not be used as installation guidance for any product. Further information is required to safely and correctly install the products featured here. Specific installation guidance will be available on our website [dcsappliances.com](http://dcsappliances.com)

DESIGN CHOICES | **LARGE OUTDOOR KITCHEN**



**MODELS**

①	<b>24" Outdoor Dual Tap Beer Dispenser</b> RF24BTR2
②	<b>25" Beverage Chiller/Sink</b> BC25
③	<b>Bottle Holder Accessory</b> BC1-25AC
④	<b>30" Griddle</b> Models: GDE1-30-L, (LPG), GDE1-30-N (NG)
⑤	<b>48" Grill with Rotisserie, Sear Burner and Charcoal Smoker Tray</b> Models: BE1-48RCI-L (LPG), BE1-48RCI-N (NG)

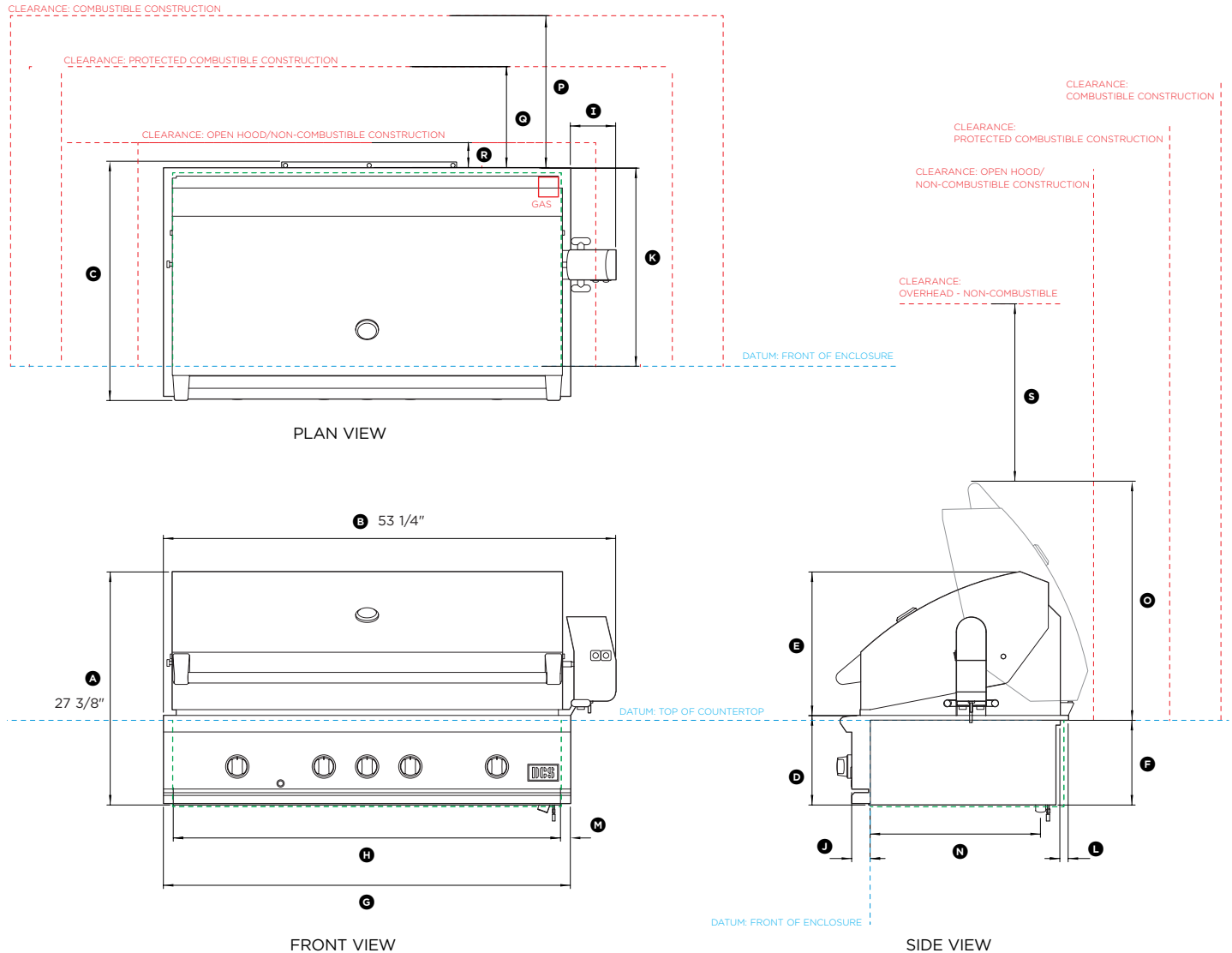
⑥	<b>6" Side Storage Unit</b> ASE6-48
⑦	<b>30" Griddle/Side Burner</b> Models: GDSBE1-302-L, (LPG), GDSBE1-302-N (NG)
⑧	<b>24" Power Burner</b> Models: PBE1-24-L (LPG), PBE1-24-N (NG)
⑨	<b>15" Outdoor Ice Machine</b> Models: RF15IL3 (left hand opening), RF15IR3 (right hand opening)
⑩	<b>24" Outdoor Refrigerator</b> Models: RF24LE4 (left hand opening), RF24RE4 (right hand)

⑪	<b>24" Access Door Built-in</b> ADN1-20X24
⑫	<b>30" Access Doors</b> ADN1-20X30
⑬	<b>48" Access Drawers Built-in</b> ADR2-48
⑭	<b>24" Access Door Built-in</b> ADN1-20X24

NOTE: Multiple grill, cooler and storage configurations are available.

The models shown in this Planning Guide may not be available in all markets and are subject to change at any time. Product specifications may vary from those shown. This Planning Guide should not be used as installation guidance for any product. Further information is required to safely and correctly install the products featured here. Specific installation guidance will be available on our website [dcsappliances.com](http://dcsappliances.com)

## DATA SHEETS



**Model no:**  
BE1-48RCI, BE1-48RC

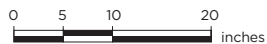
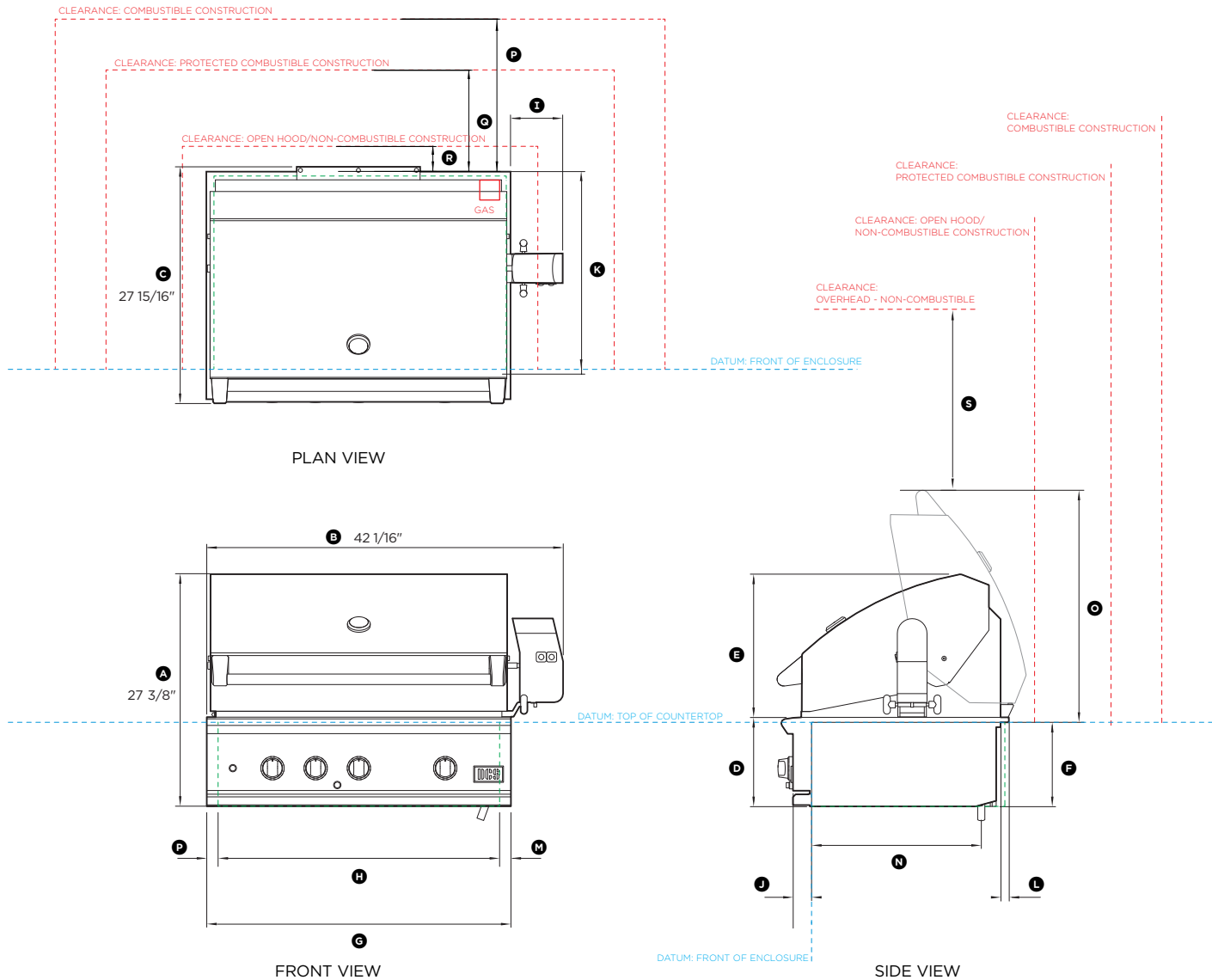
Product Dimensions		mm
A	Overall height	27 3/8" 696
B	Overall width including rotisserie motor	53 1/4" 1353
C	Overall depth	27 15/16" 709
D	Height of chassis including flange	10 1/2" 267
E	Height of chassis from top of hood to flange	16 15/16" 430
F	Height of chassis below flange	9 15/16" 253
G	Width of control panel	47 15/16" 1217
H	Width of chassis inside enclosure	45 9/16" 1158
I	Rotisserie motor depth	5 5/16" 135
J	Control panel depth	22 3/16" 55
K	Front of cabinet (proud) to rear flange	23 5/16" 592
L	Depth of rear flange	1" 25
M	Width of side flanges	1 3/16" 29.5
N	Front of chassis to gas outlet	20 1/16" 509
O	Height of open hood to top of counter-top	27 3/8" 691

Minimum Clearances		
P	Clearance to combustible construction	18" 457
Q	Clearance to protected combustible construction	12" 305
R	Clearance to non-combustible construction	3" 76
S	Minimum clearance top of open hood to non-combustible surface	3" 76

NOTE: Do not install under unprotected combustible or protected combustible construction without using a fire safe ventilation system. If the grill is to be placed into a combustible enclosure, an approved insulated jacket is necessary. Use only the DCS insulated jacket which has specifically been designed and tested for this purpose. 48" Insulated jacket model number: BGA48-IJS

INDICATES CABINETRY / PRODUCT DATUM -----  
INDICATES CABINETRY CLEARANCES - - - - -

IMPORTANT NOTE: Throughout this guide, dimensions may vary by ±2mm (1/16"). Please read the Installation Guide for detailed information on installing the product. For full installation instructions visit [dcsappliances.com](http://dcsappliances.com)



**Model no:**  
BE1-36RCI, BE1-36RC

Product Dimensions	mm	
Ⓐ Overall height (excluding lid)	27 3/8"	696
Ⓑ Overall width including rotisserie motor	42 1/16"	1069
Ⓒ Overall depth	27 15/16"	709
Ⓓ Height of chassis including flange	10 1/2"	267
Ⓔ Height of chassis from top of hood to flange	16 15/16"	430
Ⓕ Height of chassis below flange	9 15/16"	253
Ⓖ Width of control panel	35 15/16"	912
Ⓗ Width of Chassis inside enclosure	33 11/16"	855
Ⓘ Rotisserie motor depth	6 1/8"	156
Ⓝ Control panel depth	2 3/16"	55
Ⓚ Front of cabinet (proud) to rear flange	23 5/16"	592
Ⓛ Depth of rear flange	1"	25
Ⓜ Width of side flanges	1 3/16"	29.5
Ⓝ Front of chassis to gas outlet	20 1/16"	509
Ⓞ Height of open hood to top of counter-top	27 3/16"	691

Minimum Clearances	mm	
Ⓟ Clearance to combustible construction	18"	457
Ⓠ Clearance to protected combustible construction	12"	305
Ⓡ Clearance to non-combustible construction	3"	76
Ⓢ Minimum clearance top of open hood to non-combustible surface	24"	610

NOTE: Do not install under unprotected combustible or protected combustible construction without using a fire safe ventilation system.

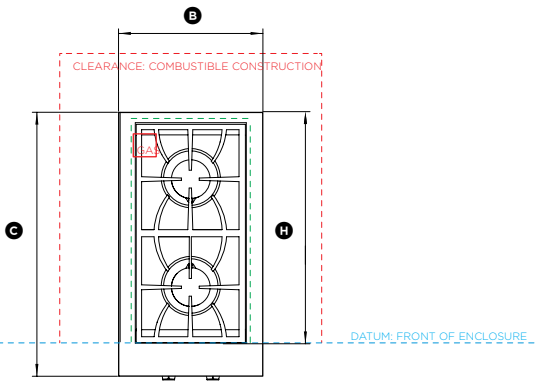
If the grill is to be placed into a combustible enclosure, an approved insulated jacket is necessary. Use only the DCS insulated jacket which has specifically been designed and tested for this purpose.

36" Insulated jacket model number: BGA36-IJS

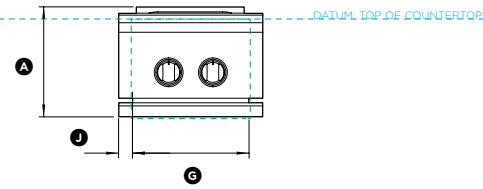
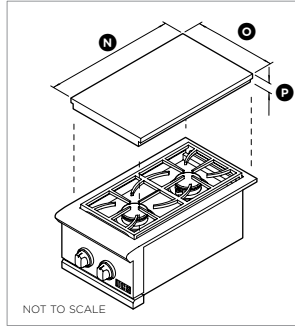
INDICATES CABINETRY / PRODUCT DATUM -----  
INDICATES CABINETRY CLEARANCES - - - - -

IMPORTANT NOTE: Throughout this guide, dimensions may vary by ±2mm (1/16"). Please read the Installation Guide for detailed information on installing the product. For full installation instructions visit [dcsappliances.com](http://dcsappliances.com)

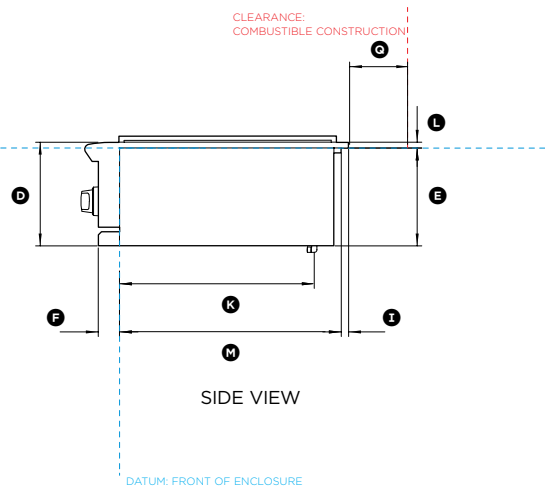




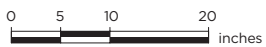
PLAN VIEW



FRONT VIEW



SIDE VIEW



**Model no:**  
SBE1-142

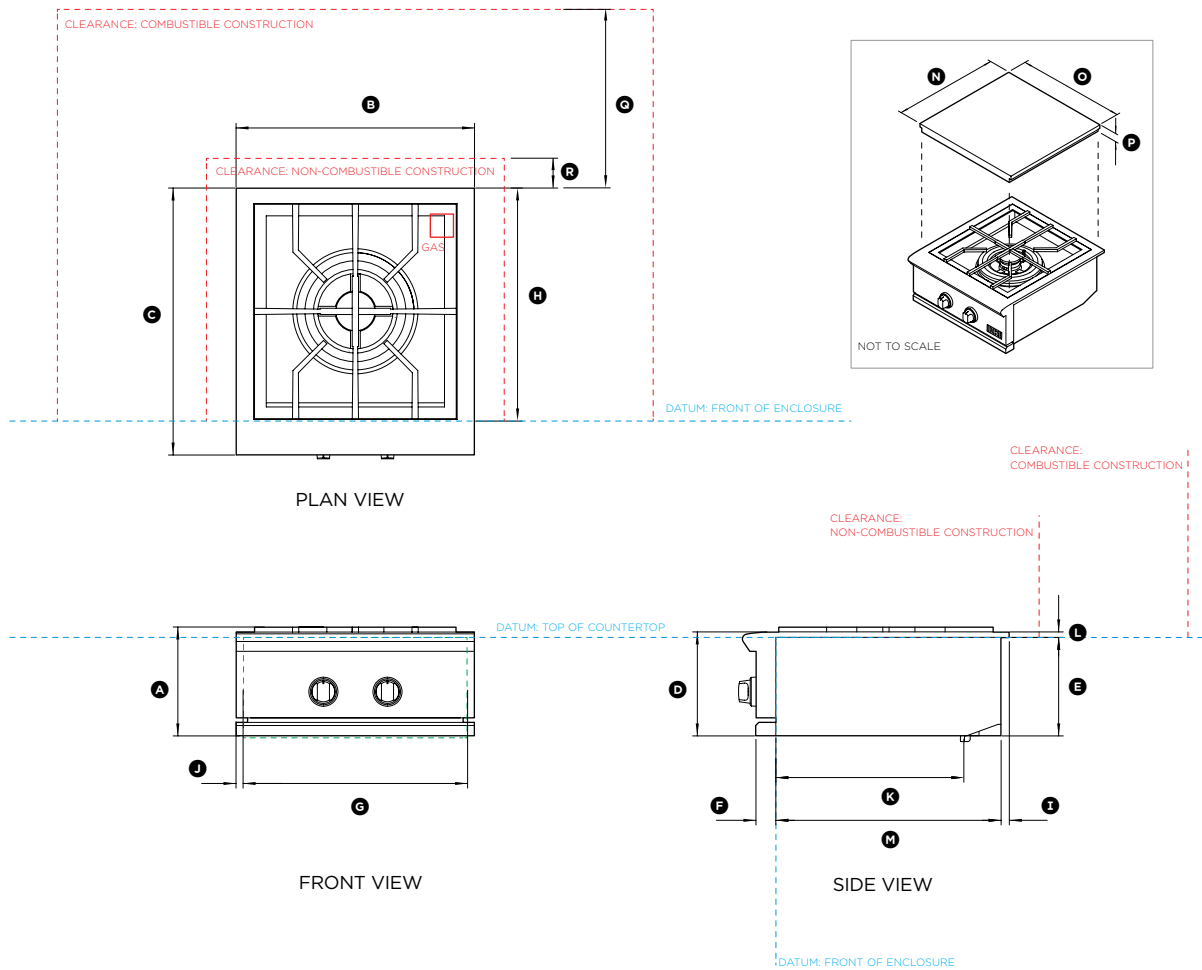
Product Dimensions		mm
Ⓐ Overall height	11 3/4"	285
Ⓑ Overall width	14 11/16"	373
Ⓒ Overall depth (excluding dials)	26 7/8"	683
Ⓓ Height of chassis including flange	10 5/8"	268
Ⓔ Height of chassis below flange	9 15/16"	253
Ⓕ Control panel depth	2 3/16"	55
Ⓖ Width of Chassis inside enclosure	11 7/8"	301
Ⓜ Front of cabinet (proud) to rear flange	11 1/4"	286
Ⓣ Depth of rear flange	3/4"	19
Ⓝ Width of side flanges	1 7/6"	36
Ⓚ Front of chassis to gas outlet	20 1/16"	509
Ⓛ Height of flange	19/32"	15
Ⓜ Depth of chassis	22 9/16"	573
Ⓝ Depth of lid	23"	585
Ⓞ Width of lid	14 3/8"	365
Ⓟ Height of lid	1 11/16"	43

**Minimum Clearances**

Ⓞ Clearance to surfaces above counter-top at rear and sides	6"	152
---	----	-----

INDICATES CABINETRY / PRODUCT DATUM -----  
INDICATES CABINETRY CLEARANCES - - - - -

**IMPORTANT NOTE:** Throughout this guide, dimensions may vary by ±2mm (1/16"). Please read the Installation Guide for detailed information on installing the product. For full installation instructions visit [dcsappliances.com](http://dcsappliances.com)



**Model no:**  
PBE1-24

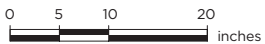
Product Dimensions		mm
Ⓐ Overall height	11"	279
Ⓑ Overall width	24"	610
Ⓒ Overall depth (excluding dials)	26 7/8"	683
Ⓓ Height of chassis including flange	10 1/2"	266
Ⓔ Height of chassis below flange	9 15/16"	252
Ⓕ Control panel depth	2"	51
Ⓖ Width of chassis inside enclosure	20 3/16"	552
Ⓗ Front of cabinet (proud) to rear flange	23 1/2"	597
Ⓙ Depth of rear flange	1"	25
Ⓚ Width of side flanges	1 1/8"	29
Ⓛ Front of chassis to gas outlet	20 1/16"	509
Ⓛ Height of flange	9/16"	14
Ⓜ Depth of chassis	22 9/16"	573
Ⓝ Depth of lid	22 15/16"	583
Ⓞ Width of lid	23 5/8"	600
Ⓟ Height of lid	1 11/16"	43

Minimum Clearances		
Ⓒ Clearance to combustible construction	18"	457
Ⓑ Clearance to non-combustible construction	3"	76

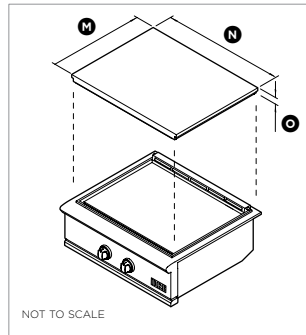
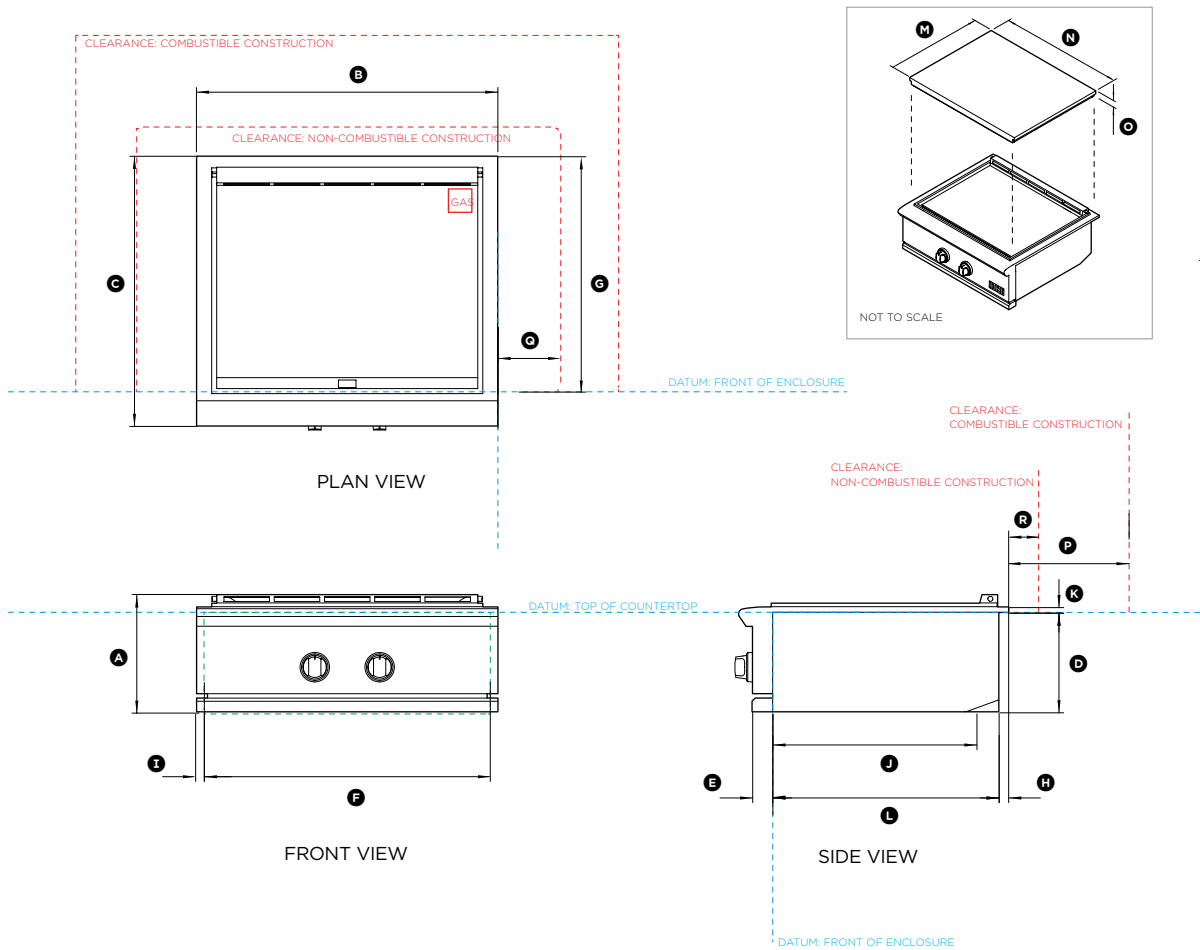
NOTE: The power burner should be mounted 6 - 12" below the counter-top height to assist with lifting heavy pans and wind protection.  
If the power burner is to be placed into a combustible enclosure, an approved insulated jacket is necessary. Use only the DCS insulated jacket which has specifically been designed and tested for this purpose.  
24" Insulated jacket model number: BGA24-IJS

INDICATES CABINETSRY / PRODUCT DATUM -----  
INDICATES CABINETSRY CLEARANCES - - - - -

IMPORTANT NOTE: Throughout this guide, dimensions may vary by ±2mm (1/16"). Please read the Installation Guide for detailed information on installing the product. For full installation instructions visit [dcsappliances.com](https://dcsappliances.com)



CLEARANCE: COMBUSTIBLE CONSTRUCTION



**Model no:**  
GDE1-30

Product Dimensions		mm
Ⓐ	Overall height	11 3/4" 298
Ⓑ	Overall width	30" 762
Ⓒ	Overall depth (excluding dials)	26 7/8" 683
Ⓓ	Height of chassis below flange	9 15/16" 252
Ⓔ	Control panel depth	2" 51
Ⓕ	Width of chassis inside enclosure	27 13/16" 707
Ⓖ	Front of cabinet (proud) to rear flange	23 1/2" 597
Ⓜ	Depth of rear flange	1" 25
Ⓛ	Width of side flanges	1 1/16" 27.5
Ⓝ	Front of chassis to gas outlet	20 1/16" 509
Ⓚ	Height of flange	9/16" 14
Ⓛ	Depth of chassis	22 9/16" 573
Ⓜ	Depth of lid	23" 585
Ⓝ	Width of lid	29 1/2" 750
Ⓞ	Height of lid	1 11/16" 43

**Minimum Clearances**

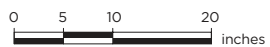
Ⓟ	Clearance to combustible construction above counter top at rear and sides	12" 305
Ⓞ	Clearance to non-combustible construction above counter top at sides	6" 152
Ⓡ	Clearance to non-combustible construction above counter top at rear	3" 76

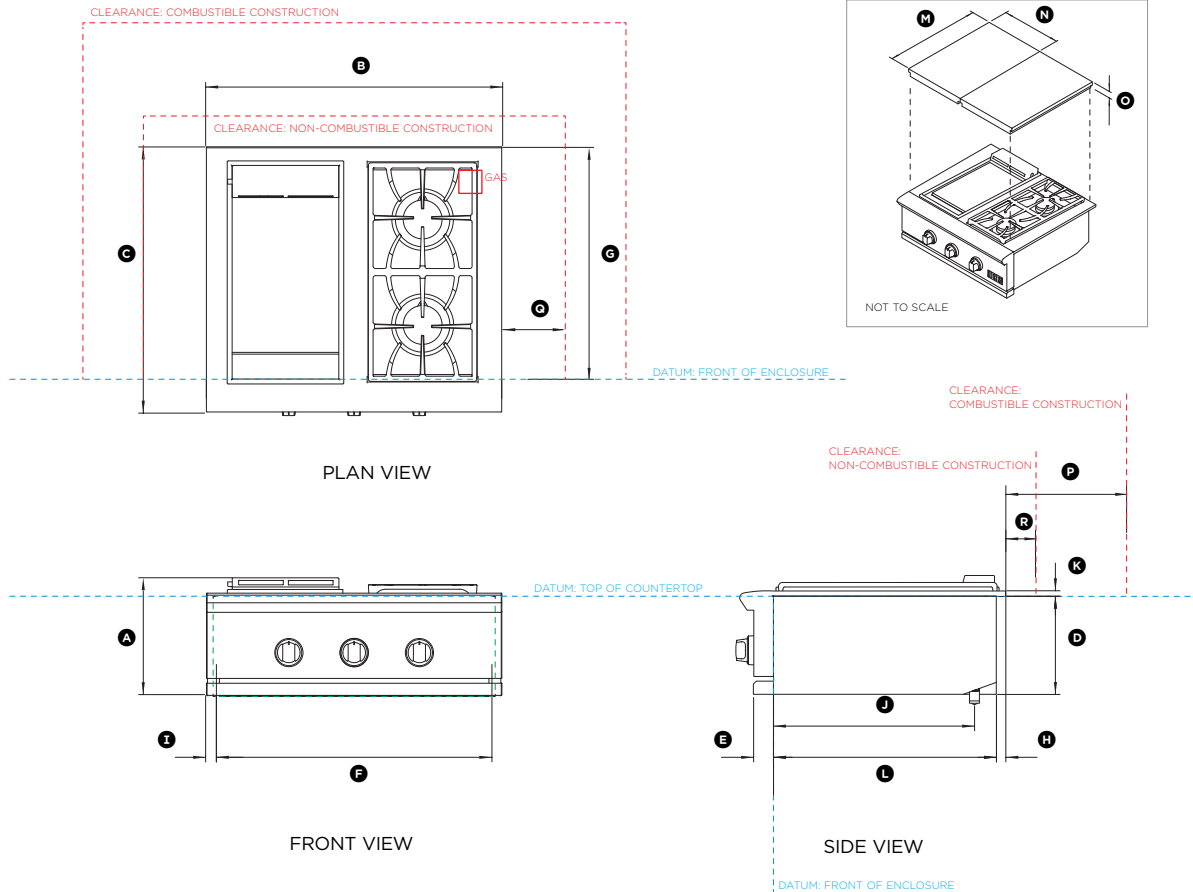
NOTE: If the griddle is to be placed into a combustible enclosure, an approved insulated jacket is necessary. Use only the DCS insulated jacket which has specifically been designed and tested for this purpose.

30" Insulated jacket model number: BGB30-IJS

INDICATES CABINETRY / PRODUCT DATUM -----  
INDICATES CABINETRY CLEARANCES - - - - -

IMPORTANT NOTE: Throughout this guide, dimensions may vary by ±2mm (1/16"). Please read the Installation Guide for detailed information on installing the product. For full installation instructions visit [dcsappliances.com](http://dcsappliances.com)





**Model no:**  
GDSBE1-302

Product Dimensions		mm
Ⓐ	Overall height	12" 305
Ⓑ	Overall width	30" 762
Ⓒ	Overall depth (excluding dials)	26 7/8" 683
Ⓓ	Height of chassis below flange	9 15/16" 252
Ⓔ	Control panel depth	2" 51
Ⓕ	Width of chassis inside enclosure	27 13/16" 707
Ⓖ	Front of cabinet (proud) to rear flange	23 1/2" 597
Ⓜ	Depth of rear flange	7/8" 22
Ⓝ	Width of side flanges	1 1/16" 27.5
Ⓟ	Front of chassis to gas outlet	20 1/32" 509
Ⓢ	Height of flange	9/16" 14
Ⓛ	Depth of chassis	22 9/16" 573
Ⓜ	Depth of lids (left and right)	23" 584
Ⓝ	Width of lids (left and right)	14 3/8" 365
Ⓞ	Height of lids (left and right)	1 11/16" 43

**Minimum Clearances**

Ⓟ	Clearance to combustible construction above counter top at rear and sides	12" 305
Ⓞ	Clearance to non-combustible construction above counter top at sides	6" 152
Ⓢ	Clearance to non-combustible construction above counter top at rear	3" 76

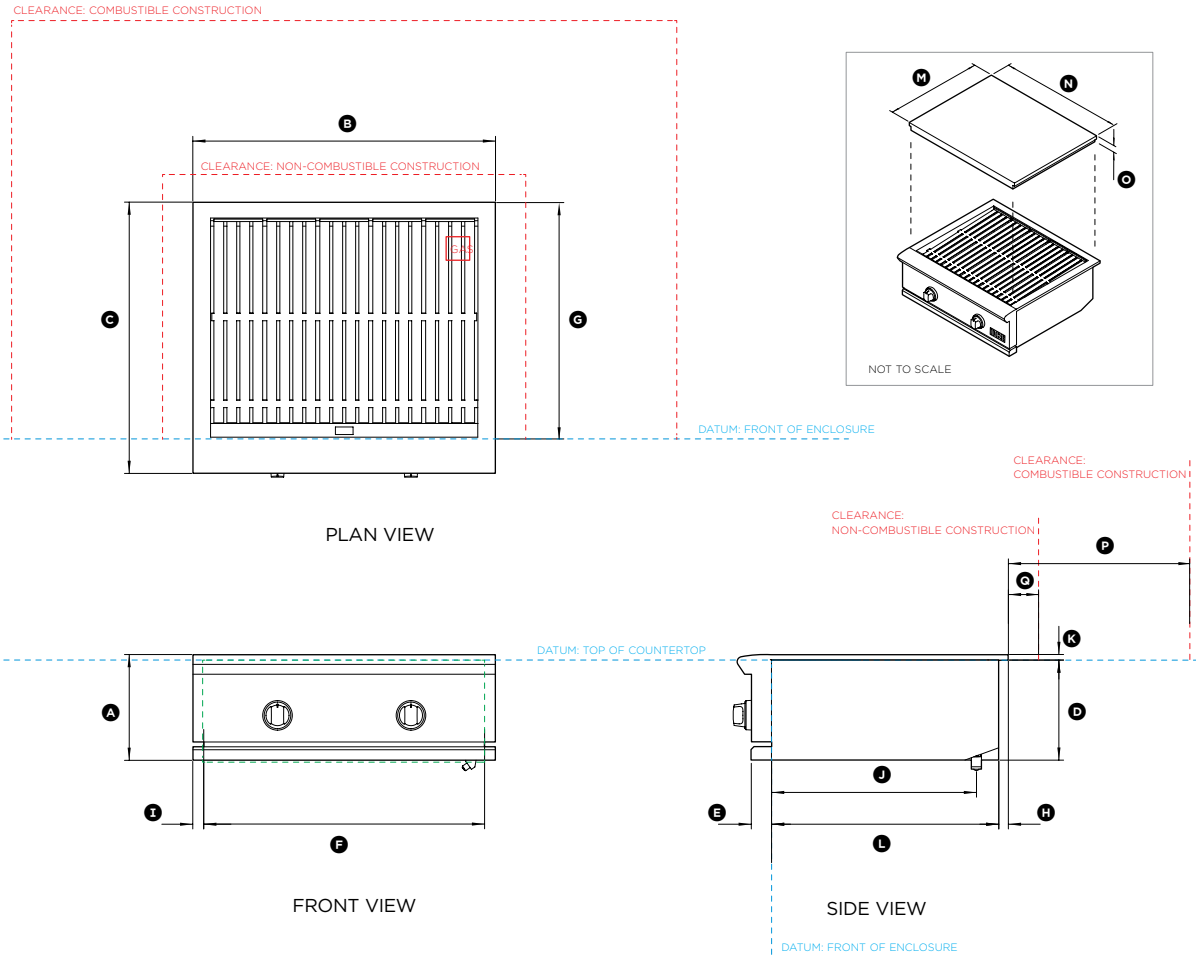
NOTE: If the griddle is to be placed into a combustible enclosure, an approved insulated jacket is necessary. Use only the DCS insulated jacket which has specifically been designed and tested for this purpose.

30" Insulated jacket model number: BGB30-IJS

INDICATES CABINETSRY / PRODUCT DATUM -----  
INDICATES CABINETSRY CLEARANCES - - - - -

IMPORTANT NOTE: Throughout this guide, dimensions may vary by ±2mm (1/16"). Please read the Installation Guide for detailed information on installing the product. For full installation instructions visit [dcsappliances.com](http://dcsappliances.com)





**Model no:**  
BE1-30AG

Product Dimensions		mm
Ⓐ Overall height	10 1/2"	266
Ⓑ Overall width	30"	762
Ⓒ Overall depth (excluding dials)	26 7/8"	683
Ⓓ Height of chassis below flange	9 15/16"	252
Ⓔ Control panel depth	2 1/16"	52
Ⓕ Width of chassis inside enclosure	27 13/16"	707
Ⓖ Front of cabinet (proud) to rear flange	23 1/2"	596
Ⓗ Depth of rear flange	1"	25
Ⓙ Width of side flanges	1 1/16"	27.5
Ⓚ Front of chassis to gas outlet	20 1/16"	509
Ⓛ Height of flange	9/16"	14
Ⓛ Depth of chassis	22 9/16"	573
Ⓜ Depth of lid	23"	585
Ⓝ Width of lid	29 1/2"	750
Ⓞ Height of lid	1 11/16"	43

**Minimum Clearances**

Ⓟ Clearance to combustibles above counter top at rear and sides	18"	457
Ⓠ Clearance to non-combustibles above counter top at rear	3"	76

NOTE: If the griddle is to be placed into a combustibles enclosure, an approved insulated jacket is necessary. Use only the DCS insulated jacket which has specifically been designed and tested for this purpose.

30" Insulated jacket model number: BGB30-IJS

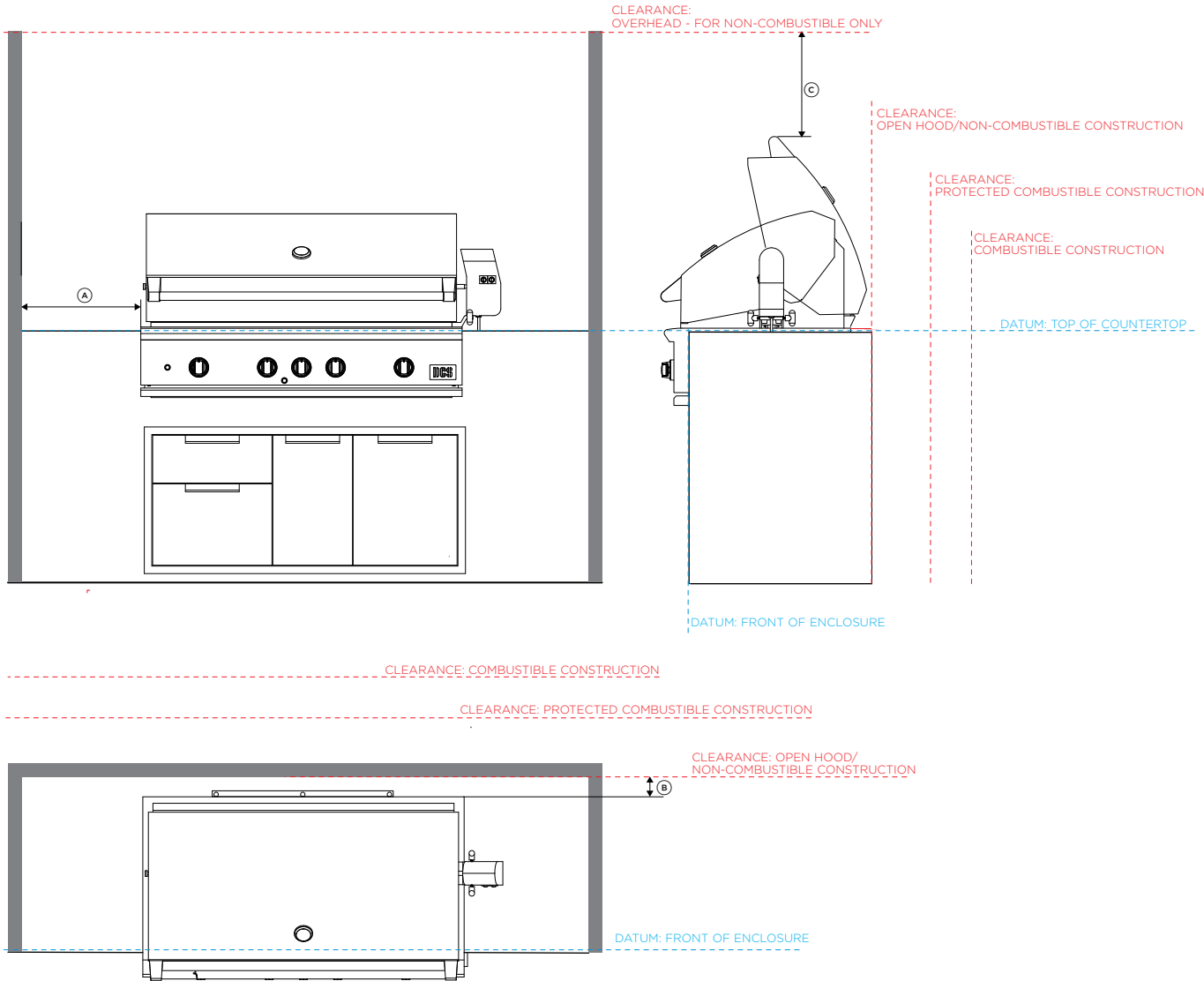
INDICATES CABINETRY / PRODUCT DATUM -----  
INDICATES CABINETRY CLEARANCES - - - - -

IMPORTANT NOTE: Throughout this guide, dimensions may vary by ±2mm (1/16"). Please read the Installation Guide for detailed information on installing the product. For full installation instructions visit [dcsappliances.com](http://dcsappliances.com)



## PLANNING CONSIDERATIONS

# SPECIFICATIONS | CLEARANCES - GRILLS



## Model no:

48" Grills - BE1-48RCI, BE1-48RC, 36" Grills - BE1-36RCI, BE1-36RC

## Product Dimensions

Clearance to non-combustible* surfaces		mm
Ⓐ	Minimum clearance to sides	153
Ⓑ	Minimum clearance to back	76
Ⓒ	Minimum clearance top of open hood to surface	610

## Clearance to combustible\*\* surfaces

Ⓐ	Minimum clearance to sides	457
Ⓑ	Minimum clearance to back	457

## Clearance to protected\*\*\* combustible surfaces

Ⓐ	Minimum clearance to sides	305
Ⓑ	Minimum clearance to back	305

\* Non-combustible materials are materials that are not capable of being ignited and burned consisting entirely of steel, iron, brick tile, concrete, slate and plaster.

\*\* Combustible materials include any decorative or structural material made of wood, compressed paper, plant fibres, vinyl, plastic or other materials that are capable of transferring heat or being ignited or burned. Such materials are considered combustible even if flame proofed, fire retardant treated, surface painted or plastered. Clearances from combustible materials of minimum 18" (457mm) apply to the internal carcass of the cabinet if an insulation jacket is not used.

\*\*\* Protected combustible surfaces have a non-combustible material (minimum 4" or 102mm) in front of or covering combustible material.

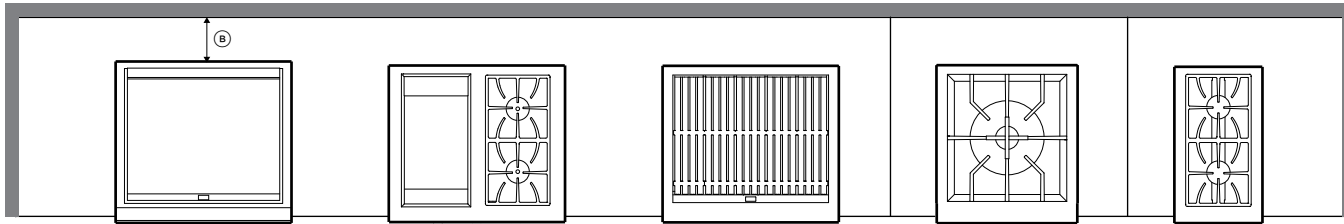
NOTE: Do not install under unprotected combustible or protected combustible construction without using a fire safe ventilation system.

If the grill is to be placed into a combustible enclosure, an approved insulated jacket is necessary. Use only the DCS insulated jacket which has specifically been designed and tested for this purpose.

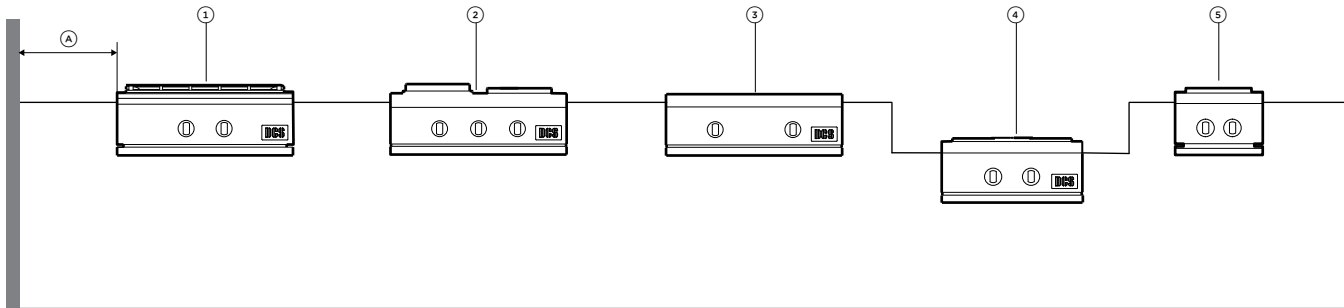
INDICATES CABINERY / PRODUCT DATUM -----  
 INDICATES CABINERY CLEARANCES - - - - -

IMPORTANT NOTE: Throughout this guide, dimensions may vary by ±2mm (1/16"). Please read the Installation Guide for detailed information on installing the product. For full installation instructions visit [dcsappliances.com](http://dcsappliances.com)

TOP VIEW



FRONT VIEW



Model no:

30" Griddles - ① GDE1-30, ② GDSBE1-30

Product Dimensions

Clearance to non-combustible* surfaces above counter top			mm
④	Minimum clearance to sides	6"	152
⑤	Minimum clearance to back	3"	76

Clearance to combustible\*\* surfaces above counter top

④	Minimum clearance to sides	12"	305
⑤	Minimum clearance to back	12"	305

Model no:

Specialty Cooking - ③ BE1-30AG, ④ 24" PBE1-24

Clearance to non-combustible* surfaces above counter top			mm
④	Minimum clearance to sides	3"	76
⑤	Minimum clearance to back	3"	76

Clearance to combustible\*\* surfaces above counter top

④	Minimum clearance to sides	18"	457
⑤	Minimum clearance to back	18"	457

Model no:

14" Specialty Cooking - ⑤ SBE1-142

Clearance to combustible\*\* surfaces above counter top

④	Minimum clearance to sides	6"	152
⑤	Minimum clearance to back	6"	152

\* Non-combustible materials are materials that are not capable of being ignited and burned consisting entirely of steel, iron, brick tile, concrete, slate and plaster.

\*\* Combustible materials include any decorative or structural material made of wood, compressed paper, plant fibres, vinyl, plastic or other materials that are capable of transferring heat or being ignited or burned. Such materials are considered combustible even if flame proofed, fire retardant treated, surface painted or plastered. Clearances from combustible materials of minimum 18" (457mm) apply to the internal carcass of the cabinet if an insulation jacket is not used.

\*\*\* Protected combustible surfaces have a non-combustible material (minimum 4" or 102mm) in front of or covering combustible material.

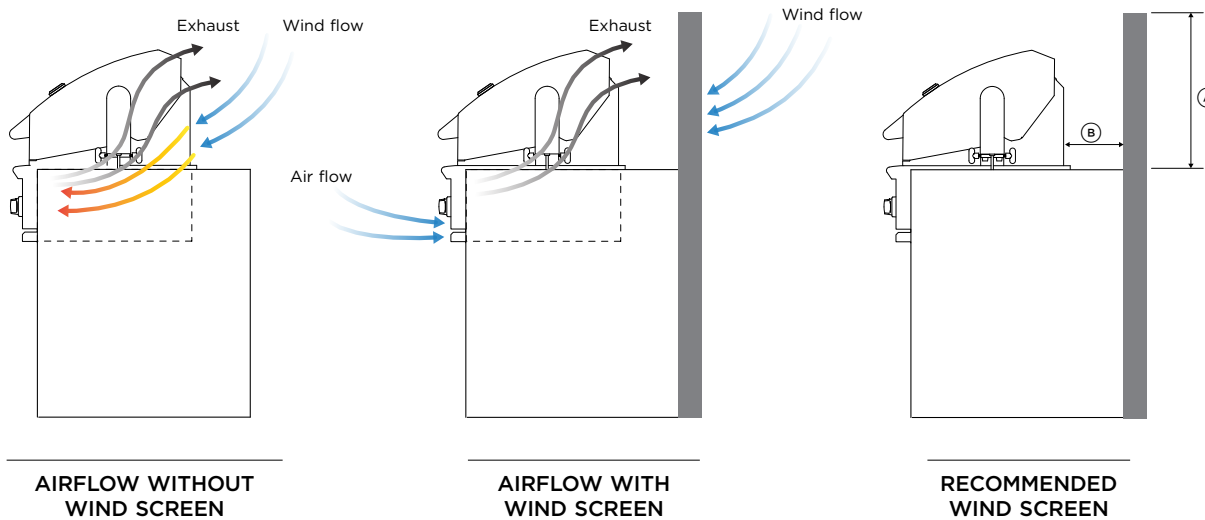
INDICATES CABINETS / PRODUCT DATUM -----  
 INDICATES CABINETS CLEARANCES - - - - -

IMPORTANT NOTE: Throughout this guide, dimensions may vary by ±2mm (1/16"). Please read the Installation Guide for detailed information on installing the product. For full installation instructions visit [dcsappliances.com](http://dcsappliances.com)



# SPECIFICATIONS | WIND SCREEN PROTECTION

Wind hitting the grill while in use, (especially wind blowing into or across the hood gap) can cause poor performance. In some cases wind can cause the control panel to get hot. If wind is an issue, a windscreen should be added.



## Wind protection Dimensions

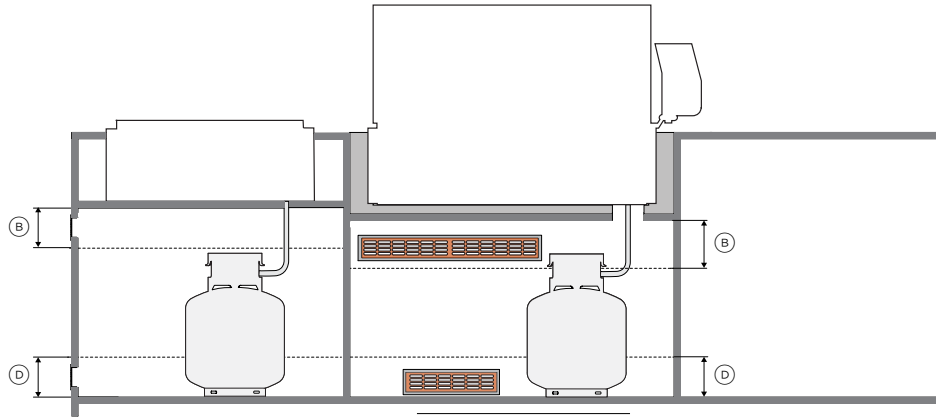
		mm
Ⓐ Minimum windscreen height	18 3/4"	476
Clearance to combustible surfaces		
Ⓑ Minimum clearance to back	18"	457
Clearance to non-combustible surfaces		
Ⓒ Minimum clearance to back	3"	76

NOTE: Wind hitting the grill while in use, (especially wind blowing into or across the hood gap) can cause poor performance and in some cases can cause the control panel to get dangerously hot. If wind is an issue, a windscreen should be added.

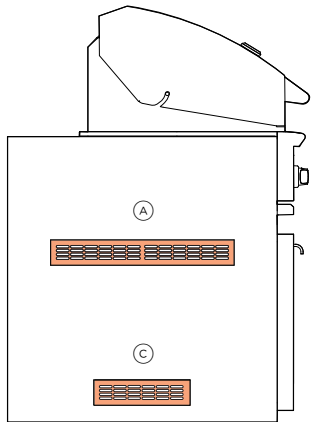
INDICATES CABINETRY / PRODUCT DATUM -----  
 INDICATES CABINETRY CLEARANCES - - - - -

IMPORTANT NOTE: Throughout this guide, dimensions may vary by ±2mm (1/16"). Please read the Installation Guide for detailed information on installing the product. For full installation instructions visit [dcsappliances.com](https://dcsappliances.com)

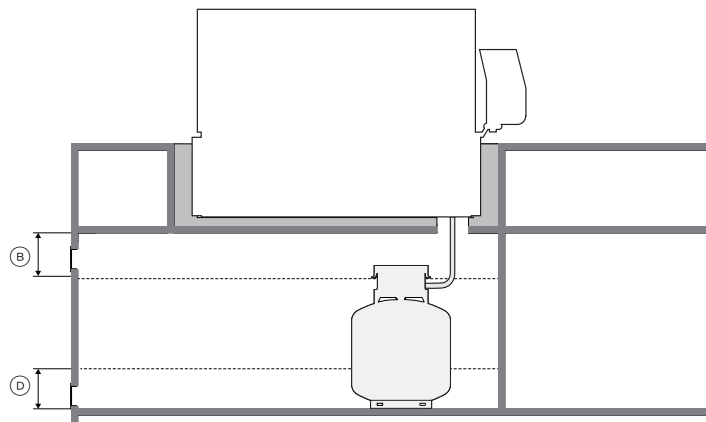
# SPECIFICATIONS | VENTILATION REQUIREMENTS FOR LP CYLINDER ENCLOSURES



**SECTION VIEW  
MULTIPLE TANKS**



**SIDE VIEW**



**SECTION SINGLE  
TANK**

## LP cylinder storage \*ventilation requirements:

### Ventilation Dimensions

(A) Upper ventilation min free area** (1" <sup>2</sup> per lb)	20" <sup>2</sup> (20lb cylinder)	129cm <sup>2</sup>
(B) Upper ventilation openings must be installed within 5" (127mm) of the top of the enclosure and unobstructed.	5"	127mm
(C) Lower ventilation min free area** (1/2" <sup>2</sup> per lb)	10" <sup>2</sup> (20lb cylinder)	64.5cm <sup>2</sup>
(D) Lower ventilation openings must be installed within 5" (127mm) of the bottom of the enclosure and unobstructed.	5"	127mm

\* Refer to ANSI Z21.58 Standard for Outdoor Cooking Gas Appliances, Section 4.6.2 Enclosures For Self Contained LP-Gas Supply Systems. Both upper and lower ventilation openings are required.

\*\*Free area is the area within an opening unobstructed by grills or dampers when in operation. Every opening must be wide enough to fit a 3/16" (4.8mm) rod.

NOTE: At least one ventilation opening shall be provided on the exposed exterior side of the enclosure located within 5" (127mm) of the top of the enclosure and unobstructed. The opening(s) shall have a total free area of not less than 1"<sup>2</sup>/lb (14.2cm<sup>2</sup>/kg) of stored fuel capacity.

At least one ventilation opening shall be provided on the exposed exterior side of the enclosure 1" (25.4mm) or less from the floor level and shall have a total free area of not less than 1/2"<sup>2</sup>/lb (7.1cm<sup>2</sup>/kg) of stored fuel capacity. The upper edge shall be no more than 5" (127mm) above the floor level.

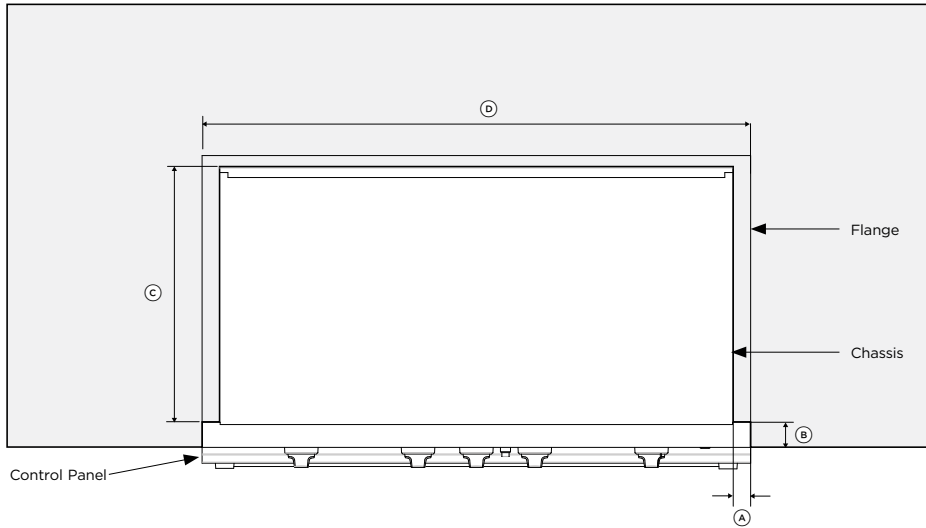
Every opening shall have a minimum dimension so as to permit the entrance of a 3/16" (4.8mm) rod.

INDICATES CABINETRY / PRODUCT DATUM -----  
INDICATES CABINETRY CLEARANCES - - - - -

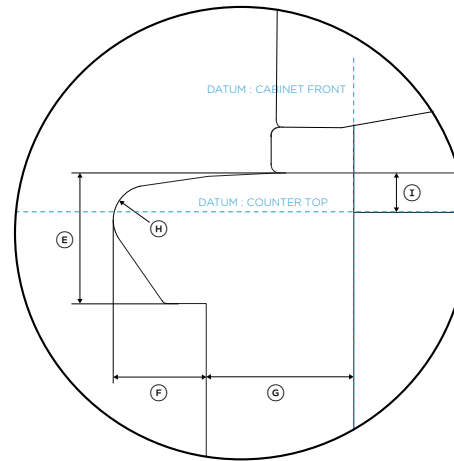
IMPORTANT NOTE: Throughout this guide, dimensions may vary by ±2mm (1/16"). Please read the Installation Guide for detailed information on installing the product. For full installation instructions visit [dcsappliances.com](https://dcsappliances.com)

# SPECIFICATIONS | BULL-NOSE EDGING DETAILS

Counter-tops with bull-nose edging or overhang require notching around the control panel of your grill or specialty cooking product. Ensure proper customization for a seamless fit.



PLAN VIEW



DETAIL VIEW - GRILL BULL-NOSE

## Bull-nose Dimensions

Non-combustible counter-top notch dimensions		mm
Ⓐ Counter-top control panel notch		
Grills BE1-48RCI, BE1-36RCI, BE1-48RC, BE1-36RC	1 1/2"	38.6
Griddle GDE1-30, Griddle/Side burner GDSBE1-302	1 1/16"	27.5
All Grill BE1-30AG	11/16"	17.9
Power Burner PBE1-24	3/4"	19.3
Double Side Burner SBE1-24	1 13/32"	36
Ⓑ Counter-top overhang dimensions vary according to counter-top design		
Ⓒ See Cabinet Specifications pages for your product dimensions		
Ⓓ See Cabinet Specifications pages for your product dimensions		

## Grill & specialty cooking bull-nose and control panel dimensions

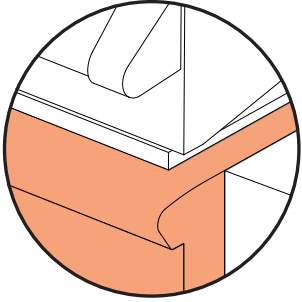
Ⓔ Bull-nose height	1 9/16"	40
Ⓕ Bull-nose to control panel	1 7/16"	36
Ⓖ Control panel to cabinet front		
Grills BE1-48RCI, BE1-36RCI, BE1-48R, BE1-36R	2 3/16"	55.6
Griddle GDE1-30	2"	51
Griddle/Side burner GDSBE1-302	2"	51
All Grill BE1-30AG	2"	51
Power Burner PBE1-24	2"	51
Double Side Burner SBE1-24	2 1/8"	55
Ⓗ Bull-nose diameter	1"	25.4
Ⓙ Flange height	9/16"	14

INDICATES CABINETRY / PRODUCT DATUM -----  
 INDICATES CABINETRY CLEARANCES - - - - -

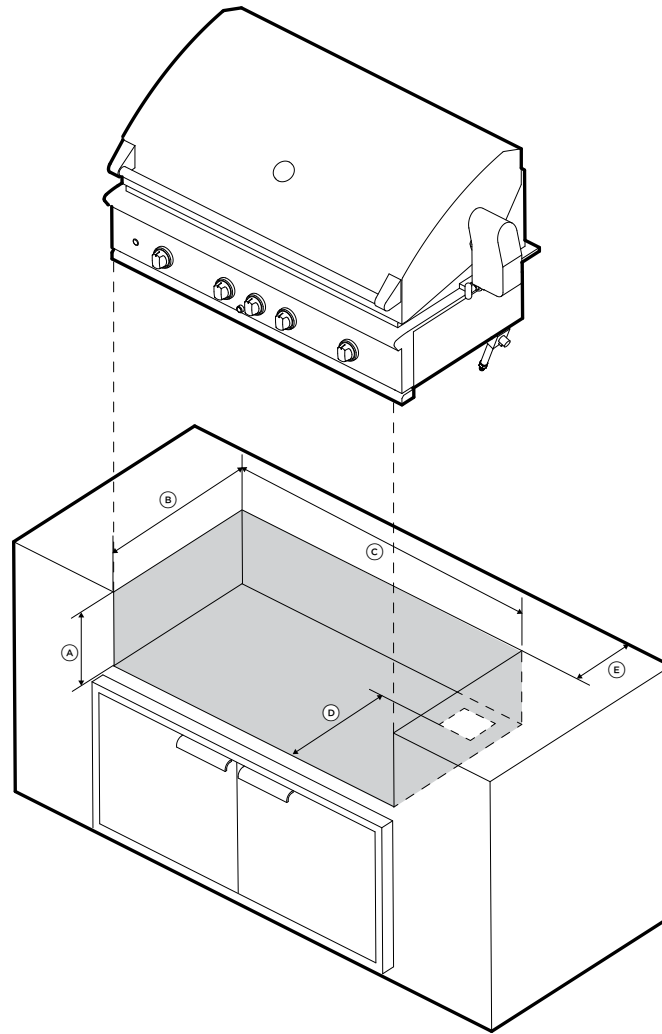
IMPORTANT NOTE: Throughout this guide, dimensions may vary by ±2mm (1/16"). Please read the Installation Guide for detailed information on installing the product. For full installation instructions visit [dcsappliances.com](https://dcsappliances.com)

## GRILL CABINET SPECIFICATIONS

# SPECIFICATIONS | GRILL INSTALLATION



NON-COMBUSTIBLE CABINET



ISO VIEW

**Model no:**  
48" Grills - BE1-48RCI, BE1-48RC

**Product Dimensions**

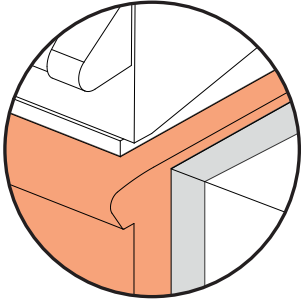
Non-combustible cabinetry		mm
Ⓐ	Cavity height	10 1/8" 257
Ⓑ	Cavity depth	22 3/4" 578
Ⓒ	Cavity width	45 3/4" 1162
Ⓓ	Depth to gas supply opening	18 1/2" 470
Ⓔ	Minimum hood swing clearance	min 3 3/4" min 95

**Model no:**  
36" Grills - BE1-36RCI, BE1-36RC

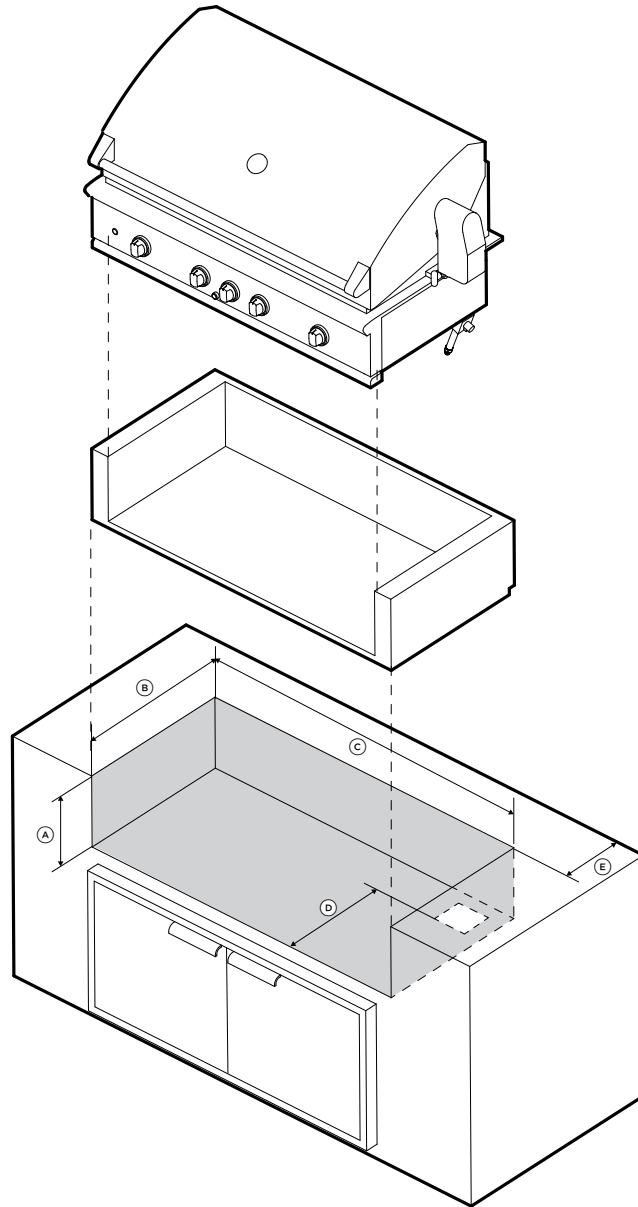
Non-combustible cabinetry		mm
Ⓐ	Cavity height	10 1/8" 257
Ⓑ	Cavity depth	22 3/4" 578
Ⓒ	Cavity width	34 1/2" 876
Ⓓ	Depth to gas supply opening	18 1/2" 470
Ⓔ	Minimum hood swing clearance	min 3 3/4" min 95

INDICATES CABINETRY / PRODUCT DATUM -----  
INDICATES CABINETRY CLEARANCES - - - - -

IMPORTANT NOTE: Throughout this guide, dimensions may vary by ±2mm (1/16"). Please read the Installation Guide for detailed information on installing the product. For full installation instructions visit [dcsappliances.com](http://dcsappliances.com)



COMBUSTIBLE CABINET WITH INSULATION JACKET



ISO VIEW

**Model no:**  
48" Grills - BE1-48RCI, BE1-48RC

**Product Dimensions**

Combustible cabinetry with insulation jacket

Ⓐ Cavity height	11 1/8"	283
Ⓑ Cavity depth	23 3/4"	603
Ⓒ Cavity width	51 7/8"	1318
Ⓓ Depth to gas supply opening	18 1/2"	470
Ⓔ Minimum hood swing clearance	min 3"	min 76

**Model no:**  
36" Grills - BE1-36RCI, BE1-36RC

Combustible cabinetry with insulation jacket

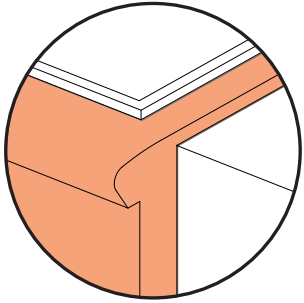
Ⓐ Cavity height	11 1/8"	283
Ⓑ Cavity depth	23 3/4"	603
Ⓒ Cavity width	40 1/2"	1029
Ⓓ Depth to gas supply opening	18 1/2"	470
Ⓔ Minimum hood swing clearance	min 2 27/32"	min 72

INDICATES CABINERY / PRODUCT DATUM -----  
INDICATES CABINERY CLEARANCES - - - - -

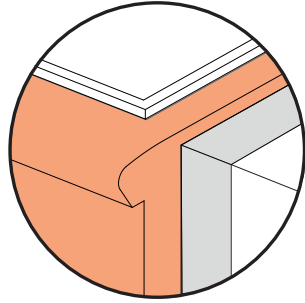
IMPORTANT NOTE: Throughout this guide, dimensions may vary by ±2mm (1/16"). Please read the Installation Guide for detailed information on installing the product. For full installation instructions visit [dcsappliances.com](http://dcsappliances.com)

## SPECIALTY COOKING CABINET SPECIFICATIONS

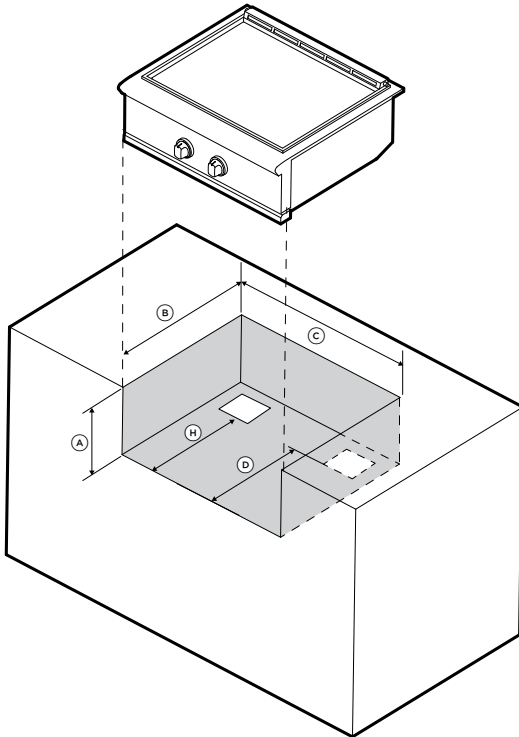
# SPECIFICATIONS | SPECIALTY COOKING INSTALLATION



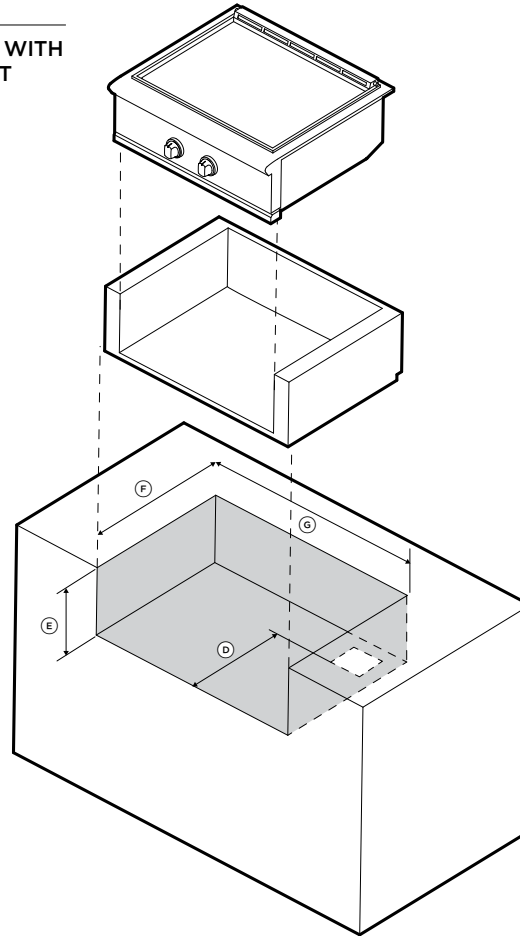
NON-COMBUSTIBLE CABINET



COMBUSTIBLE CABINET WITH INSULATION JACKET



ISO VIEW



ISO VIEW

**Model no:**

30" Specialty Cooking - GDE1-30, GDSBE1-302, BE1-30AG

**Product Dimensions**

Non-combustible cabinetry		mm
Ⓐ Cavity height	10 1/8"	257
Ⓑ Cavity depth	22 3/4"	578
Ⓒ Cavity width	28 1/2"	724
Ⓓ Depth to gas supply opening (right)	18 1/2"	470

Combustible cabinet with insulation jacket

Ⓔ Cavity height	11 1/8"	283
Ⓕ Cavity depth	23 3/4"	603
Ⓖ Cavity width	34 7/8"	886

**Model no:**

24" Specialty Cooking - PBE1-24

Non-combustible cabinetry

Ⓐ Cavity height	10 1/8"	257
Ⓑ Cavity depth	22 3/4"	578
Ⓒ Cavity width	22 1/2"	572
Ⓓ Depth to gas supply opening (right)	18 1/2"	470

Combustible cabinet with insulation jacket

Ⓔ Cavity height	11 1/8"	283
Ⓕ Cavity depth	23 3/4"	603
Ⓖ Cavity width	28 7/8"	734

**Model no:**

14" Specialty Cooking - SBE1-142

Non-combustible cabinetry

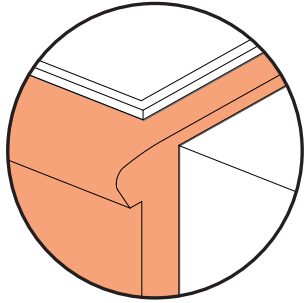
Ⓐ Cavity height	10 1/8"	257
Ⓑ Cavity depth	22 3/4"	578
Ⓒ Cavity width	12 1/8"	308
Ⓗ Depth to gas supply opening (left)	18 1/2"	470

INDICATES CABINETRY / PRODUCT DATUM -----  
 INDICATES CABINETRY CLEARANCES - - - - -

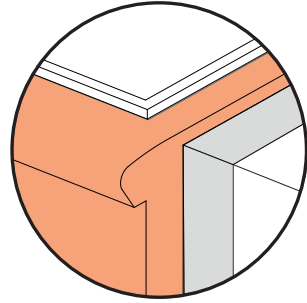
IMPORTANT NOTE: Throughout this guide, dimensions may vary by ±2mm (1/16"). Please read the Installation Guide for detailed information on installing the product. For full installation instructions visit [dcsappliances.com](http://dcsappliances.com)



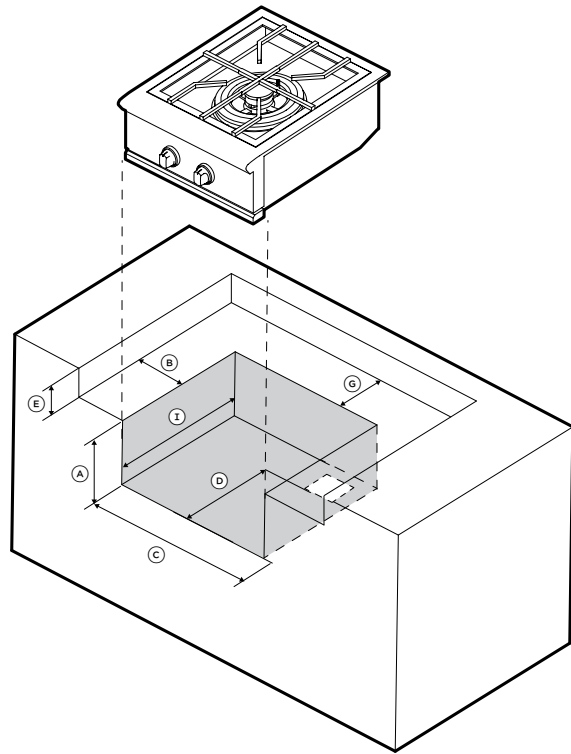
# SPECIFICATIONS | 24" POWER BURNER - RECESSED CAVITY INSTALLATION



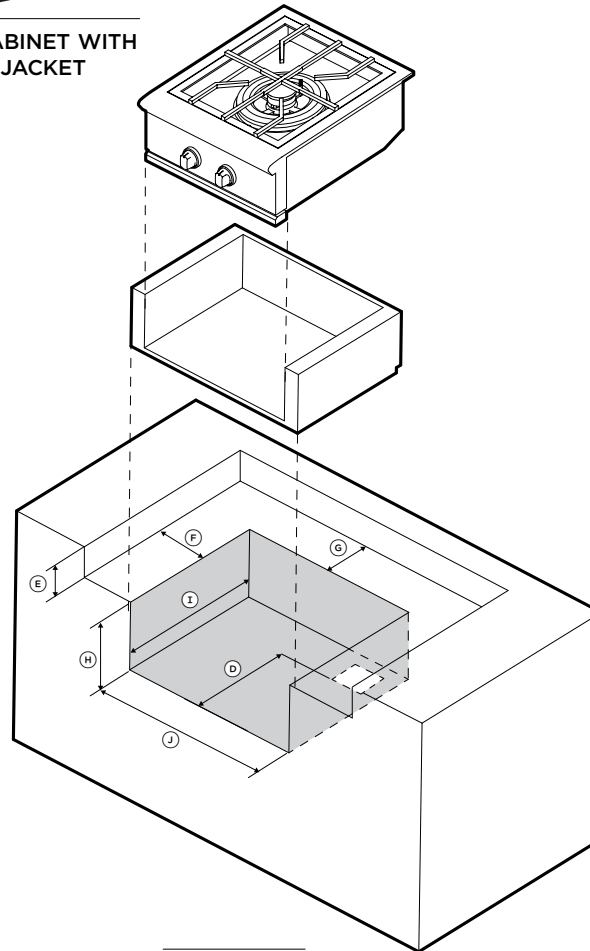
NON-COMBUSTIBLE CABINET



COMBUSTIBLE CABINET WITH INSULATION JACKET



ISO VIEW



ISO VIEW

**Model no:**

24" Specialty Cooking - PBE1-24

**Product Dimensions**

Non-combustible cabinetry		mm
Ⓐ Cavity height	10 1/8"	257
Ⓑ Cavity depth	22 3/4"	578
Ⓒ Cavity width	22 1/2"	572
Ⓓ Depth to gas supply opening	18 1/2"	470
Ⓔ Height of counter-top recess	6-12"	152-305
Ⓕ Minimum distance to recess sides	6"	152
Ⓖ Minimum distance to recess back	3"	76

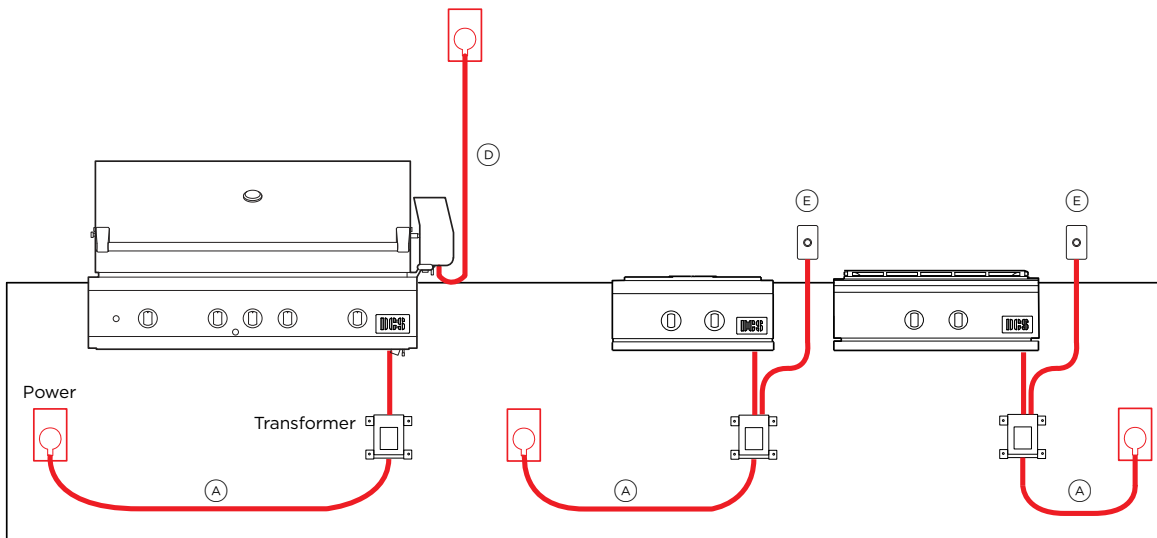
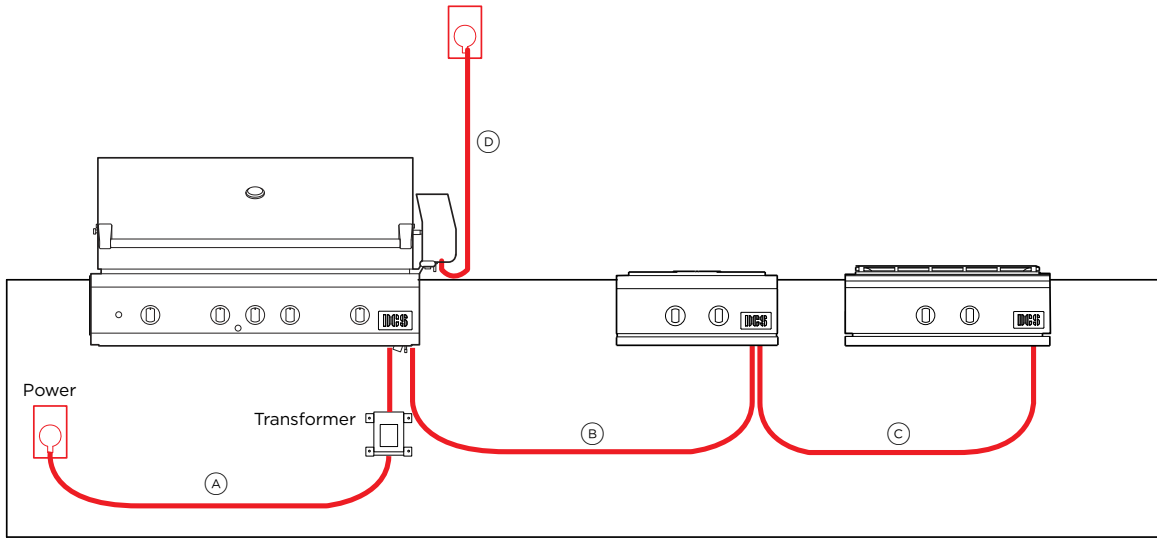
**Combustible cabinet with insulation jacket**

Ⓓ Depth to gas supply opening	18 1/2"	470
Ⓔ Height of counter-top recess	6-12"	152-305
Ⓕ Minimum distance to recess sides	6"	152
Ⓖ Minimum distance to recess back	3"	76
Ⓐ Cavity height	11 1/8"	283
Ⓑ Cavity depth	23 3/4"	603
Ⓒ Cavity width	28 7/8"	734

INDICATES CABINETRY / PRODUCT DATUM -----  
 INDICATES CABINETRY CLEARANCES - - - - -

IMPORTANT NOTE: Throughout this guide, dimensions may vary by ±2mm (1/16"). Please read the Installation Guide for detailed information on installing the product. For full installation instructions visit [dcsappliances.com](http://dcsappliances.com)

## SERVICES



**Maximum Distance of Cords**

**Model Numbers:**

Grills - BE1-48RCI, BE1-36RCI, BE1-48RC, BE1-36RC  
 Specialty cooking - GDE1-30, GDSBE1-302, BE1-30AG, PBE1-24, SBE1-142  
 Interconnectivity connector cables - BGA-4PC, BGA-6PC  
 External lighting power button - BGA-LB DCS

**Product Dimensions**

		mm
(A)	Maximum power cord length from transformer	63" 1600
(B)	4ft Extension cable (BGA-4PC) length	48" 1200
(C)	6ft Extension cable (BGA-6PC) length	72" 1800
(D)	Maximum rotisserie power cord length transformer	31 1/2" 800
(E)	External lighting power button can be used with 4ft & 6ft extension cables	

**Specifications**

**Electrical**

Supply	120V 60Hz
Service	13-15A

NOTE: Use only a Ground Fault Interrupter (GFI) protected circuit with these products. An outdoor 120VAC 15A GFI electrical outlet must be installed by a qualified electrician.

IMPORTANT NOTE: Throughout this guide, dimensions may vary by ±2mm (1/16"). Please read the Installation Guide for detailed information on installing the product. For full installation instructions visit [dcsappliances.com](http://dcsappliances.com)

