



Professional Access Drawers
ADR models

Tiroirs d'accès professionnel
Modèles ADR

**Installation instructions
and User guide**

**Instructions d'installation
et Guide d'utilisation**

US CA

A MESSAGE TO OUR CUSTOMERS

Thank you for selecting these DCS by Fisher & Paykel Professional Access Drawers. Because of this product's unique features we have developed this Installation Guide. It contains valuable information on how to properly install and maintain your new Professional Access Drawers for years of safe and enjoyable use.

To help serve you better, please fill out and submit your Product Registration by visiting our website at www.dcsappliances.com and selecting "Customer Care" on the home page and then select "Product Registration". In addition, keep this guide handy, as it will help answer questions that may arise as you use your new Access Drawers.

For your convenience, product questions can be answered by a DCS by Fisher & Paykel Customer Care Representative at 1-888-936-7872, or email: customer.care@fisherpaykel.com.

Note: Please write the model, code, and serial numbers on this page for reference (located on the sticker on the rear brace in the tank side - see Fig. 04).

Model number _____ Code _____ Serial number _____

NOTE: Inspect the product to verify that there is no shipping damage. If any damage is detected, call the shipper and initiate a damage claim. DCS by Fisher & Paykel is not responsible for shipping damage.

DO NOT discard any packing material (box, pallet, straps) until the unit has been inspected.



WARNING

1. Do Not store or use gasoline or other flammable vapors and liquids inside or in the vicinity of this or any other appliance.
2. An LP cylinder not connected for use shall not be stored inside or in the vicinity of this unit.



FOR YOUR SAFETY

1. Do not allow children or pets to play in or around the Access Drawers.
2. Clean the Access Drawers regularly using a mild dish washing liquid and water.
3. To maintain the exterior appearance, apply a stainless steel polish to the outside surfaces on a regular basis.
4. Sanitize the Access Drawers surfaces each season as necessary.
5. To prevent the formation of mold or mildew, do not store cloth napkins or tablecloths in the Access Drawers for long periods.
6. Cooking utensils that are stored in the Access Drawers should be stored in sealable plastic bags and/or washed each time before re-use.
7. To prevent personal injury or damage to the drawers, do not overload them. The maximum rating per drawer is 75 pounds.



WARNING



- Closing drawers may cause injury to your hands or fingers.
- Always close or open drawers using their handles.
- Be sure to keep hands away from drawer edges when opening or closing drawers.

TABLE OF CONTENTS

SAFETY PRACTICES & PRECAUTIONS	3
MODEL IDENTIFICATION & DIMENSIONS	4
SHIPPING INSPECTION	5
CABINET PREPARATION	5
INSTALLATION	
Make Cutout and Installing Support Structure - Proud installation	6
Make Cutout and Installing Support Structure - Flush installation	8
Removing Drawers	10
Slide in Access Drawers and Mount to Support Structure	10
Re-installing Drawers	11
CARE & MAINTENANCE	13
SERVICE	14

SAFETY PRACTICES AND PRECAUTIONS

1. Begin by insuring proper installation and servicing.
2. Follow the installation instructions in this manual.
3. To extend the service life of your product, be sure to follow the use and care guidelines in this manual.



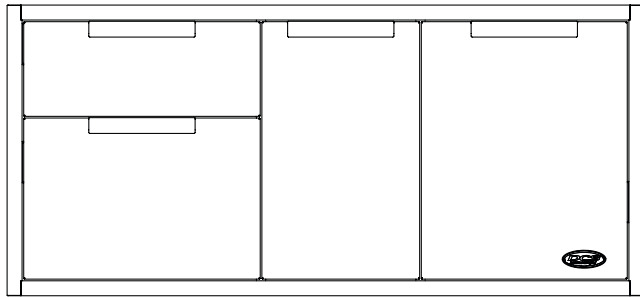
WARNING:

Do not store items of interest to children above or on the inside of any appliance. Children could be seriously injured if they should climb onto or into the appliance to reach these items.

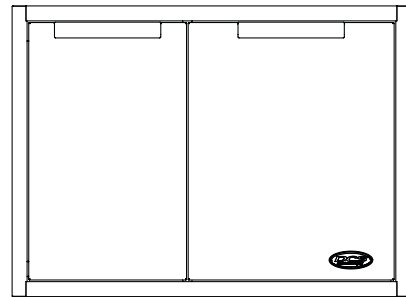
PLEASE RETAIN THIS MANUAL FOR FUTURE REFERENCE

MODEL IDENTIFICATION & DIMENSIONS

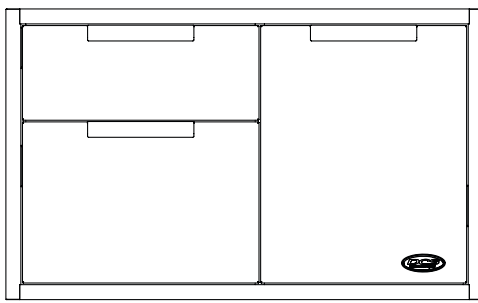
ADR2-48



ADR2-30



ADR2-36



ADR2-24

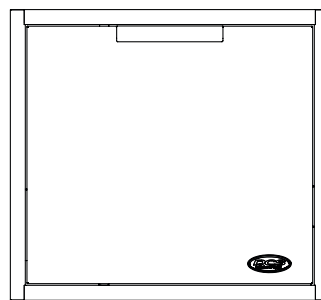


Fig. 1

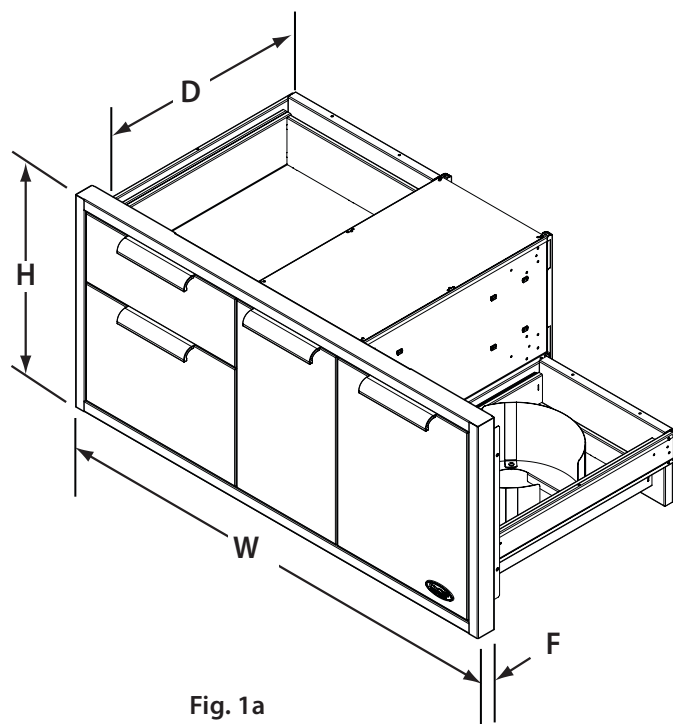


Fig. 1a

DIMENSIONS				
Model	D	W	H	F
ADR2-48	23-1/2"	48"	21-7/8"	2"
ADR2-36	23-1/2"	36"	21-7/8"	2"
ADR2-30	23-1/2"	30"	21-7/8"	2"
ADR2-24	23-1/2"	24"	21-7/8"	2"

SHIPPING INSPECTION

1. Inspect the Access Drawers to verify that there is no shipping damage.
2. If any damage is detected, call the shipper and initiate a damage claim. DCS by Fisher & Paykel is not responsible for shipping damage.

NOTE: Do not discard any packing material (box, pallet, straps) until the unit has been inspected.

- Operate the drawers to be sure they glide smoothly.
- Examine the drawer fronts to be sure there are no dents or scratches or discoloring.

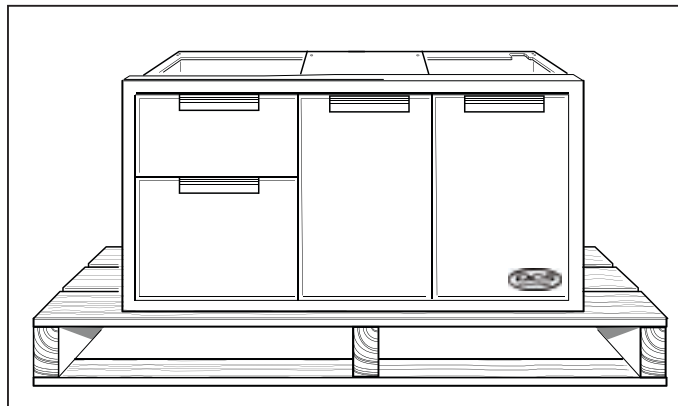


Fig. 2

CABINET PREPARATION

- Cabinet face should be clean and flat.
- All angles must be at 90° and plumb.
- Support structure must be resistant to moisture damage.
- All gas lines and plumbing must be done before installing access drawers.
- Do not use any harsh products (acid, solvent, sealers) around this unit.
- Any cabinet and/or ground preparations must be completed prior to installation.

INSTALLATION

MAKE CUTOUT AND INSTALL SUPPORT STRUCTURE - PROUD INSTALLATION

1. Make a cut-out in your cabinet or island with the following dimensions (Fig. 3A):

NOTE: Each corner of the cutout should be 90° for the Access Drawers to fit properly.

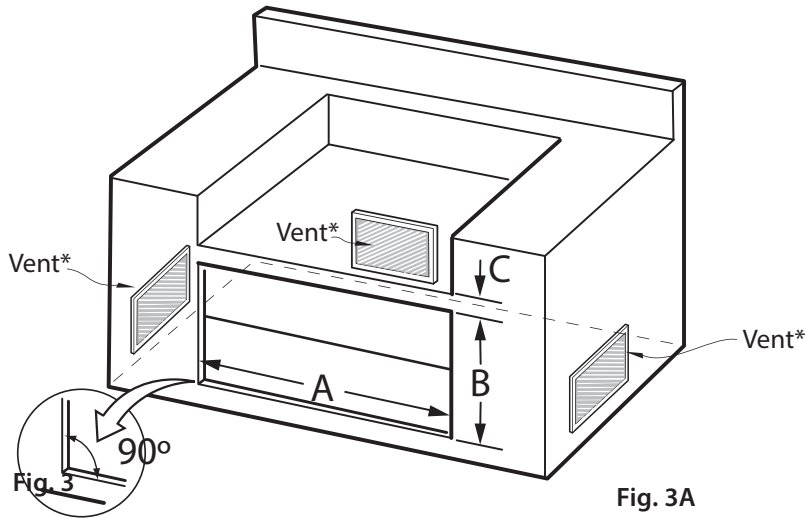


Fig. 3A

* Island installation to use minimum of 3 vents providing 10 sq. in. per vent (typical).

CUTOUT DIMENSIONS			
Model	A (-0,+1/8")	B (-0,+1/8")	C
ADR2-48	46"	20"	1.0" min.
ADR2-36	34"	20"	1.0" min.
ADR2-30	28"	20"	1.0" min.
ADR2-24	22"	20"	1.0" min.

2. Place 2 X 4s to provide support for the Access Drawers structure in the locations indicated in Fig. 4A.
3. Board lengths are provided in the table Fig. 5A.

INSTALLATION

To ensure proper drawer operation, be sure your support boards are flat & level.

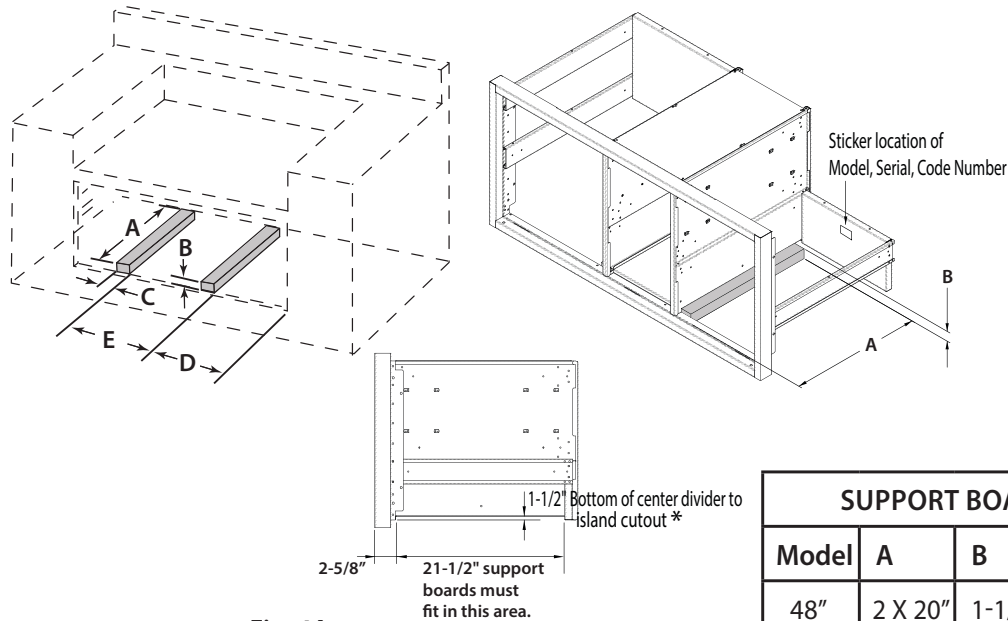


Fig. 4A

SUPPORT BOARD DIMENSIONS					
Model	A	B	C	D	E
48"	2 X 20"	1-1/2"*	3-1/2" min.	14	12
36"	20"	1-1/2"*	3-1/2" min.	14	-
30"	2 X 20"	1-1/2"*	3-1/2" min.	14	12
24"	20"	1-1/2"*	3-1/2" min.	14	-

Fig. 5A

*Dependent on application. Top of support boards must be 1/2" above the bottom edge of the cutout.

- When installing your support boards, be sure they are level.
- Ensure that the bottom of the center divider rests on top of the support boards as shown (Fig. 4A).

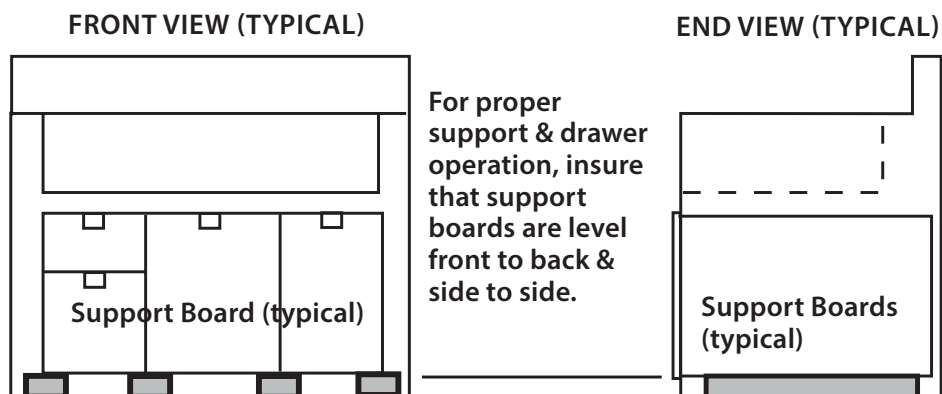


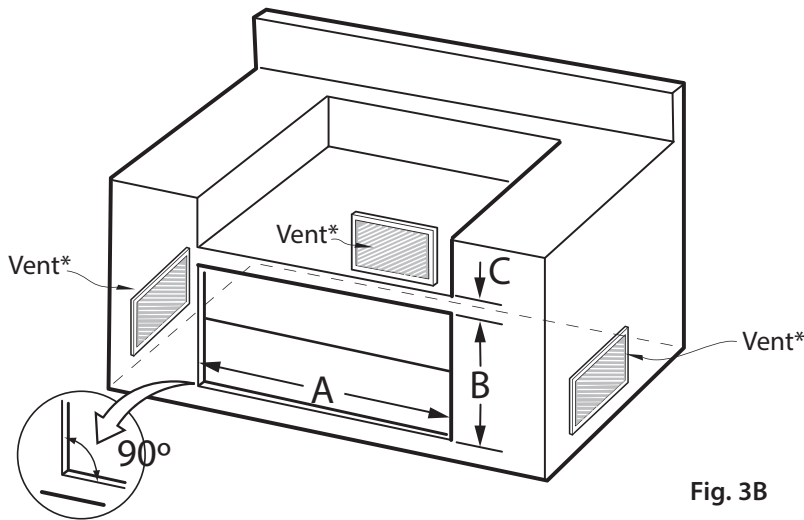
Fig. 6A

INSTALLATION

MAKE CUTOUT AND INSTALL SUPPORT STRUCTURE - FLUSH INSTALLATION

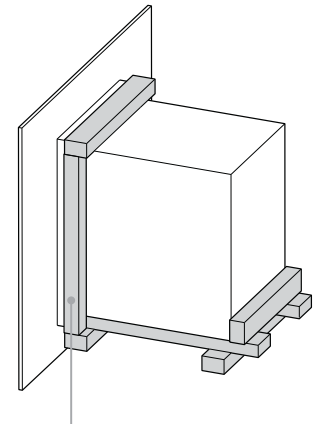
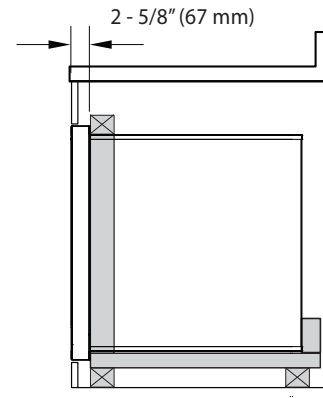
1. Make a cut-out in your cabinet or island with the following dimensions:

NOTE: Each corner of the cutout should be 90° for the Access Drawers to fit properly.



* Island installation to use minimum of 3 vents providing 10 sq. in. per vent (typical).

CUTOUT DIMENSIONS				
Model	A (-0,+1/8")	B (-0,+1/8")	C	D
ADR2-48	48 3/16"	22-1/16"	1.0" min.	1.0" min.
ADR2-36	36 3/16"	22-1/16"	1.0" min.	1.0" min.
ADR2-30	30 3/16"	22-1/16"	1.0" min.	1.0" min.
ADR2-24	24 3/16"	22-1/16"	1.0" min.	1.0" min.

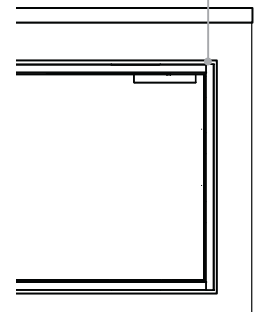


A frame should be constructed 2" (51 mm) setback from the front face of the product to both push the product up against and conceal the cutout clearance around the front frame.

Important!

Do not seal the product in with silicone caulk or similar. Doing so will result in the product being difficult to remove for servicing.

Minimum 3/16" (4 mm) cutout clearance around front frame



2. Place 3" X 4"s to provide support for the Access Drawers structure in the locations indicated in the figure opposite (Fig. 4B).
3. Board lengths are provided in the table opposite (Fig. 5B).

Note: The frame should locate the Access Drawer assembly in the center of the cutout, and be fastened to the enclosure such that the unit is reliably secured in place.

INSTALLATION

To ensure proper drawer operation, be sure your support boards are flat & level.

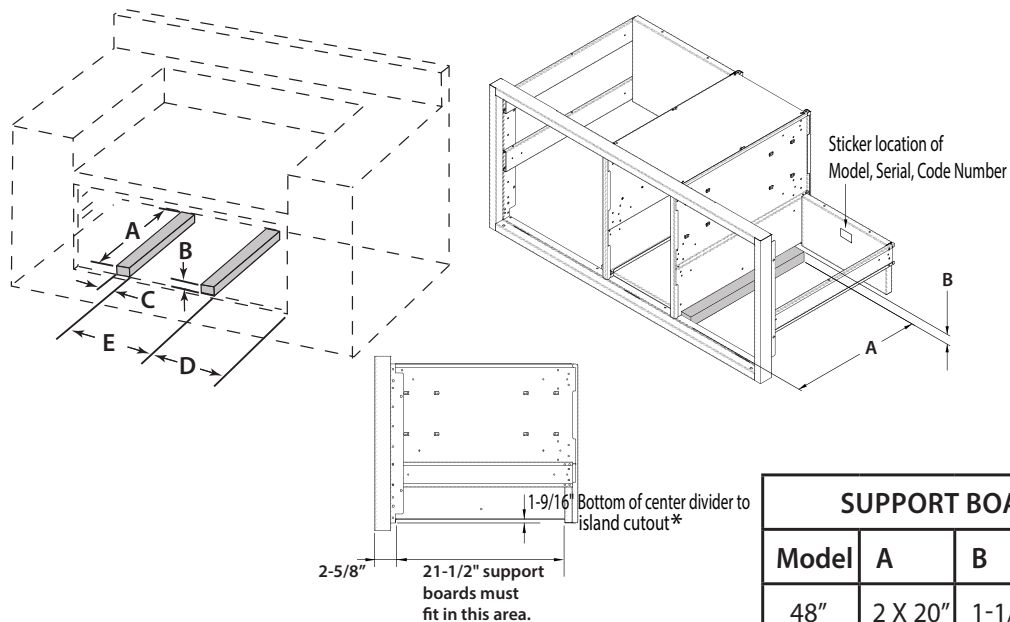


Fig. 4B

SUPPORT BOARD DIMENSIONS					
Model	A	B	C	D	E
48"	2 X 20"	1-1/2"*	3-1/2" min.	15	12
36"	20"	1-1/2"*	3-1/2" min.	15	-
30"	2 X 20"	1-1/2"*	3-1/2" min.	15	12
24"	20"	1-1/2"*	3-1/2" min.	15	-

Fig. 5B

*Dependent on application. Top of support boards must be 1-9/16" above the bottom edge of the cutout.

Leave a 2" set back for the flush installation.

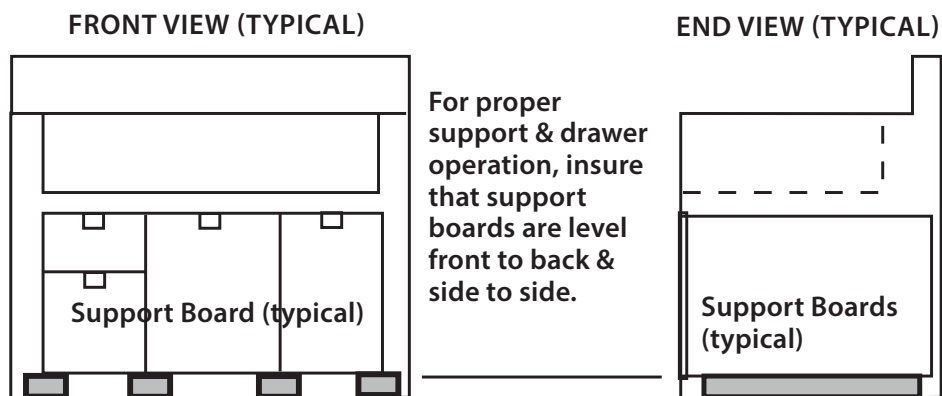


Fig. 6B

INSTALLATION

REMOVING DRAWERS

1. Once the unit has been inspected, remove the drawers by pulling them out until their slider latch is visible. Carefully push the latch down on the left side while pulling up on the right side and pull the drawers completely out of the frame (Fig. 7).
2. To prevent damage to surfaces, place the drawers on a stable surface on a protective towel or table cloth.

TO REMOVE THE ADR2-24 DRAWER, pull the drawer out and lift the end by the handle to disengage the rollers (Fig. 8).

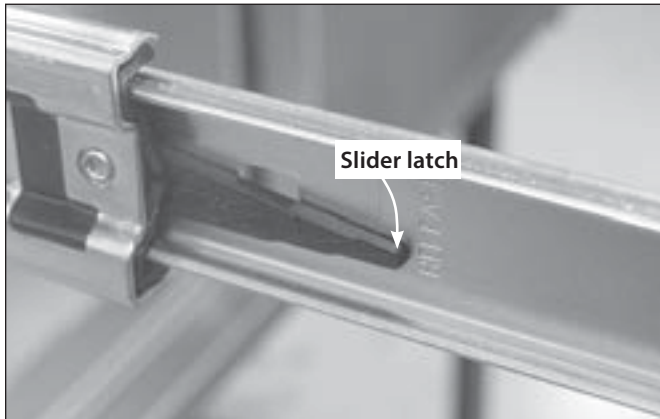


Fig. 7



Fig. 8

SLIDE IN FRAME AND MOUNT TO SUPPORT STRUCTURE

1. With the help of an assistant, lift the unit and slide it into the cabinet cutout. Adjust for level and fit.
2. Locate mounting holes on the frame (Fig. 9 and views). Secure the unit using screws suited for the type of cabinet material.

NOTE: Depending on the wall thickness and location of mounting holes, an additional board may be required to properly receive the screws.

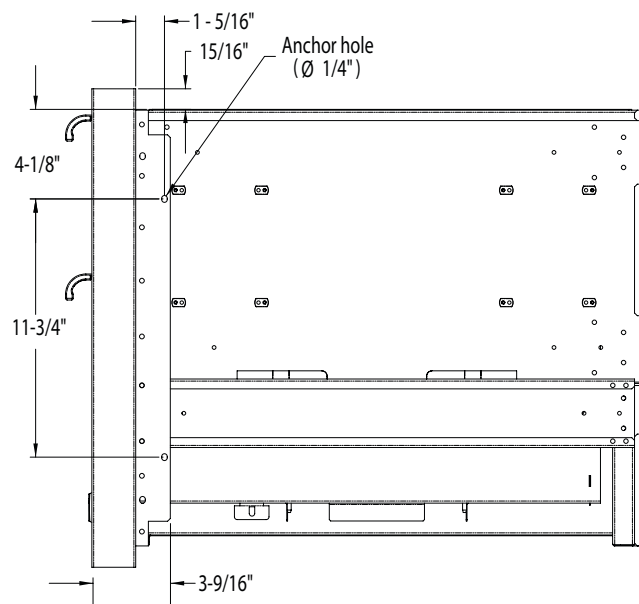


Fig. 9

INSTALLATION

RE-INSTALLING DRAWERS

1. Re-install the drawers by extending their guides as shown in Fig. 10.
2. While holding the drawer parallel to the cabinet, carefully align & engage the ends of the glides. Slide the drawer in about an inch so that the glides are supporting the back of the drawer (Fig. 11).



Fig. 10

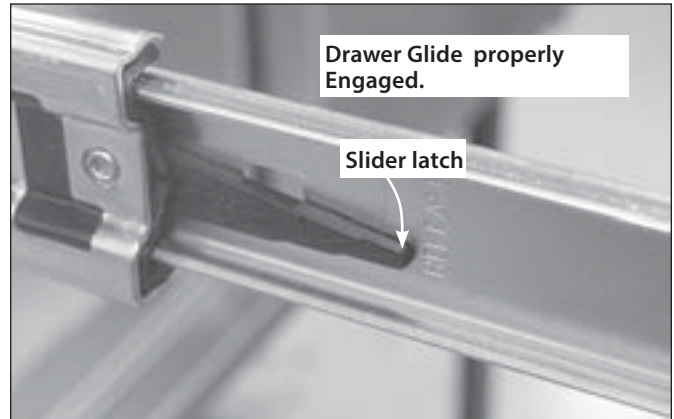


Fig. 11

3. While holding the drawer up by the handle, pull the glides from the drawer cavity out over the drawer glide until they click (Fig. 12).
4. As you push the drawers in, you will encounter moderate resistance. Continue to push the drawer all the way in to complete the engagement process. The drawer will now glide smoothly in & out with light effort (Fig. 13).



Fig. 12



Fig. 13

INSTALLATION

5. Your LP tank will be installed in the recess provided in the bottom of the right compartment (Fig. 14).

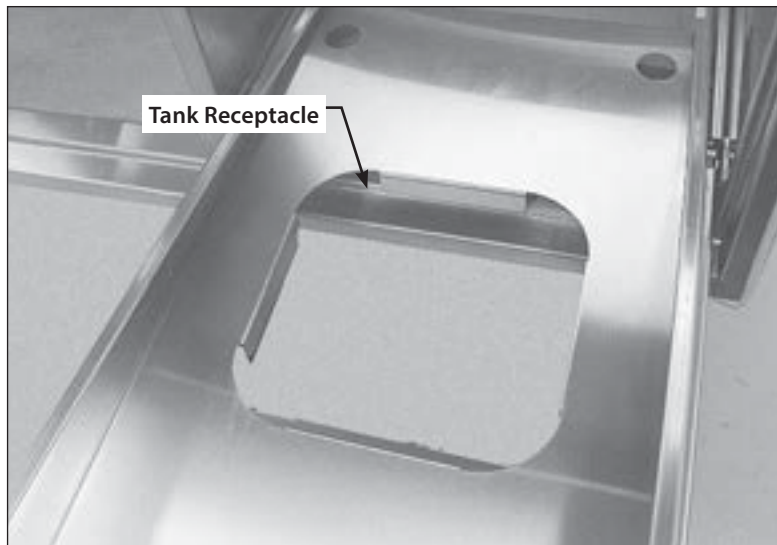


Fig. 14

6. When connecting the LP tank to your grill be certain that all connections are tight. Once gas connections are made, test for gas leaks.
7. On models so equipped, install the two (2) racks provided into the opening by sliding them onto the rollers on the sidewalls of the center cavity (Fig. 15).



Fig. 15

CARE & MAINTENANCE

The Access Drawers are made from corrosion-resistant and non-magnetic stainless steel. All parts of the Access Drawers can be cleaned with hot soapy water, rinsed, dried and buffed to a shine with a soft, heavy cloth. Always try this first, as it is the mildest cleaning procedure. There are many different stainless steel cleaners available. Always use the mildest cleaning procedure first, scrubbing in the direction of the grain to avoid marring the surface. The cleaner will be more effective when used in the direction of the grain (polish lines).

1. Some brands of cleaners of the same type are harsher than others, read their directions. A scent or a propellant can make a difference in the product, read the ingredients. Try on a small area first.
2. To touch up noticeable scratches in the stainless steel, sand very lightly with wet 100 grit emery paper in the direction of the grain.
3. Specks of grease can gather on the surfaces of the stainless steel and bake on to the surface and give the appearance of rust. For removal use an abrasive pad (Scotch Brite is good) in conjunction with a stainless steel cleaner. Always rub in the direction of the grain.
4. Use only clean sponges, soft cloths, paper towels, plastic non-metal soap pads for cleaning or scouring as recommended in this section. (Use only soap pads with soap still in them. An empty pad can scratch.)
5. Be sure to rinse all parts thoroughly and to wipe dry to avoid water marks.

NOTE: Stainless steel tends to corrode in presence of chlorides and sulfides especially in coastal areas. To ensure corrosion prevention, wash all stainless steel surfaces every 3-4 weeks with fresh water and stainless cleaner.

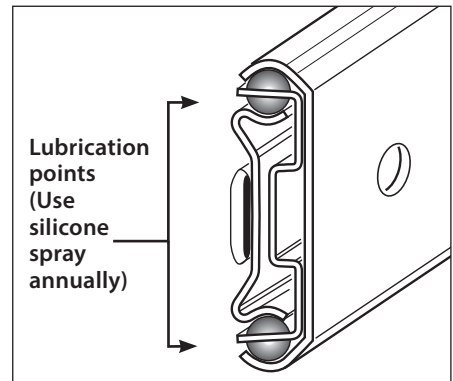


Fig. 16

BRAND NAME CLEANERS

In this section on cleaning, the use of name brands is intended only to indicate a type of cleaner.

This does not constitute an endorsement. The omission of any name brand cleaner does not imply its adequacy or inadequacy. Many products are regional in distribution and can be found in local markets and department stores.

MAINTENANCE

After cleaning, use a stainless steel polish, such as Stainless Steel Magic® applied to the drawer and handle surfaces.

To maintain the smooth operation of the drawers, spray the bearing areas with silicone spray lubricant annually (Fig. 16).

ACCESSORIES

1. Freezer Pack (optional, Kit #70696A)(Fig. 17). This cold-assist Ice Pack (BLUICE) fits snugly into the roller rack found on the 30" and 48" Access Drawers and CAD carts.
2. Waste Basket Holder (optional, Kit #70906)(Fig. 18)
3. Bottom Cover (optional, Kit #70907)(Fig. 19)

NOTE: To order these accessories, please contact Fisher & Paykel Customer Care at 1-888-936-7872.

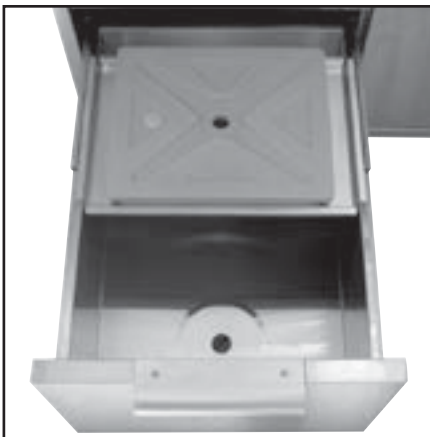


Fig. 17 - Freezer Pack (optional)

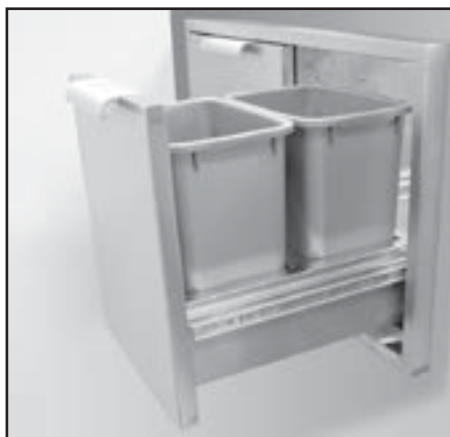


Fig. 18 - Waste Basket Holder (optional)



Fig. 19 - Bottom Cover (optional)

SERVICE

For warranty service, please contact your local service provider or DCS Customer Care Representative at (888) 936-7872 or go to our website at www.dcsappliances.com and choose "Customer Care" to find your nearest Authorized Service Center. Before you call, please have the following information ready:

- Model Number (located on the sticker on the rear brace in the tank side - see Fig. 04).
- Serial Number (located on the sticker on the rear brace in the tank side - see Fig. 04).
- Code Number (located on the sticker on the rear brace in the tank side - see Fig. 04).
- Date of installation
- A brief description of the problem

Your satisfaction is of the utmost importance to us. If a problem cannot be resolved to your satisfaction, please write or email us at:

Write:

Fisher & Paykel Appliances, Inc.
Attention: DCS Customer Care
DCS Customer Care
695 Town Center Drive, Suite 180 Costa Mesa.
CA 92626-1902 USA
email: customer.care@fisherpaykel.com

A L'INTENTION DE NOS CLIENTS

Nous vous remercions d'avoir choisi ces tiroirs professionnels DCS by Fisher & Paykel. Nous avons conçu ce Manuel d'utilisation et d'entretien pour expliquer les fonctions uniques de ces appareils. Ce manuel contient des informations extrêmement utiles sur la façon correcte de les installer, les faire fonctionner et en faire l'entretien. Vous pourrez ainsi en profiter pendant des années en toute sécurité.

Aidez-nous à mieux vous servir en remplissant l'enregistrement de produit et en nous le soumettant depuis notre site Web à www.dcsappliances.com. Sélectionnez « Customer Care » sur la page d'accueil puis « Product Registration ». De plus, gardez ce manuel à portée de main afin de rapidement trouver réponse à vos questions durant l'utilisation de votre nouvel appareil.

Si vous avez des questions au sujet de notre produit, communiquez avec un représentant du centre de service à la clientèle DCS par téléphone : 1-888-936-7872, ou par courriel : customer.care@fisherpaykel.com.

REMARQUE : Veuillez noter les numéros de modèle, code, et de série sur cette page pour information (situé sur l'autocollant sur la contrefiche arrière du côté réservoir - voir Fig. 04)

NUMÉRO DE MODÈLE _____ CODE _____ NUMÉRO DE SÉRIE _____

REMARQUE : Inspecter le produit pour vérifier qu'il n'a pas été endommagé pendant l'expédition. En cas de dommages, contacter le transporteur et entamer une déclaration pour dommage. DCS by Fisher & Paykel n'est en aucun cas responsable des dommages pendant l'expédition.

Ne pas jeter le matériau d'emballage (boîte, palette, sangles) avant d'avoir inspecté l'unité.



AVERTISSEMENT

1. Évitez de stocker ou d'utiliser de l'essence ou tout autre liquide et vapeur inflammable à l'intérieur ou à proximité de cet appareil ou de tout autre.
2. Évitez de ranger une bouteille de gaz propane (qui n'est pas connectée car non utilisée) à l'intérieur ou à proximité de cet appareil ou de tout autre.



POUR VOTRE SÉCURITÉ

1. Ne laissez pas des enfants ou des animaux de compagnie jouer à l'intérieur ou autour des tiroirs.
2. Nettoyez les tiroirs périodiquement avec un détergent liquide pour vaisselle doux et de l'eau.
3. Pour préserver l'aspect extérieur, appliquez un produit à polir pour acier inoxydable sur les surfaces extérieures sur une base régulière.
4. Désinfectez les surfaces des tiroirs à chaque saison au besoin.
5. Pour éviter la formation de moisissure, évitez de ranger des serviettes de table en tissu ou des nappes dans les tiroirs pendant des périodes prolongées.
6. Les ustensiles de cuisson rangés dans les tiroirs doivent être placés dans des sacs en plastique scellables ou lavés chaque fois avant d'être réutilisés.
7. Pour éviter des blessures corporelles ou ne pas endommager les tiroirs, évitez de les surcharger. Le poids maximum par tiroir est de 34 kg (75 lb).



WARNING



- Closing drawers may cause injury to your hands or fingers.
- Always close or open drawers using their handles.
- Be sure to keep hands away from drawer edges when opening or closing drawers.

TABLE DES MATIERES

MESURES DE SECURITE ET DE PRECAUTION	2
IDENTIFICATION DU MODELE ET DIMENSIONS	3
INSPECTION APRES LIVRAISON	4
PRÉPARATION DE L'ÉLÉMENT	5
INSTALLATION	
Effectuer la découpe et installer la structure de support	6
Retrait des tiroirs	7
Enfoncer les tiroirs et les monter sur la structure de support	9
Réinstallation des tiroirs	10-11
ENTRETIEN ET MAINTENANCE	12
ACCESSOIRES	13
SERVICE	14

MESURES DE SECURITE ET DE PRECAUTION

1. Commencez par vous assurer que l'installation et l'entretien sont effectués correctement.
2. Suivez les instructions d'installation du manuel.
3. Pour prolonger la durée de vie utile du produit, suivez les consignes d'utilisation et d'entretien de ce manuel.

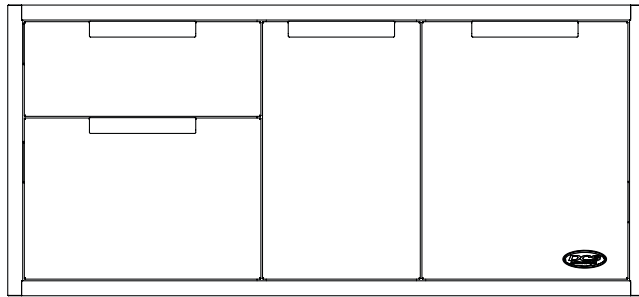


AVERTISSEMENT :

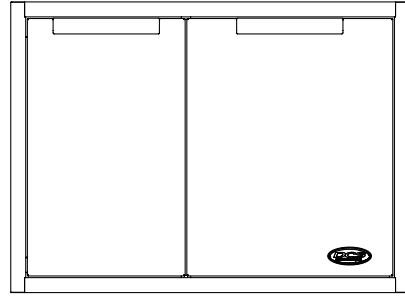
Évitez de ranger au-dessus ou à l'intérieur d'un quelconque appareil des articles pouvant attirer les enfants. Ceux-ci peuvent se blesser sérieusement s'ils grimpent sur ou à l'intérieur de l'appareil pour atteindre l'objet en question.

IDENTIFICATION DU MODELE ET DIMENSIONS

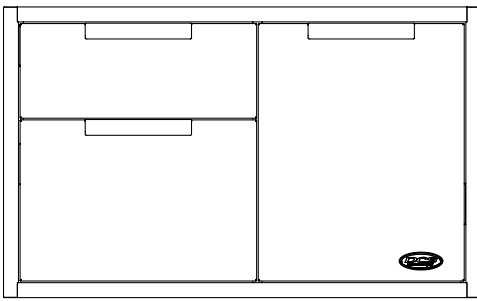
ADR2-48



ADR2-30



ADR2-36



ADR2-24

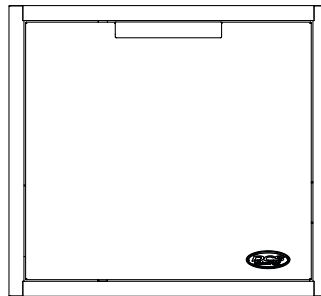


Fig. 1

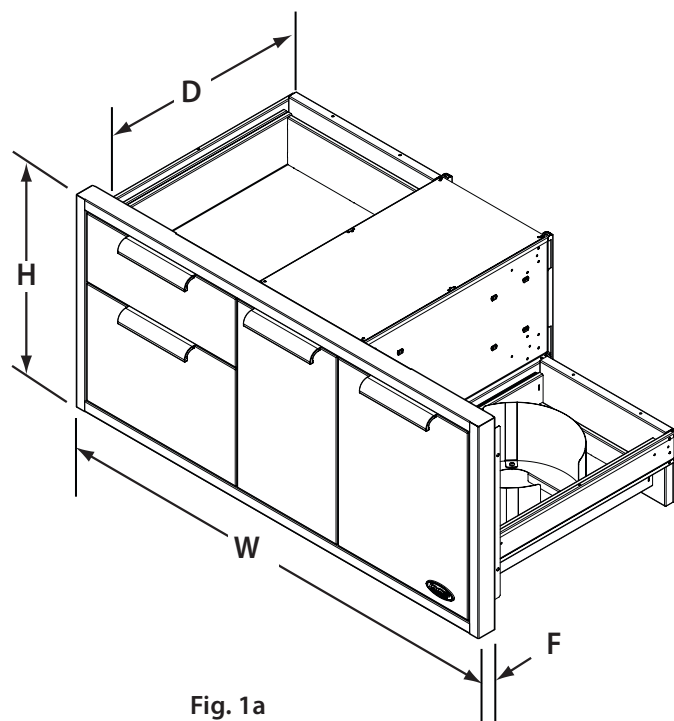


Fig. 1a

DIMENSIONS/COTES				
MODELE	D	W	H	F
ADR2-48	59,7 cm	121,9cm	55,6 cm	5,1 cm
ADR2-36	59,7 cm	91,4 cm	55,6 cm	5,1 cm
ADR2-30	59,7 cm	76,2 cm	55,6 cm	5,1 cm
ADR2-24	59,7 cm	61 cm	55,6 cm	5,1 cm

INSPECTION APRES LIVRAISON

1. Inspectez les tiroirs pour vous assurer qu'ils n'ont subi aucun dommage durant le transport.
2. Le cas échéant, appelez le transporteur et soumettez une réclamation pour dommages. DCS by Fisher & Paykel n'est pas responsable des dommages subis durant le transport.

REMARQUE : Ne jetez aucun matériel d'emballage (boîte, palette, sangles) avant d'avoir inspecté l'appareil.

- Faites fonctionner les tiroirs pour vous assurer qu'ils glissent correctement.
- Examinez le devant des tiroirs pour vous assurer qu'il n'y a aucune bosse ou égratignure.

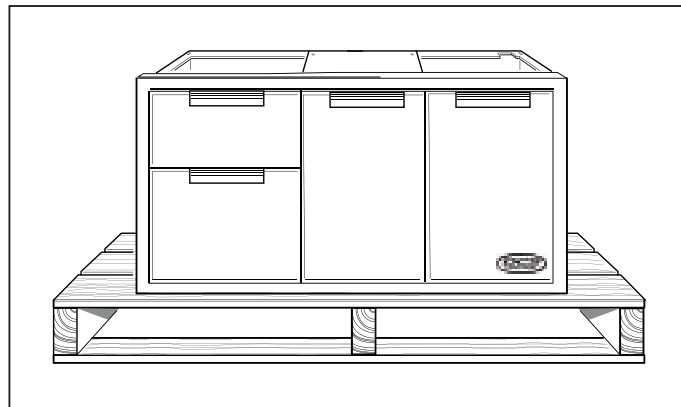


Fig. 2

PRÉPARATION DE L'ÉLÉMENT

- La face de l'élément doit être propre et plate.
- Tous les angles doivent être de 90° et d'équerre.
- La structure de support doit être résistante aux dommages de l'humidité.
- Toutes les conduites de gaz et tuyauteries doivent être effectuées avant d'installer les tiroirs d'accès.
- Ne pas utiliser de produits abrasifs (acide, solvant, produit d'étanchéité) autour de cette unité.
- Toutes les préparations d'élément et/ou de sol doivent être terminées avant l'installation.

PRÉPARATION DE L'ÉLÉMENT

EFFECTUER LA DECOUPE ET INSTALLER LA STRUCTURE DE SUPPORT - INSTALLATION SUPERPOSÉE

1. Effectuez une découpe dans votre armoire ou îlot avec les dimensions suivantes (Fig. 3A) :

REMARQUE : Chaque coin de découpe doit être de 90° pour que les tiroirs d'accès entrent correctement.

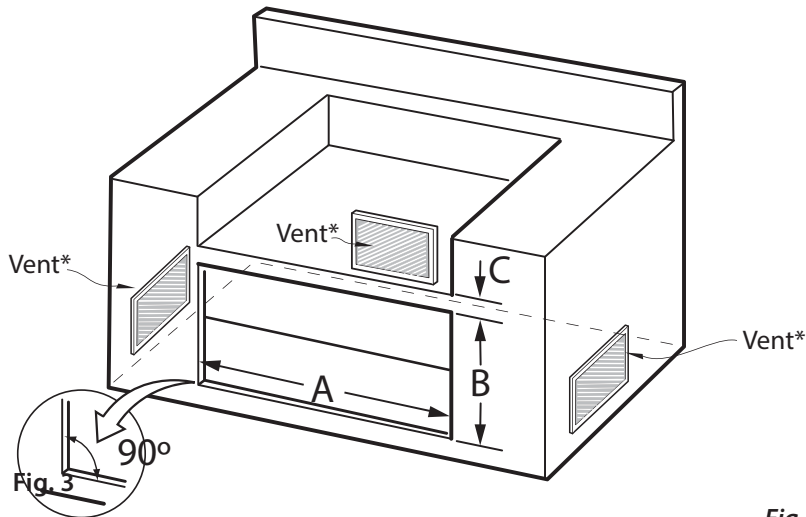


Fig. 3A

* Prévoir pour l'installation en îlot 3 événements minimum à raison de 64 cm² (10 po²) par événement (installation typique).

DIMENSIONS DES DECOUPES			
MODELE	A (-0,+0,3cm)	B (-0,+0,3cm)	C
ADR2-48	116,8 cm	50,8 cm	2,54 cm min.
ADR2-36	86,4 cm	50,8 cm	2,54 cm min.
ADR2-30	71,2 cm	50,8 cm	2,54 cm min.
ADR2-24	56 cm	50,8 cm	2,54 cm min.

2. Placez des pièces 2 x 4 pour fournir un support à la structure des tiroirs aux emplacement indiqués sur la figure (Fig. 4A).
3. La longueur des planches est indiquée dans (Fig. 5A).

INSTALLATION

Afin d'assurer le bon fonctionnement des tiroirs, assurez-vous que les planches de support sont plates et de niveau.

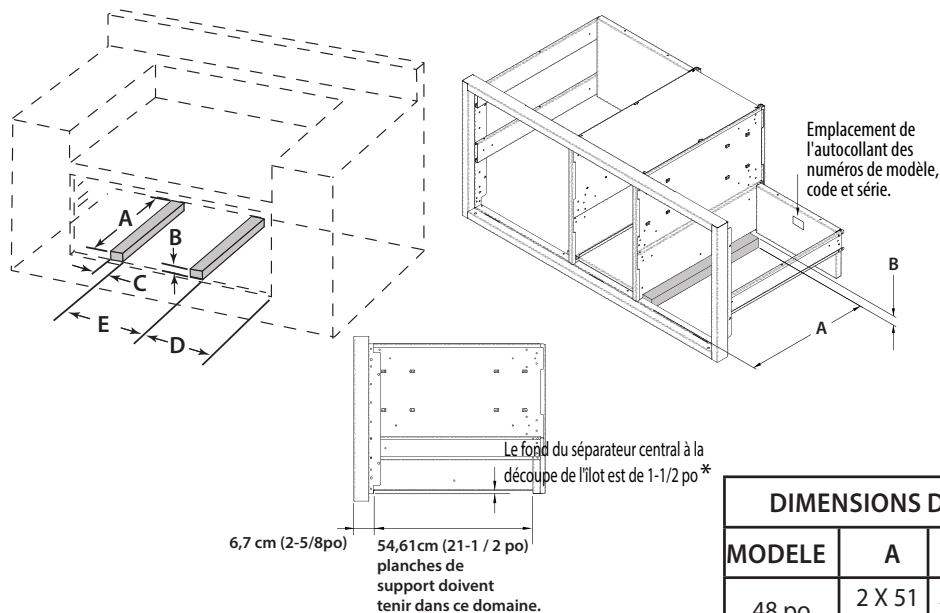


Fig. 4A

DIMENSIONS DES PLANCHES DE SUPPORT					
MODELE	A	B	C	D	E
48 po	2 X 51 cm	3,8 cm*	8,9 cm min.	35,6 cm	30,5 cm
36 po	51 cm	3,8 cm*	8,9 cm min.	35,6 cm	-
30 po	51 cm	3,8 cm*	8,9 cm min.	35,6 cm	30,5 cm
24 po	51 cm	3,8 cm*	8,9 cm min.	35,6 cm	-

Fig. 5A

*En fonction de l'application. Dessus des planches de support doit être à 1-1/2" au-dessus du chant inférieur de la découpe.

- Lors de l'installation des planches de support, assurez-vous qu'elles sont de niveau.
- S'assurer que le fond du séparateur central repose sur les planches de support comme il l'est illustré (Fig. 4).

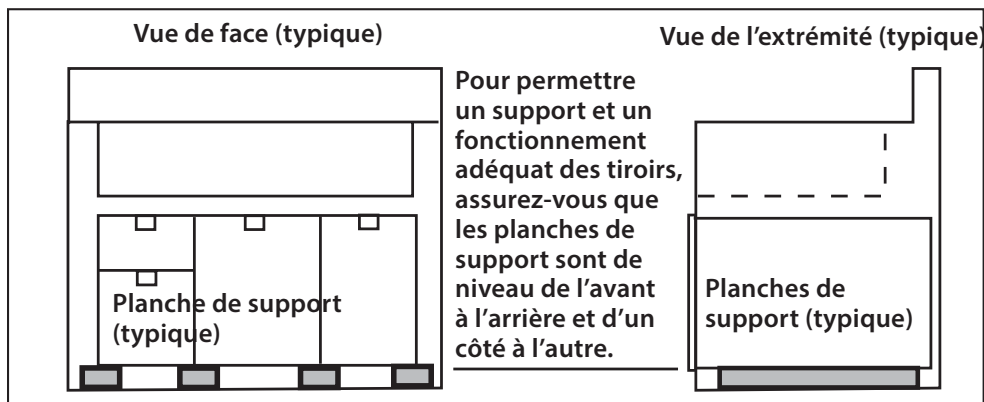


Fig. 6A

PRÉPARATION DE L'ÉLÉMENT

EFFECTUER LA DECOUPE ET INSTALLER LA STRUCTURE DE SUPPORT - INSTALLATION ENCASTRÉE

1. Effectuez une découpe dans votre armoire ou îlot avec les dimensions suivantes (Fig. 3B) :

REMARQUE : Chaque coin de découpe doit être de 90° pour que les tiroirs d'accès entrent correctement.

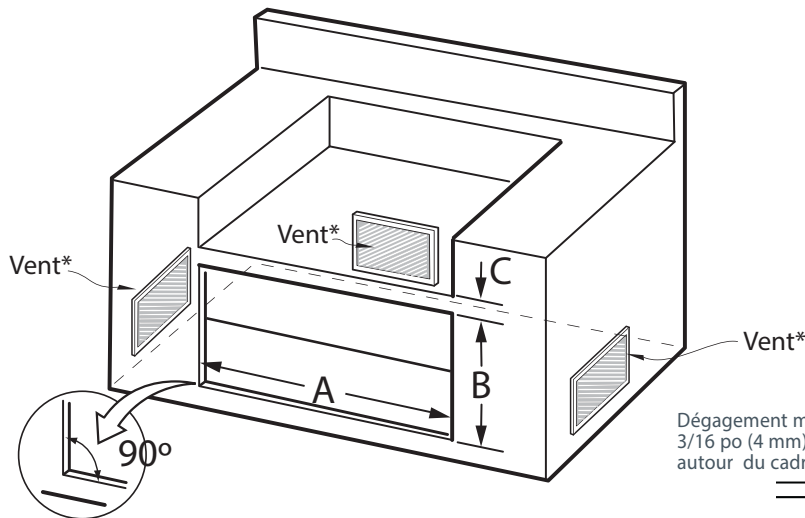
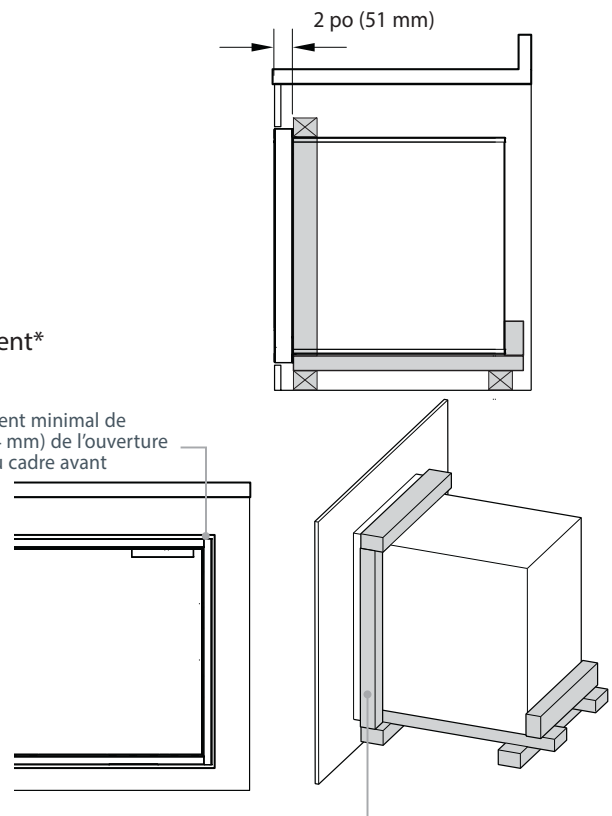


Fig. 3B

* Prévoir pour l'installation en îlot 3 événements minimum à raison de 64 cm² (10 po²) par événement (installation typique).

DIMENSIONS DES DECOUPES				
MODELE	A (-0,+0,3cm)	B (-0,+0,3cm)	C	D
ADR2-48	122,3 cm	56 cm	2,54 cm min.	2,54 cm min.
ADR2-36	91,8 cm	56 cm	2,54 cm min.	2,54 cm min.
ADR2-30	76,6 cm	56 cm	2,54 cm min.	2,54 cm min.
ADR2-24	61,4 cm	56 cm	2,54 cm min.	2,54 cm min.



Un cadre doit être construit à 2 po (51 mm) en retrait de la face avant du produit pour permettre de pousser le produit contre le cadre avant et masquer le dégagement de l'ouverture autour de ce dernier.

Le cadre doit localiser l'ensemble de porte d'accès au centre de la découpe, et être fixé à l'enceinte de telle sorte que l'appareil est maintenu en place de façon fiable.

Important!

Ne pas sceller le produit avec du mastic silicone ou similaire. Cela permettra d'entraîner dans le produit étant difficile à enlever pour l'entretien.

2. Placez des pièces 2 x 4 pour fournir un support à la structure des tiroirs aux emplacements indiqués sur la figure (Fig. 4B).
3. La longueur des planches est indiquée dans (Fig. 5B).

Le cadre doit localiser l'Assemblée accès tiroir dans le centre de la découpe, et être fixé à l'enceinte de telle sorte que l'appareil est maintenu en place de façon fiable.

INSTALLATION

Afin d'assurer le bon fonctionnement des tiroirs, assurez-vous que les planches de support sont plates et de niveau.

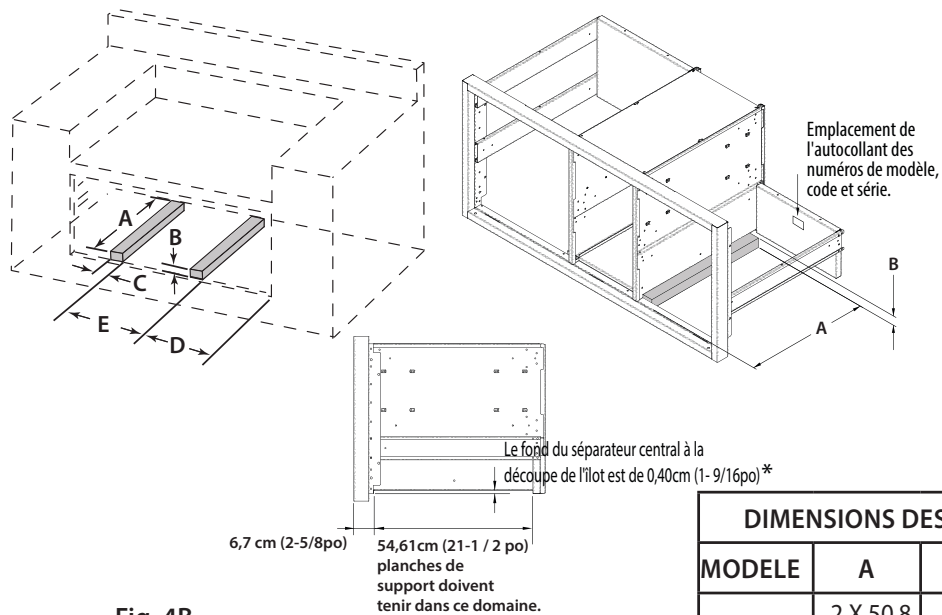


Fig. 4B

*En fonction de l'application. Dessus des 3 x 4 doit être à 1 1/2" au-dessus du chant inférieur de la découpe.

DIMENSIONS DES PLANCHES DE SUPPORT					
MODELE	A	B	C	D	E
48 po	2 X 50,8 cm	3,8 cm*	8,9 cm min.	38,1 cm	30,5 cm
36 po	50,8 cm	3,8 cm*	8,9 cm min.	38,1 cm	-
30 po	50,8 cm	3,8 cm*	8,9 cm min.	38,1 cm	30,5 cm
24 po	50,8 cm	3,8 cm*	8,9 cm min.	38,1 cm	-

Permettre un 6,7cm écart de pour montage encastré.

Fig. 5B

1. Lors de l'installation des planches de support, assurez-vous qu'elles sont de niveau.
2. S'assurer que le fond du séparateur central repose sur les planches de support comme il l'est illustré (Fig. 4).

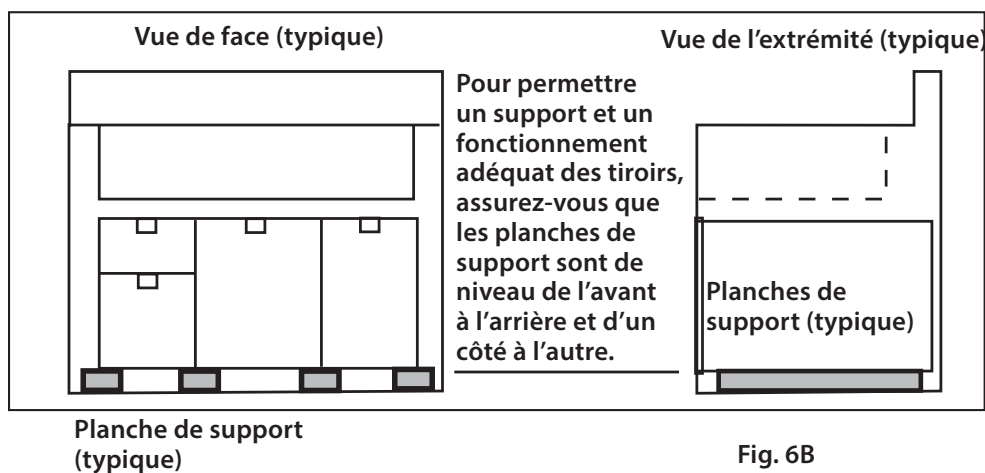


Fig. 6B

INSTALLATION

RETRAIT DES TIROIRS

1. Une fois l'appareil inspecté, retirez les tiroirs en tirant jusqu'à ce que le verrou de glissière soit visible. Enfoncez soigneusement le verrou du côté gauche tout en soulevant du côté droit, et tirez les tiroirs pour les sortir complètement du châssis (Fig. 7).
2. Pour éviter d'endommager les surfaces, placez les tiroirs sur une surface stable sur une serviette ou une nappe de protection.

Pour retirer le tiroir ADR2-24, tirez le tiroir et soulevez l'extrémité par la poignée pour dégager les roulettes (Fig. 8).



Fig. 7

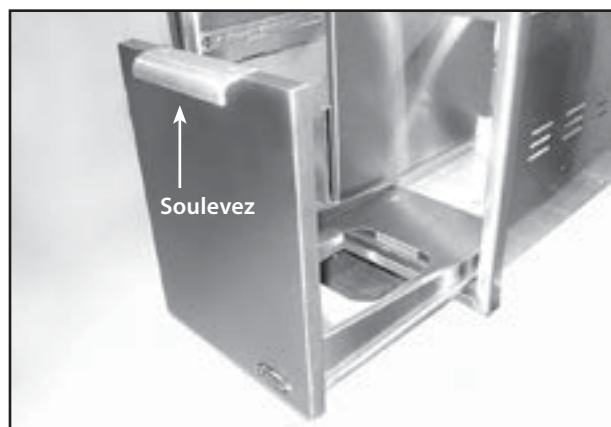


Fig. 8

ENFONCER DANS LE CADRE ET MONTER SUR LA STRUCTURE DE SUPPORT

1. Avec l'aide d'un assistant, soulever l'unité et la glisser dans la découpe de l'élément. Effectuez l'ajustement nécessaire.
2. Repérer les trous de montage sur le cadre (Fig. 9 et illustrations). Fixez l'appareil à l'aide de vis appropriées pour le type de matériau des armoires.

REMARQUE : Selon l'épaisseur du mur et l'emplacement des trous de montage, ajoutez au besoin une planche supplémentaire pour permettre une bonne prise des vis.

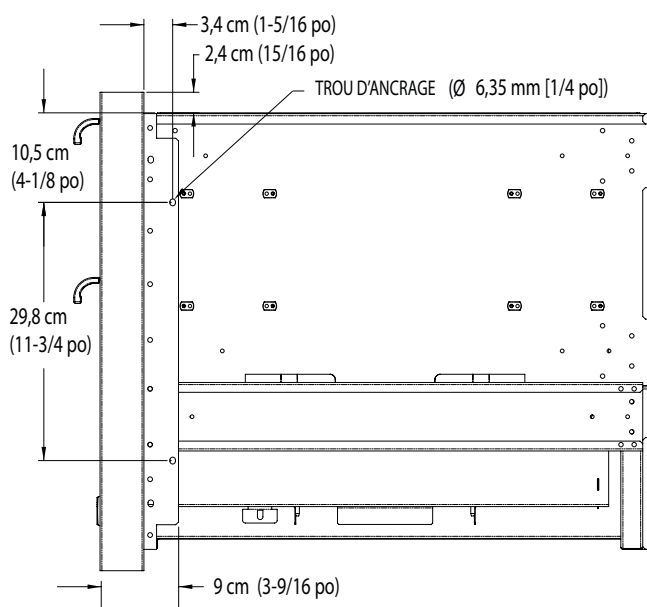


Fig. 9

INSTALLATION

REINSTALLATION DES TIROIRS

1. Réinstallez les tiroirs en étirant leurs guides tel qu'indiqué à la Fig. 10.
2. Tout en gardant le tiroir parallèle à l'armoire, alignez soigneusement puis enfoncez les extrémités des glissières. Glissez le tiroir de 2,5 cm (1 po) environ de sorte que les glissières puissent soutenir l'arrière du tiroir (Fig. 11).



Fig. 10

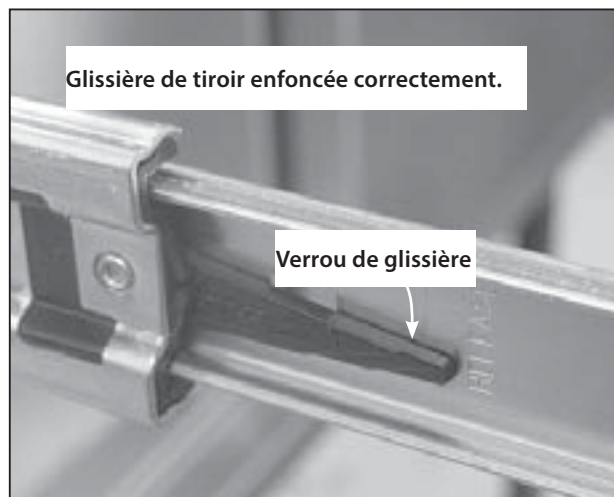


Fig. 11

3. Tout en retenant le tiroir par la poignée, tirez les glissières de la cavité du tiroir par dessus les glissières du tiroir jusqu'à ce qu'elles cliquent (Fig. 12).
4. Vous sentirez une faible résistance lorsque vous enfoncez les tiroirs. Continuez à enfoncez le tiroir complètement pour achever la procédure. Le tiroir devrait à présent glisser en douceur, dans un sens comme dans l'autre, sans effort (Fig. 13).



Fig. 12



Fig. 13

INSTALLATION

5. Votre réservoir de propane sera installé dans le renforcement situé dans le bas du compartiment droit (Fig. 14).

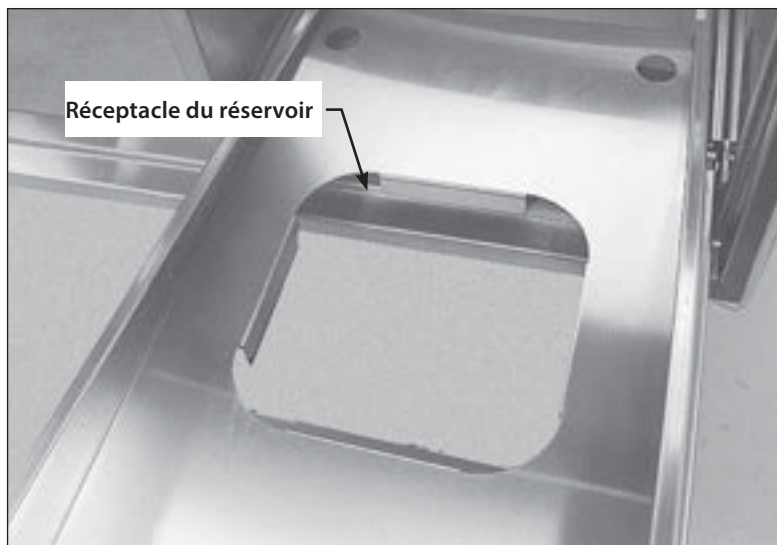


Fig. 14

6. Lors de la connexion à une bouteille de propane au grill, s'assurer que toutes les connexions sont serrées. Une fois les connexions de gaz effectuées, tester pour présence éventuelle de fuites de gaz.
7. Dans les modèles ainsi équipés, installez les deux (2) grilles fournies dans l'ouverture en les glissant sur les roulettes des parois latérales de la cavité centrale (Fig. 15).



Fig. 15

ENTRETIEN ET MAINTENANCE

Les tiroirs d'accès sont fabriqués en acier inoxydable résistant à la corrosion et non magnétique. Toutes les pièces des tiroirs d'accès peuvent être nettoyées à l'eau chaude savonneuse, rincées, séchées et lustrées pour être brillantes avec un chiffon épais et doux. Toujours essayer cette méthode en premier car c'est la procédure de nettoyage la plus douce. On trouve toute sorte de nettoyeurs pour acier inoxydable sur le marché. Toujours utiliser la procédure de nettoyage la plus douce en premier, en frottant dans le sens du grain pour éviter de rayer la surface. Le nettoyeur sera plus efficace quand il est utilisé dans le sens du grain (lignes de poli).

1. Certaines marques de nettoyeurs du même type sont plus durs que d'autres, lire leurs mode d'emploi. Un parfum ou un agent propulseur peut faire une différence dans le produit, lire les ingrédients. Essayer sur une petite surface pour commencer.
2. Pour réparer des égratignures visibles à l'œil nu, frotter très légèrement avec du papier de verre 100, dans le sens du grain.
3. Des taches de graisse peuvent s'accumuler et s'incruster sur les surfaces en acier inoxydable sous l'effet de la cuisson, ce qui peut ressembler à de la rouille. Pour les enlever, utiliser un tampon abrasif (Scotch Brite par exemple) conjointement avec un nettoyeur pour acier inoxydable. Toujours frotter dans le sens du grain.
3. Pour nettoyer ou récurer, utilisez uniquement des éponges propres, des tissus doux, des essuie-tout, des tampons à récurer savonneux en plastique sans métal. (Utilisez uniquement des tampons contenant encore du savon car un tampon sec peut égratigner la surface.)
4. Rincez soigneusement et séchez en essuyant pour éviter de laisser des marques d'eau.

REMARQUE : L'acier inoxydable a tendance à se corroder en présence de chlorures et de sulfures, spécialement dans les régions côtières. Pour prévenir les risques de corrosion, laver toutes les surfaces en acier inoxydable toutes les 3 à 4 semaines à l'aide d'eau douce et d'un nettoyeur pour acier inoxydable.

MARQUES DE NETTOYANTS

La référence à des noms de marques dans cette section est donnée à titre indicatif et ne saurait constituer un acte de promotion. L'omission d'une marque de nettoyeur particulière ne signifie pas qu'elle est adéquate ou non. De nombreux produits sont distribués dans certaines régions seulement et sont disponibles dans des marchés et grands magasins locaux.

MAINTENANCE

Après le nettoyage, utilisez un produit à polir pour acier inoxydable, tel que Stainless Steel Magic®, sur les surfaces des tiroirs et des poignées. Pour préserver le fonctionnement doux des tiroirs, vaporisez les pièces de roulement avec du lubrifiant au silicone une fois l'an. (Fig. 16).

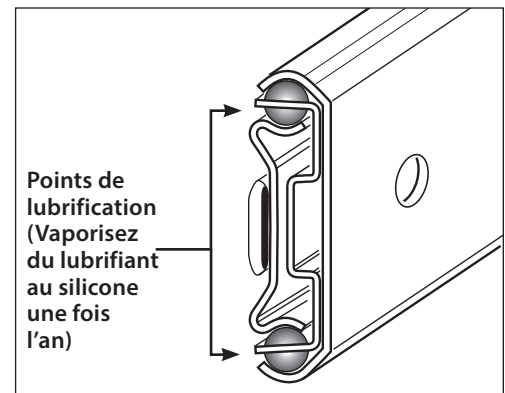


Fig. 16

ACCESSOIRES

ACCESSOIRES

1. Freezer Pack (option, Kit n° 70696A)(Fig. 17)
Ce froid d'assistance Ice Pack (BLUICE) s'insère parfaitement dans le porte-rouleau se trouve sur le 30" et 48" accès tiroirs et chariots de CAD
2. Porte-panier de déchets (option, Kit n° 70906)(Fig. 18)
3. Couvercle inférieur (option, Kit n° 70907)(Fig. 19)

REMARQUE: Pour commander les accessoires ci-dessous, veuillez contacter le centre de service à la clientèle Fisher & Paykel au numero 1-888-936-7872.



Fig. 17 Freezer Pack (option)

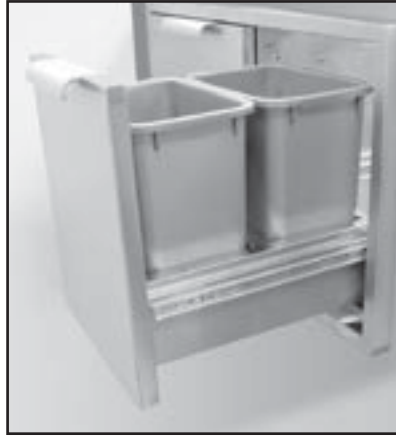


Fig. 18 Porte-panier de déchets (option)



Fig. 19 Couvercle inférieur (option)

SERVICE

Pour le service sous garantie, veuillez contacter votre distributeur ou contactez le centre DCS agréé le plus proche au (888) 936-7872 ou consulter notre site Web www.dcsappliances.com et choisir « Customer Care » pour trouver le Centre de service le plus proche. Avant d'appeler, veuillez avoir les informations suivantes à portée de main :

- Numéro de modèle (situé sur l'autocollant sur la contrefiche arrière du côté réservoir - voir Fig. 04)
- Numéro de série (situé sur l'autocollant sur la contrefiche arrière du côté réservoir - voir Fig. 04)
- Code (situé sur l'autocollant sur la contrefiche arrière du côté réservoir - voir Fig. 04)
- Date d'installation
- Brève description du problème

Votre satisfaction revêt la plus haute importance pour nous. Si un problème n'est pas résolu à votre entière satisfaction, veuillez communiquer avec nous :

Écrivez-nous à l'adresse suivante :
Fisher & Paykel Appliances, Inc.
Attention : DCS Customer Care
DCS Customer Care
695 Town Center Drive, Suite 180 Costa Mesa.
CA 92626-1902 USA

ou email : customer.care@fisherpaykel.com

REMARQUE

REMARQUE

www.dcsappliances.com



Copyright © Fisher & Paykel 2015. All rights reserved.

The product specifications in this booklet apply to the specific products and models described at the date of issue. Under our policy of continuous product improvement, these specifications may change at any time. You should therefore check with your Dealer to ensure this booklet correctly describes the product currently available.

Droits réservés © Fisher & Paykel 2015.

Les spécifications du produit contenues dans ce manuel s'appliquent aux modèles et produits spécifiques comme décrits à la date de publication. Dans le cadre de notre politique d'améliorations en permanence de nos produits, ces spécifications pourront être modifiées à tout moment. Nous vous recommandons de vérifier auprès de votre revendeur que ce manuel décrit le produit actuellement disponible.