

PROFESSIONAL GRILLS SERIES 7 OUTDOOR KITCHEN

---

# PLANNING GUIDE

---

BH1-48RS | BH1-48RI | BH1-36RI | BH1-48R | BH1-36R | BH1-30R | BH1-48 |  
BH1-36 | BH1-30 | BGA54-IJS | BGA48-IJS | BGA42-IJS | BGA36-IJS |  
BGA30-IJS | ASH6-48 | ASH6-36

---

**DCS**

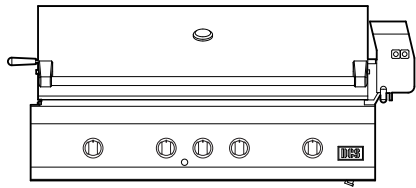
This comprehensive Planning Guide provides you with the framework and tools to achieve your desired design outcome with DCS appliances. In this guide, you will find a range of conceptual, detailed, and dimensional product information to bring your ideas to life and create spaces that truly reflect your vision.

**CONTENTS**

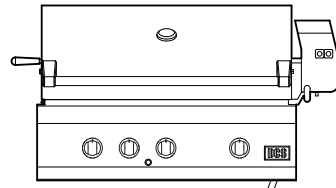
CONCEPT DESIGN	PAGE	DEVELOPED AND DETAILED DESIGN	PAGE	DEVELOPED AND DETAILED DESIGN	PAGE
<b>Design Choices</b>		<b>Data Sheets</b>		<b>Grill Cabinet Specifications</b>	
Insulation jackets	<b>5</b>	48" Grills with rotisserie	<b>13</b>	Non-combustible grill cabinet	<b>29</b>
Cooling	<b>6</b>	48" Grills	<b>14</b>	Combustible grill cabinet	<b>30</b>
Drawers	<b>7</b>	48" Grills with rotisserie and side burner	<b>15</b>		
Access doors	<b>8</b>	36" Grills with rotisserie	<b>16</b>	<b>Specialty Cooking Cabinet Specifications</b>	
Carts	<b>9</b>	36" Grills	<b>17</b>	BFGC-30BGD, BGC132-BI installation	<b>32</b>
Compact kitchen	<b>10</b>	30" Grills with rotisserie	<b>18</b>		
Medium kitchen	<b>11</b>	30" Grills	<b>19</b>	<b>Services</b>	
		Double side burner	<b>20</b>	Electrical	<b>34</b>
		Griddle/side burner	<b>21</b>		
		<b>Planning Considerations</b>			
		Grills - clearances	<b>23</b>		
		Specialty cooking - clearances	<b>24</b>		
		Wind screen protection	<b>25</b>		
		Ventilation requirements for LP cylinder enclosures	<b>26</b>		
		Notched counter-top and bull-nose edging details	<b>27</b>		

The models shown in this Planning Guide may not be available in all markets and are subject to change at any time. Product specifications may vary from those shown. This Planning Guide should not be used as installation guidance for any product. Further information is required to safely and correctly install the products featured here. Specific installation guidance will be available on our website [dcsappliances.com](https://dcsappliances.com)

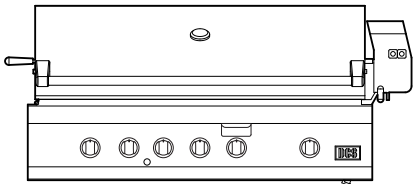
## DESIGN CHOICES



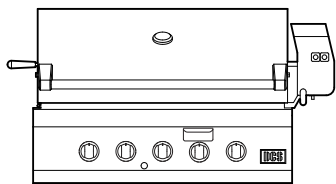
①



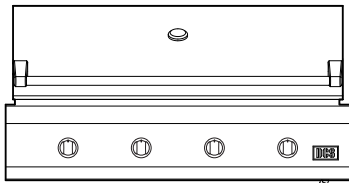
②



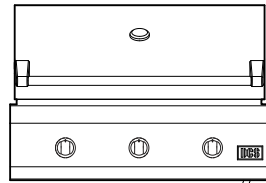
③



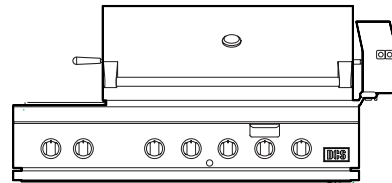
④



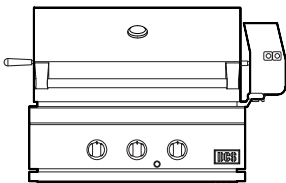
⑤



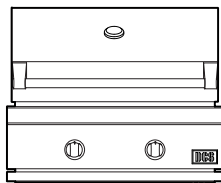
⑥



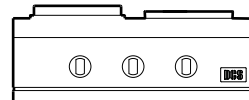
⑦



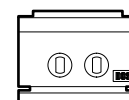
⑧



⑨



⑩



⑪

GRILLS

- ① **BH1-48RI Grill**  
48" Grilling surface, rotisserie, full surface searing, IR sear burner, warming rack. Gas options: LP or NG

---

- ② **BH1-36RI Grill**  
36" Grilling surface, rotisserie, full surface searing, IR sear burner warming rack. Gas options: LP or NG

---

- ③ **BH1-48R Grill**  
48" Grilling surface, rotisserie, smoker tray, full surface searing, warming rack. Gas options: LP or NG

---

- ④ **BH1-36R Grill**  
36" Grilling surface, rotisserie, smoker tray, full surface searing, warming rack. Gas options: LP or NG

---

- ⑤ **BH1-48 Grill**  
48" Grilling surface, full surface searing, warming rack. Gas options: LP or NG

---

- ⑥ **BH1-36 Grill**  
36" Grilling surface, full surface searing, warming rack. Gas options: LP or NG

---

- ⑦ **BH1-48RS Grill with side-burner**  
48" Grilling surface, rotisserie, smoker tray, full surface searing, warming rack, integrated side-burners. Gas options: LP or NG

---

- ⑧ **BH1-30R Grill**  
30" Grilling surface, rotisserie, full surface searing, warming rack. Gas options: LP or NG

---

- ⑨ **BH1-30 Grill**  
30" Grilling surface, full surface searing, warming rack. Gas options: LP or NG

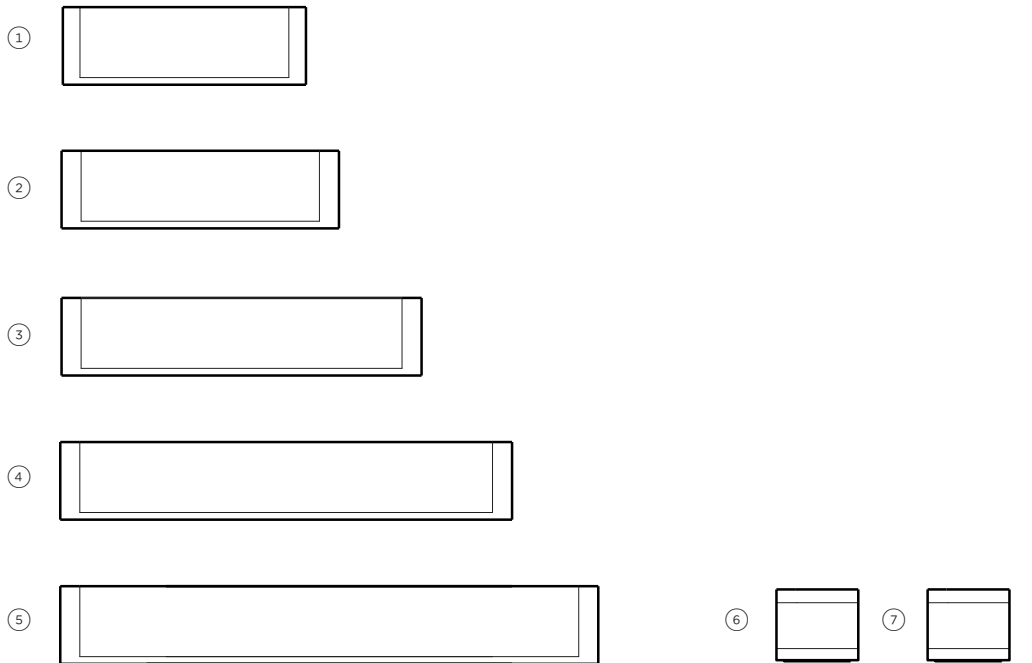
---

- ⑩ **BFGC-30BGD Griddle/Side Burner**

---

- ⑪ **BGC132-BI Double Side Burner**

The models shown in this Planning Guide may not be available in all markets and are subject to change at any time. Product specifications may vary from those shown. This Planning Guide should not be used as installation guidance for any product. Further information is required to safely and correctly install the products featured here. Specific installation guidance will be available on our website [dcsappliances.com](http://dcsappliances.com)



**INSULATION JACKETS**

- ① **BGB30-IJS Insulation Jacket**  
30" Jacket for combustible cabinet installation with BH1-30R grill or BFGC-30BGD Griddle/Side Burner

---

- ② **BGA36-IJS Insulation Jacket**  
36" Jacket for combustible cabinet installation

---

- ③ **BGA42-IJS Insulation Jacket**  
42" Jacket for combustible cabinet installation (ASH6-36 6" storage in combination with S7 36" grill)

---

- ④ **BGA48-IJS Insulation Jacket**  
48" Jacket for combustible cabinet installation

---

- ⑤ **BGA54-IJS Insulation Jacket**  
54" Jacket for combustible cabinet installation (ASH6-48 6" storage in combination with S7 48" grill)

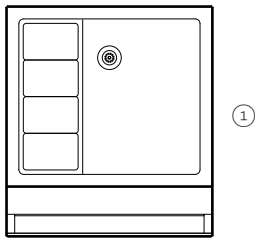
---

- ⑥ **ASH6-48 Side Storage**  
6" Storage unit for side installation with S7 48" grills

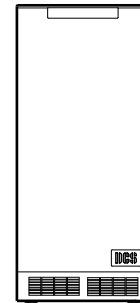
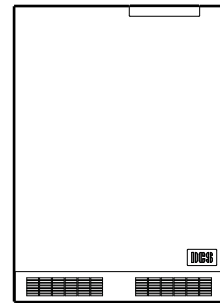
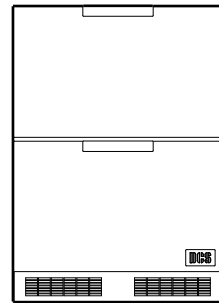
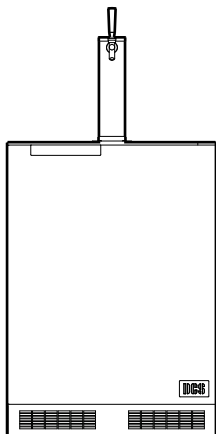
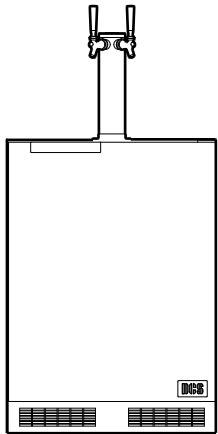
---

- ⑦ **ASH6-36 Side Storage**  
6" Storage unit for side installation with S7 36" grills

The models shown in this Planning Guide may not be available in all markets and are subject to change at any time. Product specifications may vary from those shown. This Planning Guide should not be used as installation guidance for any product. Further information is required to safely and correctly install the products featured here. Specific installation guidance will be available on our website [dcsappliances.com](https://dcsappliances.com)



2



**CHILLERS IN COUNTER**

- ① **BC25 Chiller Sink**  
25" Bottle and ice sink with four condiment storage containers.

---

- ② **BC-BTTLEAC-25 Bottle Holder Sink Accessory**  
25" 1 litre bottle holder with towel rack.

---

- ③ **RF24BTR2, RF24BTL2 Outdoor Beer Dispenser**  
24" Dual tap, CO<sup>2</sup> tank and regulator, refrigerated keg storage, door open alarm, digital temperature control with in counter drainage system. Left or right door opening.

---

- ④ **RF24BTR2, RF24BTL2 Outdoor Beer Dispenser**  
24" Single tap, CO<sup>2</sup> tank and regulator, refrigerated keg storage, door open alarm, digital temperature control with in counter drainage system. Left or right door opening.

**CHILLERS UNDER COUNTER**

- ⑤ **RF24DE4 Outdoor refrigerator drawers**  
24" Refrigerated drawers, 5 cu foot capacity, rapid cool down, and open door alarm.

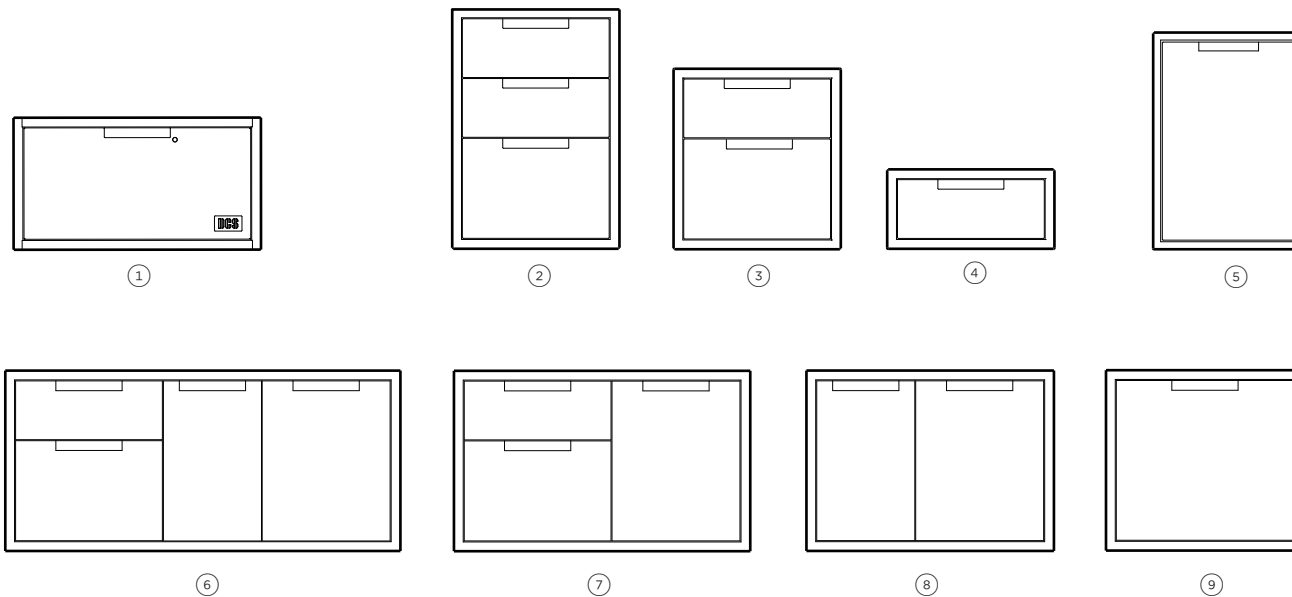
---

- ⑥ **RF24RE4, RF24LE4 Outdoor refrigerator**  
24" Single door refrigerator, 5.3 cu foot capacity and open door alarm. Left or right door opening.

---

- ⑦ **RF15IL3, RF15R3 Outdoor Ice Machine**  
15" Ice Machine, 39lb per day, sound buffered, eco and delay mode.

The models shown in this Planning Guide may not be available in all markets and are subject to change at any time. Product specifications may vary from those shown. This Planning Guide should not be used as installation guidance for any product. Further information is required to safely and correctly install the products featured here. Specific installation guidance will be available on our website [dcsappliances.com](http://dcsappliances.com)



**DRAWERS**

- ① **WD1-30-SSOD Warming drawer**  
30" Outdoor warming drawer, removable stainless steel shelf, space for 6 standard dinner plates.

---

- ② **TDT1-20 Tower drawer triple**  
20 5/16" Wide outdoor weather resistant triple drawers.

---

- ③ **TDD1-20 Tower drawer double**  
20 5/16" Wide outdoor weather resistant double drawers.

---

- ④ **TDS1-20 Tower drawer single**  
20 5/16" Wide outdoor weather resistant single drawer.

---

- ⑤ **TB1-20 Trash bin**  
20 5/16" Wide waste solution with two full sized removable bins.

---

- ⑥ **ADR2-48 Access drawers**  
48" Wide access four drawer or convert to trash drawer and flexible storage.

---

- ⑦ **ADR2-36 Access drawers**  
36" Wide access three drawer or convert to trash drawer and flexible storage.

---

- ⑧ **ADR2-30 Access drawers**  
30" Wide access two drawer or convert to trash drawer and flexible storage.

---

- ⑨ **ADR2-24 Access drawers**  
24" Wide access single drawer or convert to trash drawer.

The models shown in this Planning Guide may not be available in all markets and are subject to change at any time. Product specifications may vary from those shown. This Planning Guide should not be used as installation guidance for any product. Further information is required to safely and correctly install the products featured here. Specific installation guidance will be available on our website [dcsappliances.com](http://dcsappliances.com)

ACCESS DOORS

- ① **DP1-42 Dry pantry**  
42" Wide dry pantry, adjustable storage, removable storage bins and wire shelves.

---

- ② **ADN1-20X48 Access doors**  
48" Wide access doors, for built in cabinet storage.

---

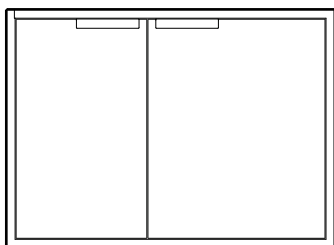
- ③ **ADN1-20X36 Access doors**  
36" Wide access doors, for built in cabinet storage.

---

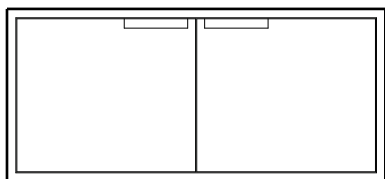
- ④ **ADN1-20X30 Access doors**  
30" Wide access doors, for built in cabinet storage.

---

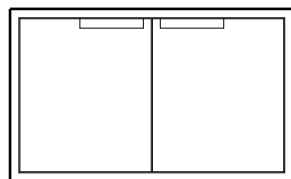
- ⑤ **ADN1-20X24 Access doors**  
24" Wide access doors, for built in cabinet storage.



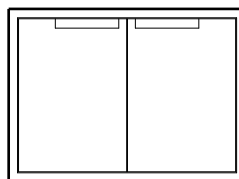
①



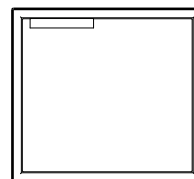
②



③



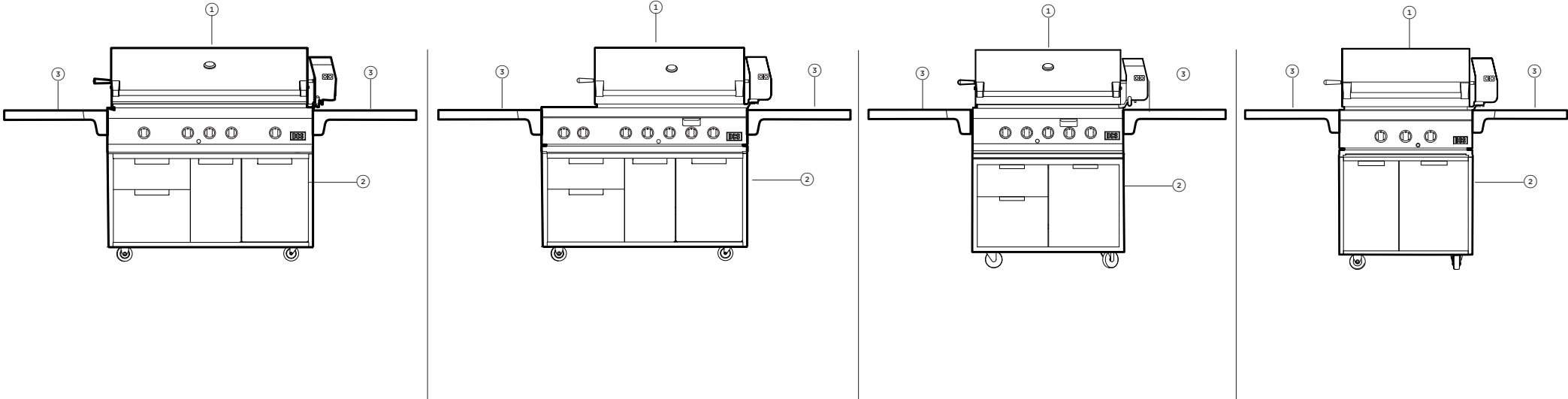
④



⑤

The models shown in this Planning Guide may not be available in all markets and are subject to change at any time. Product specifications may vary from those shown. This Planning Guide should not be used as installation guidance for any product. Further information is required to safely and correctly install the products featured here. Specific installation guidance will be available on our website [dcsappliances.com](https://dcsappliances.com)





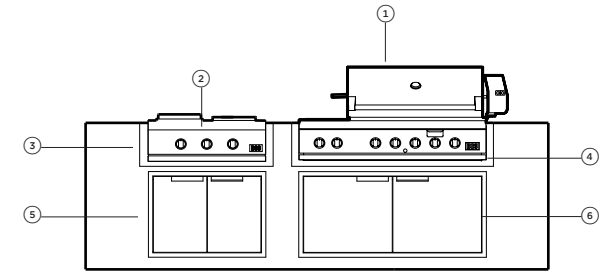
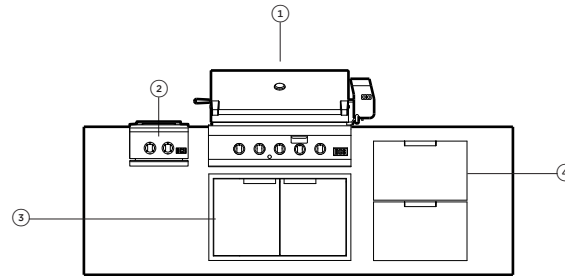
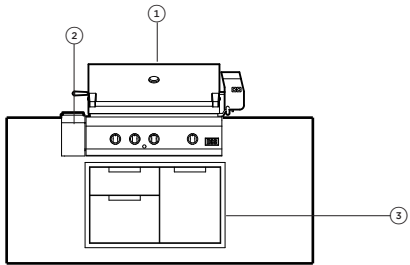
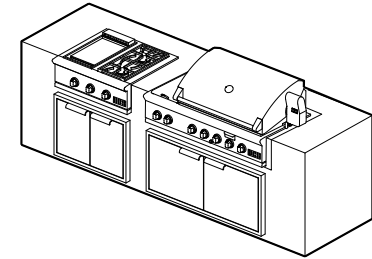
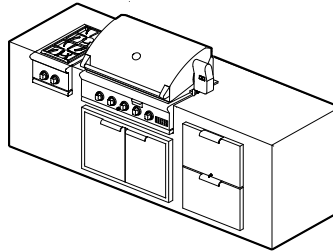
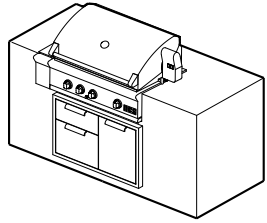
**MODELS**

<p>① <b>48" Grill with Rotisserie and Sear Burner</b> Models: BH1-48RI-L (LPG), BH1-48RI-N (NG)</p>	<p>① <b>48" Grill with Side Burner</b> Models: BH1-48RS-L (LPG), BH1-48RS-N (NG)</p>	<p>① <b>36" Grill with Rotisserie and Smoker Tray</b> Models: BH1-36R-L (LPG), BH1-36R-N (NG)</p>	<p>① <b>30" All Grill</b> Models: BH1-30R-L (LPG), BH1-30R-N (NG)</p>
<p>② <b>48" Cad Grill Cart</b> CAD1-48</p>	<p>② <b>48" Cad Grill Cart</b> CAD1-48</p>	<p>② <b>36" Cad Grill Cart</b> CAD1-36</p>	<p>② <b>30" Cad Grill Cart</b> CAD1-30</p>
<p>③ <b>Shelf Accessories - Optional</b> Side Shelf - CAD1-SK Bamboo Cutting Board AP-CBB</p>	<p>③ <b>Shelf Accessories - Optional</b> Side Shelf - CAD1-SK Bamboo Cutting Board AP-CBB</p>	<p>③ <b>Shelf Accessories - Optional</b> Side Shelf - CAD1-SK Bamboo Cutting Board AP-CBB</p>	<p>③ <b>Shelf Accessories - Optional</b> Side Shelf - CAD1-SK Back Bar - CAD30-BB Bamboo Cutting Board AP-CBB</p>

Note: Any grill or 30" specialty cooking product with corresponding width to cart dimensions can be installed. Contact your DCS supplier for guidance.

The models shown in this Planning Guide may not be available in all markets and are subject to change at any time. Product specifications may vary from those shown. This Planning Guide should not be used as installation guidance for any product. Further information is required to safely and correctly install the products featured here. Specific installation guidance will be available on our website [dcsappliances.com](http://dcsappliances.com)

# DESIGN CHOICES | COMPACT CONFIGURATIONS

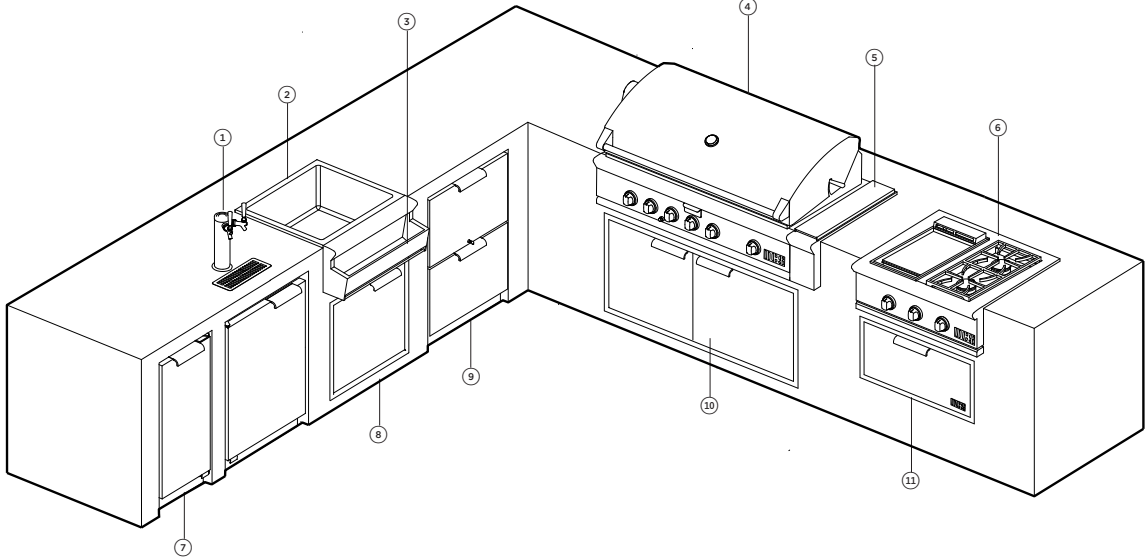


## MODELS

<p>① <b>36" Grill with Rotisserie and Sear Burner</b> Models: BHI-36RI-L (LPG), BHI-36RI-N (NG)</p>	<p>① <b>36" Grill with Rotisserie and Smoker Tray</b> Models: BHI-36R-L (LPG), BHI-36R-N (NG)</p>	<p>① <b>48" Grill with Rotisserie, Side burner and Smoker Tray</b> Models: BHI-48RS-L (LPG), BHI-48RS-N (NG)</p>
<p>② <b>6" Side Storage Unit</b> ASH6-36</p>	<p>② <b>14" Double Side Burner</b> Models: BGC132-BI-L (LPG), BGC132-BI (NG)</p>	<p>② <b>30" Griddle/Side Burner</b> Models: BFGC-30BGD-L (LPG), BFGC-30BGD-N (NG)</p>
<p>③ <b>36" Access Drawers Built-in</b> ADR2-36</p>	<p>③ <b>36" Access Doors Built-in</b> ADNI-20X36</p>	<p>③ <b>30" Insulation Jacket</b> BGB30-IJS</p>
	<p>④ <b>24" Outdoor Refrigerator Drawers</b> RF24DE4</p>	<p>④ <b>48" Insulation Jacket</b> BGA48-IJS</p>
		<p>⑤ <b>30" Access Drawers Built-in</b> ADNI-20X30</p>
		<p>⑥ <b>48" Access Doors Built-in</b> ADNI-20X48</p>

Note: Multiple grill and storage configurations are available.

The models shown in this Planning Guide may not be available in all markets and are subject to change at any time. Product specifications may vary from those shown. This Planning Guide should not be used as installation guidance for any product. Further information is required to safely and correctly install the products featured here. Specific installation guidance will be available on our website [dcsappliances.com](https://dcsappliances.com)



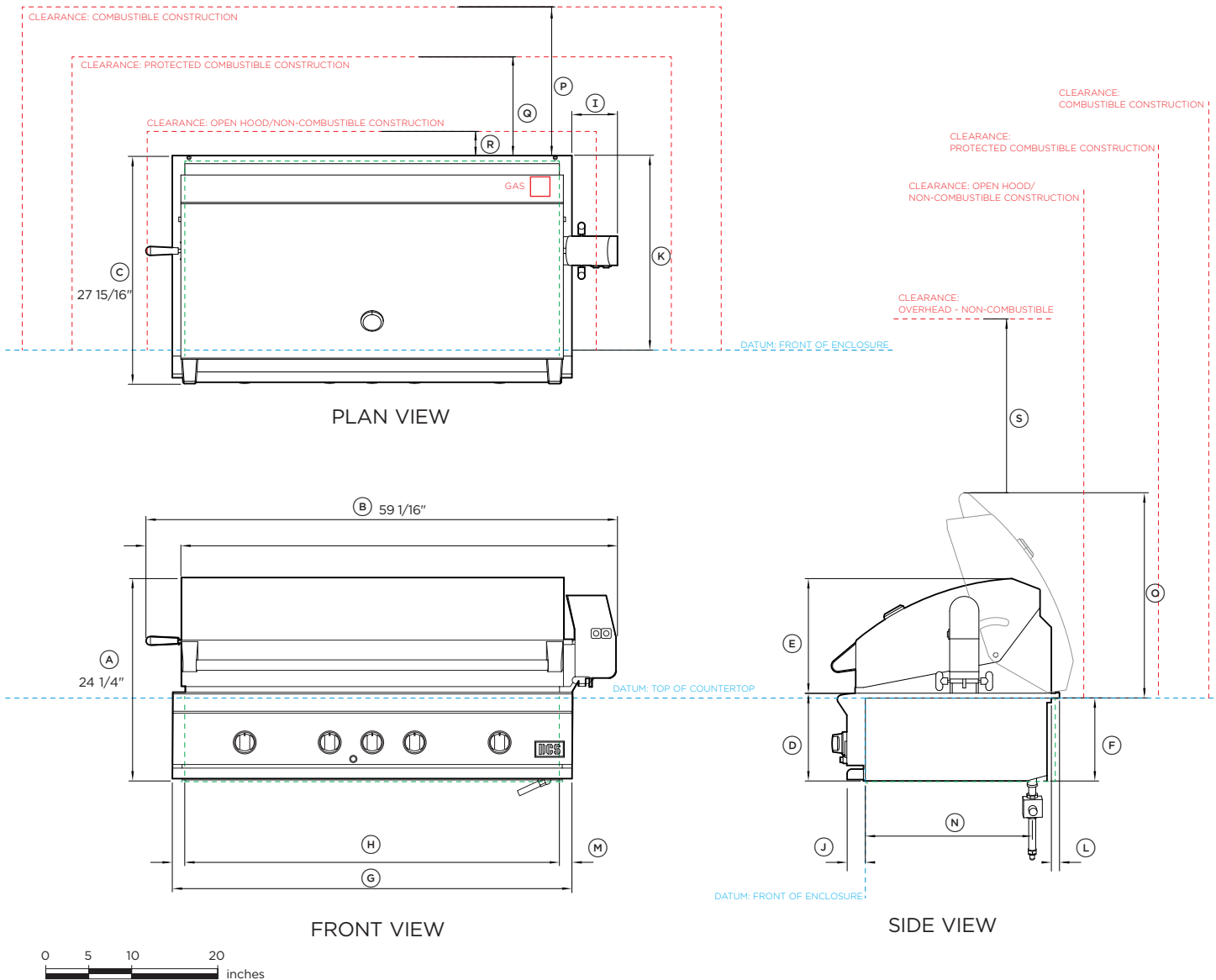
**MODELS**

① <b>24" Outdoor Dual Tap Beer Dispenser</b> RF24BTR2	⑤ <b>6" Side Storage Unit</b> ASH6-48	⑨ <b>24" Outdoor Refrigerator Drawers</b> RF24DE4
② <b>25" Beverage Chiller/Sink</b> BC25	⑥ <b>30" Griddle/Side Burner</b> Models: BFGC-30BGD-L (LPG), BFGC-30BGD-N (NG)	⑩ <b>48" Access Doors</b> ADN1-20X48
③ <b>Bottle Holder Accessory</b> BC-BTTLEAC-25	⑦ <b>15" Outdoor Ice Machine</b> Models: RF15IL3 (left hand opening), RF15IR3 (right hand opening)	⑪ <b>30" Outdoor Warming Drawer</b> WD1-30-SSOD
④ <b>48" Grill with Rotisserie, Sear Burner and Smoker Tray</b> Models: BH1-48RI-L (LPG), BH1-48RI-N (NG)	⑧ <b>24" Access Door</b> ADN1-20X24	

Note: Multiple grill, cooler and storage configurations are available.

The models shown in this Planning Guide may not be available in all markets and are subject to change at any time. Product specifications may vary from those shown. This Planning Guide should not be used as installation guidance for any product. Further information is required to safely and correctly install the products featured here. Specific installation guidance will be available on our website [dcsappliances.com](http://dcsappliances.com)

## DATA SHEETS



**Model no:**

48" Grills - BH1-48RI, BH1-48R

Product Dimensions	inch	mm
Ⓐ Overall height	24 1/4	616
Ⓑ Overall width including rotisserie motor	59 1/16	1436
Ⓒ Overall depth	27 5/16	694
Ⓓ Height of chassis including flange	10 1/2	267
Ⓔ Height of chassis from top of hood to flange	13 3/4	349
Ⓕ Height of chassis below flange	9 15/16	253
Ⓖ Width of control panel	47 15/16	1217
Ⓗ Width of chassis inside enclosure	44 7/8	1140
Ⓙ Rotisserie motor depth	5 1/2	139
Ⓚ Control panel depth	22 3/16	55
Ⓛ Front of chassis (proud) to rear flange	23 5/16	592
Ⓜ Depth of rear flange	1	25
Ⓝ Width of side flanges	1 9/16	39
Ⓞ Front of chassis to gas outlet	20 1/16	509
Ⓟ Height of open hood to top of counter-top	23 3/4	618

Minimum Clearances	inch	mm
Ⓟ Clearance to combustible construction	18	457
Ⓠ Clearance to protected combustible construction	12	305
Ⓡ Clearance to non-combustible construction	3	76
Ⓢ Minimum clearance top of open hood to non-combustible surface	24	610

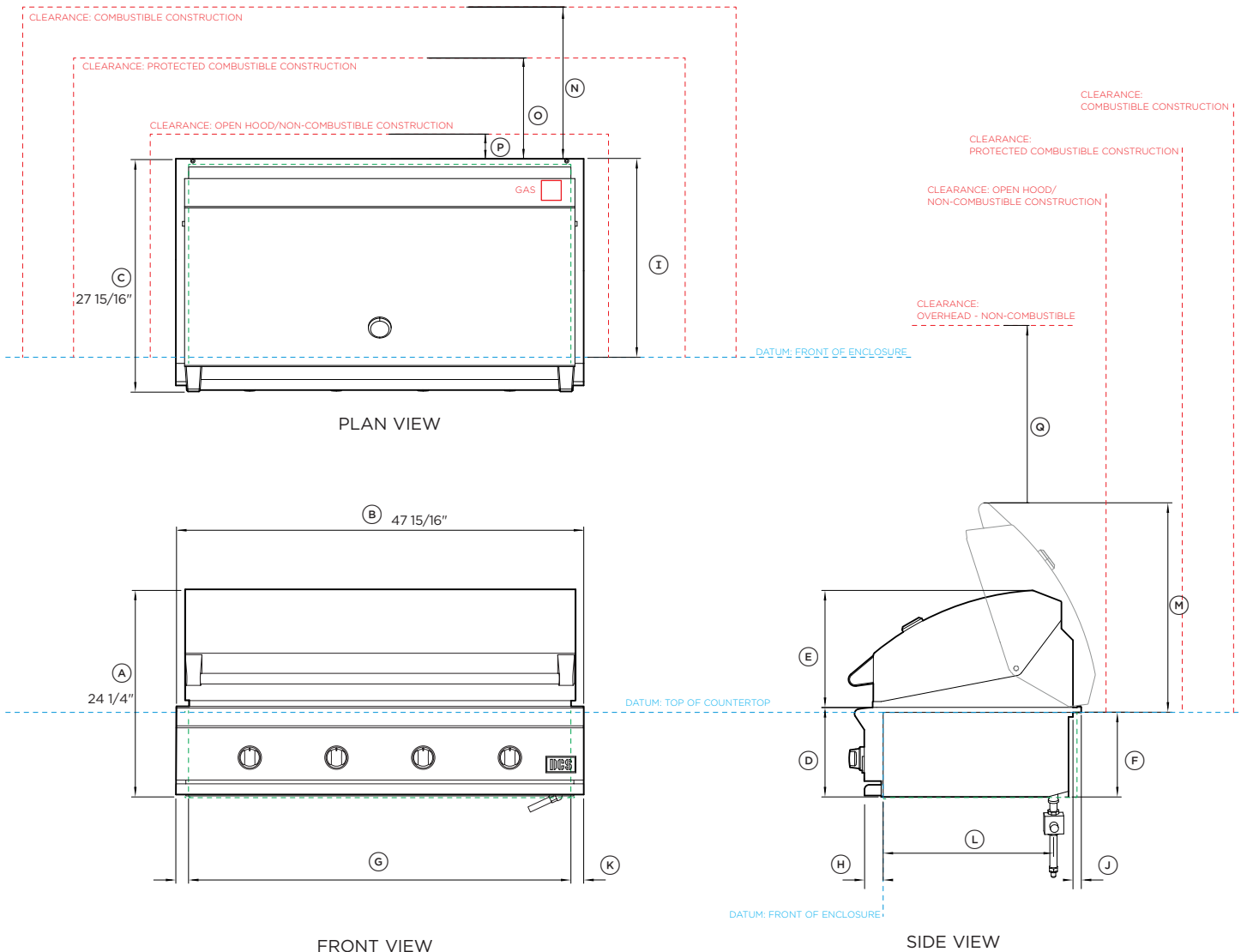
Note: Do not install under unprotected combustible or protected combustible construction without using a fire safe ventilation system As per UL 507 and CSA C22.2 No 60335-2-31.

If the grill is to be placed into a combustible enclosure, an approved insulated jacket is necessary. Use only the DCS insulated jacket which has specifically been designed and tested for this purpose.

48" Insulated jacket model number: BGA48-IJS

INDICATES CABINETRY / PRODUCT DATUM -----  
 INDICATES CABINETRY CLEARANCES - - - - -

IMPORTANT NOTE: Throughout this guide, dimensions may vary by ±2mm (1/16"). Please read the Installation Guide for detailed information on installing the product. For full installation instructions visit [dcsappliances.com](http://dcsappliances.com)



**Model no:**  
48" Grills - BH1-48

Product Dimensions	inch	mm
Ⓐ Overall height	24 1/4	616
Ⓑ Overall width	47 15/16	1217
Ⓒ Overall depth	27 5/16	694
Ⓓ Height of chassis including flange	10 1/2	267
Ⓔ Height of chassis from top of hood to flange	13 3/4	349
Ⓕ Height of chassis below flange	9 15/16	253
Ⓖ Width of chassis inside enclosure	44 7/8	1140
Ⓗ Control panel depth	22 3/16	55
Ⓙ Front of chassis (proud) to rear flange	23 5/16	592
Ⓚ Depth of rear flange	1	25
Ⓛ Width of side flanges	1 9/16	39
Ⓛ Front of chassis to gas outlet	20 1/16	509
Ⓜ Height of open hood to top of counter-top	23 3/4	618

Minimum Clearances	inch	mm
Ⓝ Clearance to combustible construction	18	457
Ⓞ Clearance to protected combustible construction	12	305
Ⓟ Clearance to non-combustible construction	3	76
Ⓠ Minimum clearance top of open hood to non-combustible surface	24	610

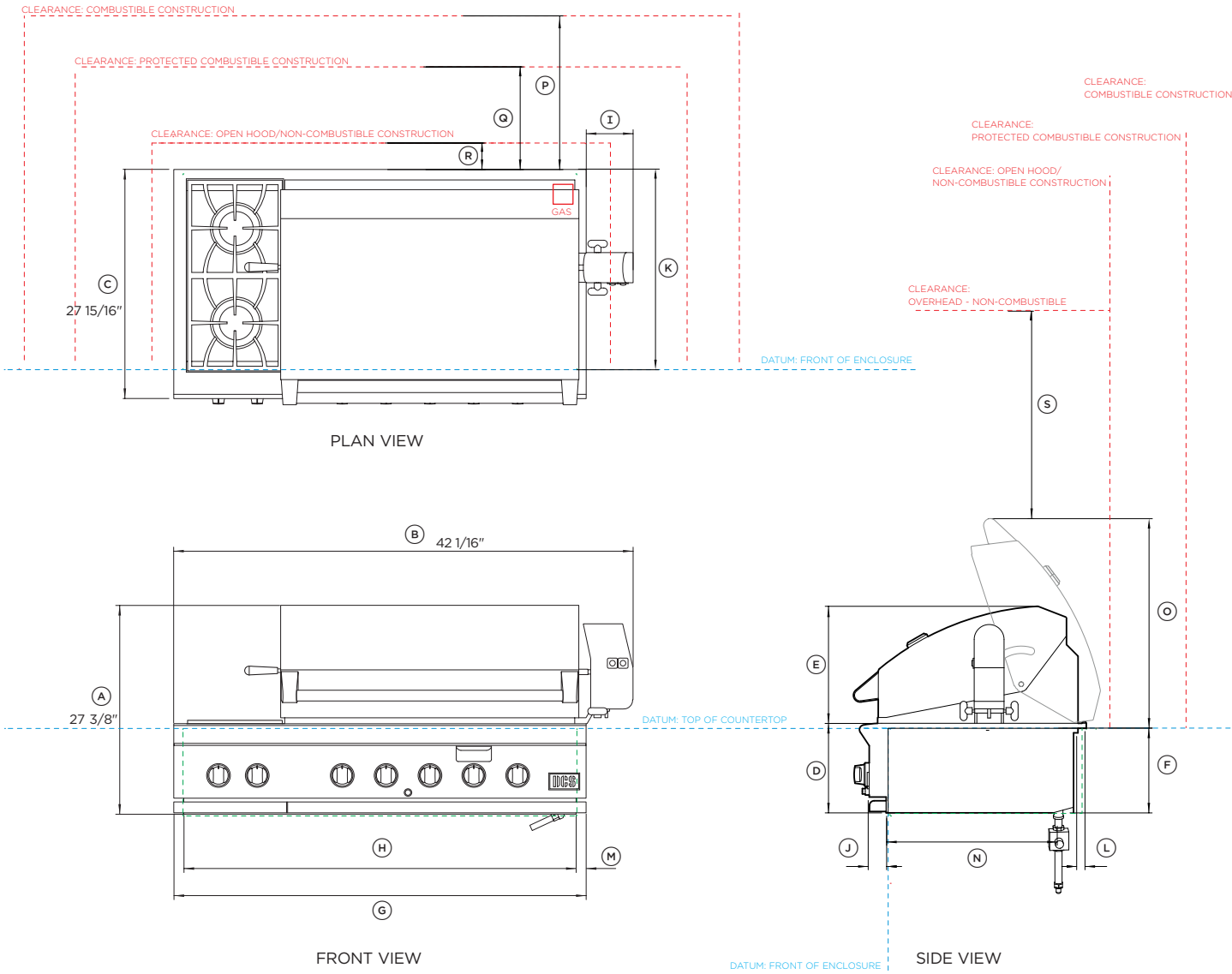
Note: Do not install under unprotected combustible or protected combustible construction without using a fire safe ventilation system As per UL 507 and CSA C22.2 No 60335-2-31.

If the grill is to be placed into a combustible enclosure, an approved insulated jacket is necessary. Use only the DCS insulated jacket which has specifically been designed and tested for this purpose.

48" Insulated jacket model number: BGA48-IJS

INDICATES CABINETRY / PRODUCT DATUM -----  
INDICATES CABINETRY CLEARANCES - - - - -

IMPORTANT NOTE: Throughout this guide, dimensions may vary by ±2mm (1/16"). Please read the Installation Guide for detailed information on installing the product. For full installation instructions visit [dcsappliances.com](http://dcsappliances.com)



**Model no:**

48" Grills with rotisserie and side burner - BH1-48RS

Product Dimensions	inch	mm
Ⓐ Overall height	24 1/4	616
Ⓑ Overall width including rotisserie motor	59 1/16	1436
Ⓒ Overall depth	27 5/16	694
Ⓓ Height of chassis including flange	10 1/2	267
Ⓔ Height of chassis from top of hood to flange	13 3/4	349
Ⓕ Height of chassis below flange	9 15/16	253
Ⓖ Width of control panel	47 15/16	1217
Ⓗ Width of chassis inside enclosure	44 7/8	1140
Ⓙ Rotisserie motor depth	5 1/2	139
Ⓚ Control panel depth	22 3/16	55
Ⓛ Front of chassis (proud) to rear flange	23 5/16	592
Ⓛ Depth of rear flange	1	25
Ⓜ Width of side flanges	1 9/16	39
Ⓝ Front of chassis to gas outlet	20 1/16	509
Ⓞ Height of open hood to top of counter-top	23 3/4	618

Minimum Clearances	inch	mm
Ⓟ Clearance to combustible construction	18	457
Ⓠ Clearance to protected combustible construction	12	305
Ⓡ Clearance to non-combustible construction	3	76
Ⓢ Minimum clearance top of open hood to non-combustible surface	24	610

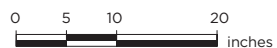
Note: Do not install under unprotected combustible or protected combustible construction without using a fire safe ventilation system As per UL 507 and CSA C22.2 No 60335-2-31.

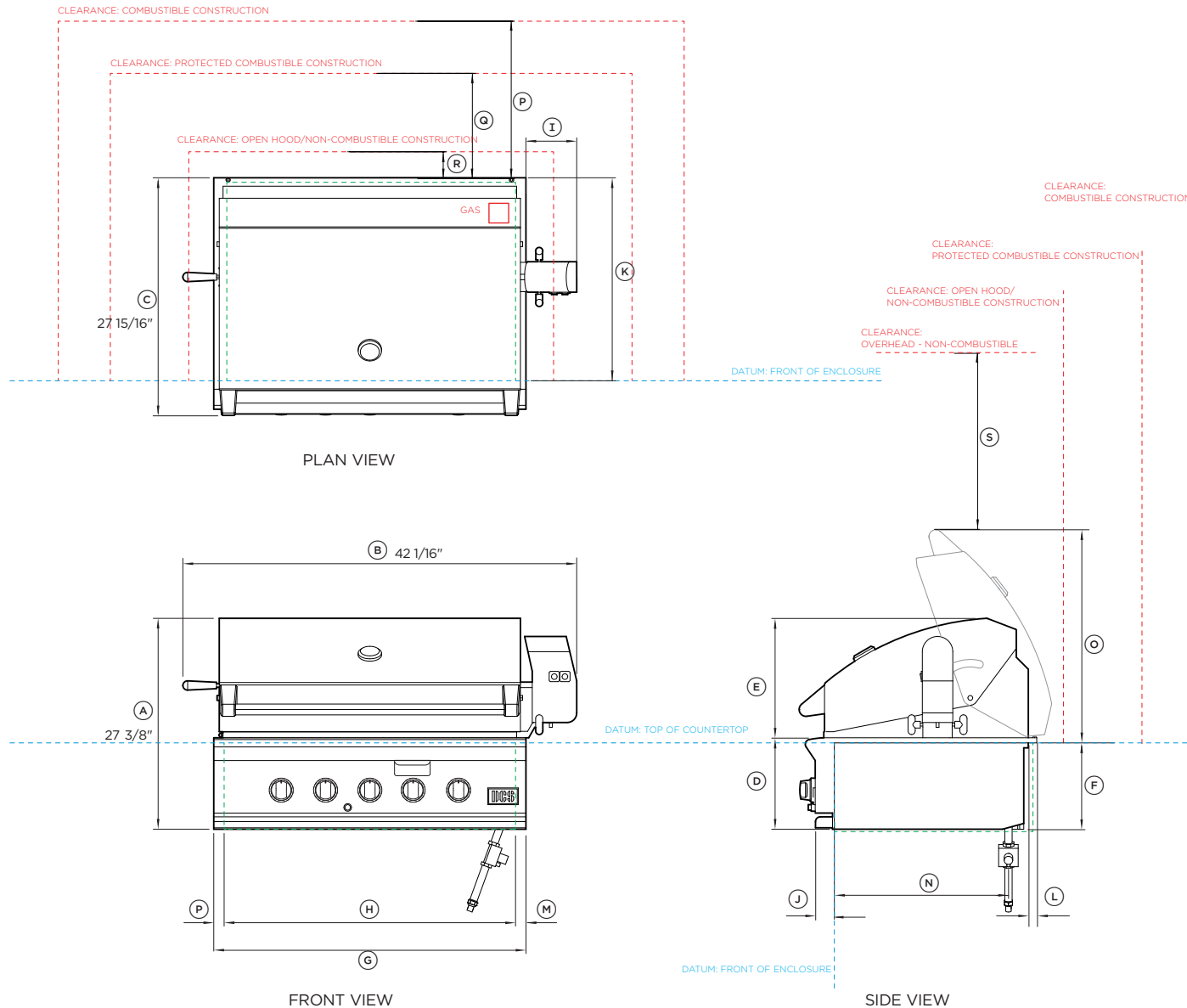
If the grill is to be placed into a combustible enclosure, an approved insulated jacket is necessary. Use only the DCS insulated jacket which has specifically been designed and tested for this purpose.

48" Insulated jacket model number: BGA48-IJS

INDICATES CABINETRY / PRODUCT DATUM -----  
 INDICATES CABINETRY CLEARANCES - - - - -

IMPORTANT NOTE: Throughout this guide, dimensions may vary by ±2mm (1/16"). Please read the Installation Guide for detailed information on installing the product. For full installation instructions visit [dcsappliances.com](http://dcsappliances.com)





**Model no:**

36" Grills with rotisserie - BH1-36RI, BH1-36R

Product Dimensions	inch	mm
Ⓐ Overall height (excluding lid)	24 1/4	616
Ⓑ Overall width including rotisserie motor	45 5/16	1151
Ⓒ Overall depth	27 5/16	694
Ⓓ Height of chassis including flange	10 1/2	267
Ⓔ Height of chassis from top of hood to flange	13 3/4	349
Ⓕ Height of chassis below flange	9 15/16	253
Ⓖ Width of control panel	35 15/16	912
Ⓗ Width of Chassis inside enclosure	33 11/16	855
Ⓙ Rotisserie motor depth	5 13/16	148
Ⓚ Control panel depth	2 3/16	55
Ⓛ Front of cabinet (proud) to rear flange	23 5/16	592
Ⓜ Depth of rear flange	1	25
Ⓝ Width of side flanges	1 3/16	29.5
Ⓟ Front of chassis to gas outlet	20 1/16	509
Ⓢ Height of open hood to top of counter-top	24 5/16	618

Minimum Clearances	inch	mm
Ⓟ Clearance to combustible construction	18	457
Ⓠ Clearance to protected combustible construction	12	305
Ⓡ Clearance to non-combustible construction	3	76
Ⓢ Minimum clearance top of open hood to non-combustible surface	24	610

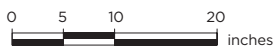
Note: Do not install under unprotected combustible or protected combustible construction without using a fire safe ventilation system As per UL 507 and CSA C22.2 No 60335-2-31.

If the grill is to be placed into a combustible enclosure, an approved insulated jacket is necessary. Use only the DCS insulated jacket which has specifically been designed and tested for this purpose.

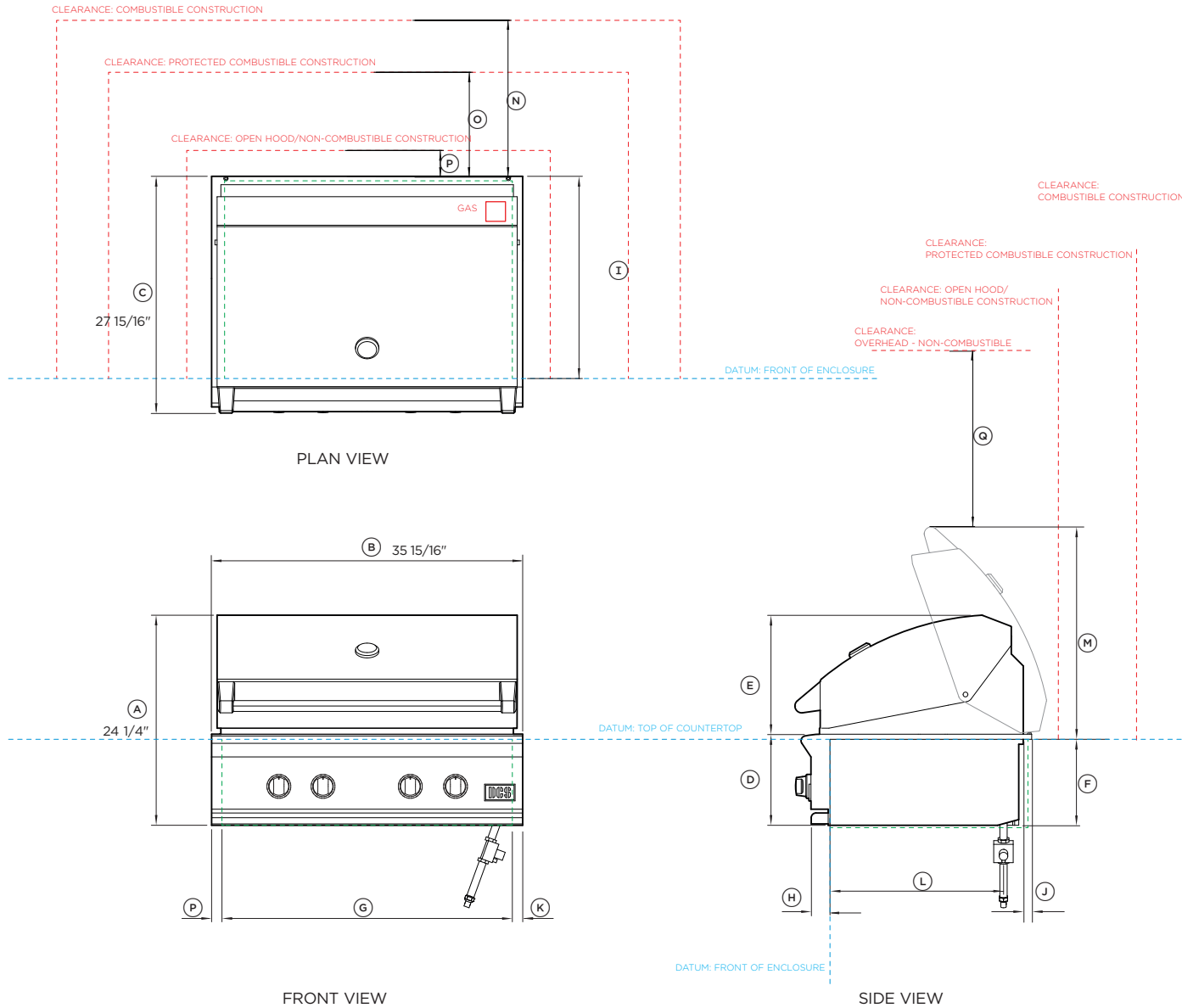
36" Insulated jacket model number: BGA36-IJS

INDICATES CABINETRY / PRODUCT DATUM (Blue dashed line)  
 INDICATES CABINETRY CLEARANCES (Red dashed line)

**IMPORTANT NOTE:** Throughout this guide, dimensions may vary by ±2mm (1/16"). Please read the Installation Guide for detailed information on installing the product. For full installation instructions visit [dcsappliances.com](http://dcsappliances.com)







**Model no:**  
36" Grills - BH1-36

Product Dimensions	inch	mm
Ⓐ Overall height (excluding lid)	24 1/4	616
Ⓑ Overall width	35 15/16	913
Ⓒ Overall depth	27 5/16	694
Ⓓ Height of chassis including flange	10 1/2	267
Ⓔ Height of chassis from top of hood to flange	13 3/4	349
Ⓕ Height of chassis below flange	9 15/16	253
Ⓖ Width of Chassis inside enclosure	33 11/16	855
Ⓗ Control panel depth	2 3/16	55
Ⓘ Front of cabinet (proud) to rear flange	23 5/16	592
Ⓝ Depth of rear flange	1	25
Ⓚ Width of side flanges	1 3/16	29.5
Ⓛ Front of chassis to gas outlet	20 1/16	509
Ⓜ Height of open hood to top of counter-top	24 5/16	618

Minimum Clearances	inch	mm
Ⓝ Clearance to combustible construction	18	457
Ⓞ Clearance to protected combustible construction	12	305
Ⓟ Clearance to non-combustible construction	3	76
Ⓠ Minimum clearance top of open hood to non-combustible surface	24	610

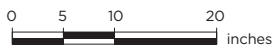
Note: Do not install under unprotected combustible or protected combustible construction without using a fire safe ventilation system As per UL 507 and CSA C22.2 No 60335-2-31.

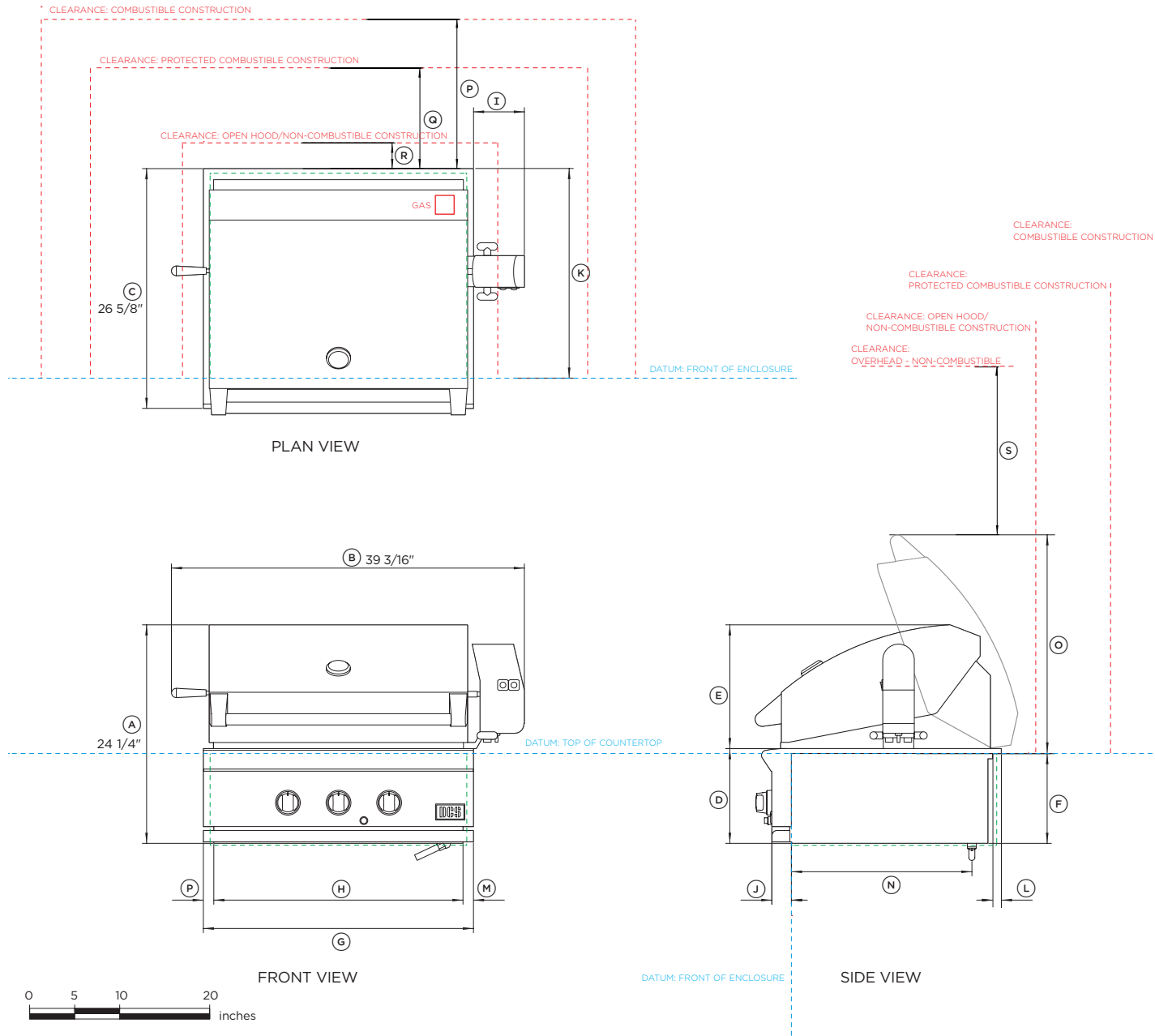
If the grill is to be placed into a combustible enclosure, an approved insulated jacket is necessary. Use only the DCS insulated jacket which has specifically been designed and tested for this purpose.

36" Insulated jacket model number: BGA36-IJS

INDICATES CABINETRY / PRODUCT DATUM -----  
INDICATES CABINETRY CLEARANCES - - - - -

**IMPORTANT NOTE:** Throughout this guide, dimensions may vary by ±2mm (1/16"). Please read the Installation Guide for detailed information on installing the product. For full installation instructions visit [dcsappliances.com](http://dcsappliances.com)





**Model no:**  
30" Grills with rotisserie - BH1-30R

Product Dimensions	inch	mm
A Overall height (excluding lid)	24 1/4	616
B Overall width including rotisserie motor	39 3/16	996
C Overall depth	26 5/8	676
D Height of chassis including flange	10 1/2	267
E Height of chassis from top of hood to flange	13 3/4	349
F Height of chassis below flange	9 15/16	253
G Width of control panel	30	762
H Width of Chassis inside enclosure	27 11/16	703
I Rotisserie motor depth	5 5/16	144
J Control panel depth	2 3/16	55
K Front of cabinet (proud) to rear flange	23 5/16	592
L Depth of rear flange	1	25
M Width of side flanges	1 3/16	29.5
N Front of chassis to gas outlet	20 1/16	509
O Height of open hood to top of counter-top	24 5/16	618

Minimum Clearances	inch	mm
P Clearance to combustible construction	18	457
Q Clearance to protected combustible construction	12	305
R Clearance to non-combustible construction	3	76
S Minimum clearance top of open hood to non-combustible surface	24	610

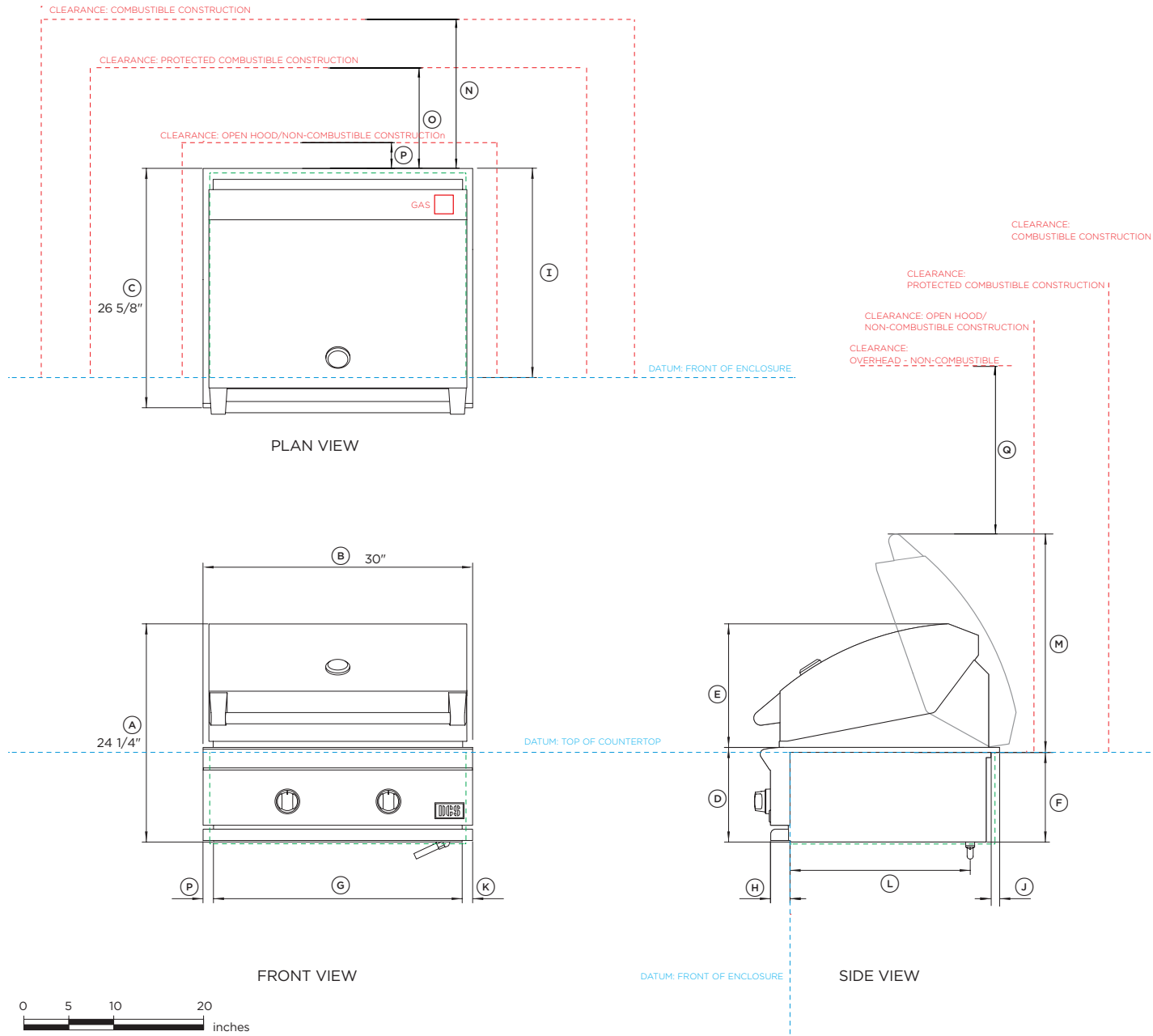
Note: Do not install under unprotected combustible or protected combustible construction without using a fire safe ventilation system as per UL 507 and CSA C22.2 No 60335-2-31.

If the grill is to be placed into a combustible enclosure, an approved insulated jacket is necessary. Use only the DCS insulated jacket which has specifically been designed and tested for this purpose.

36" Insulated jacket model number: BGA36-IJS

INDICATES CABINETRY / PRODUCT DATUM -----  
INDICATES CABINETRY CLEARANCES - - - - -

IMPORTANT NOTE: Throughout this guide, dimensions may vary by ±2mm (1/16"). Please read the Installation Guide for detailed information on installing the product. For full installation instructions visit [dcsappliances.com](http://dcsappliances.com)



**Model no:**  
30" Grills - BH1-30

Product Dimensions	inch	mm
A Overall height (excluding lid)	24 1/4	616
B Overall width	30	762
C Overall depth	26 5/8	676
D Height of chassis including flange	10 1/2	267
E Height of chassis from top of hood to flange	13 3/4	349
F Height of chassis below flange	9 15/16	253
G Width of Chassis inside enclosure	27 11/16	703
H Control panel depth	2 3/16	55
I Front of cabinet (proud) to rear flange	23 5/16	592
J Depth of rear flange	1	25
K Width of side flanges	1 3/16	29.5
L Front of chassis to gas outlet	20 1/16	509
M Height of open hood to top of counter-top	24 5/16	618

Minimum Clearances	inch	mm
N Clearance to combustible construction	18	457
O Clearance to protected combustible construction	12	305
P Clearance to non-combustible construction	3	76
Q Minimum clearance top of open hood to non-combustible surface	24	610

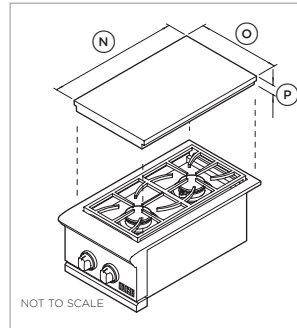
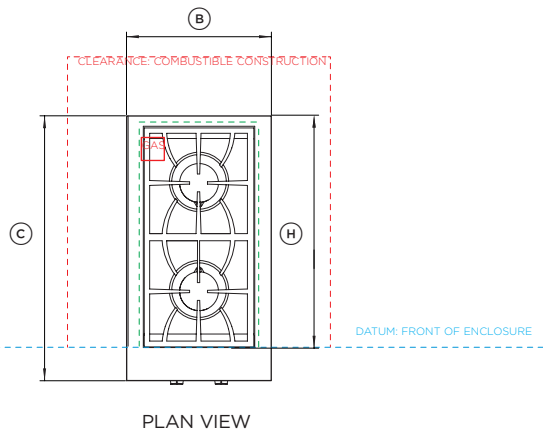
Note: Do not install under unprotected combustible or protected combustible construction without using a fire safe ventilation system As per UL 507 and CSA C22.2 No 60335-2-31.

If the grill is to be placed into a combustible enclosure, an approved insulated jacket is necessary. Use only the DCS insulated jacket which has specifically been designed and tested for this purpose.

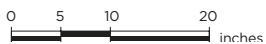
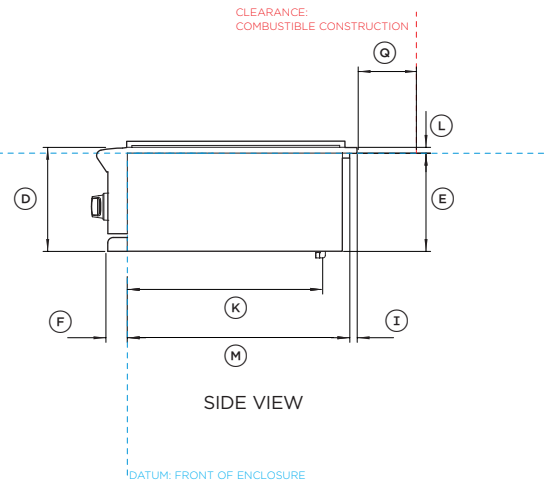
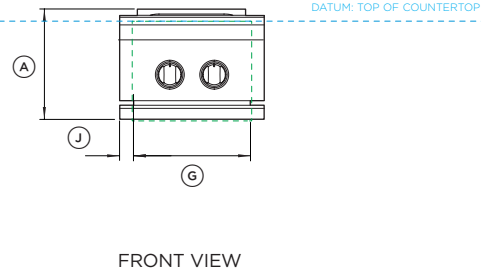
30" Insulated jacket model number: BGA30-IJS

INDICATES CABINETRY / PRODUCT DATUM -----  
INDICATES CABINETRY CLEARANCES - - - - -

IMPORTANT NOTE: Throughout this guide, dimensions may vary by ±2mm (1/16"). Please read the Installation Guide for detailed information on installing the product. For full installation instructions visit [dcsappliances.com](http://dcsappliances.com)



PLAN VIEW



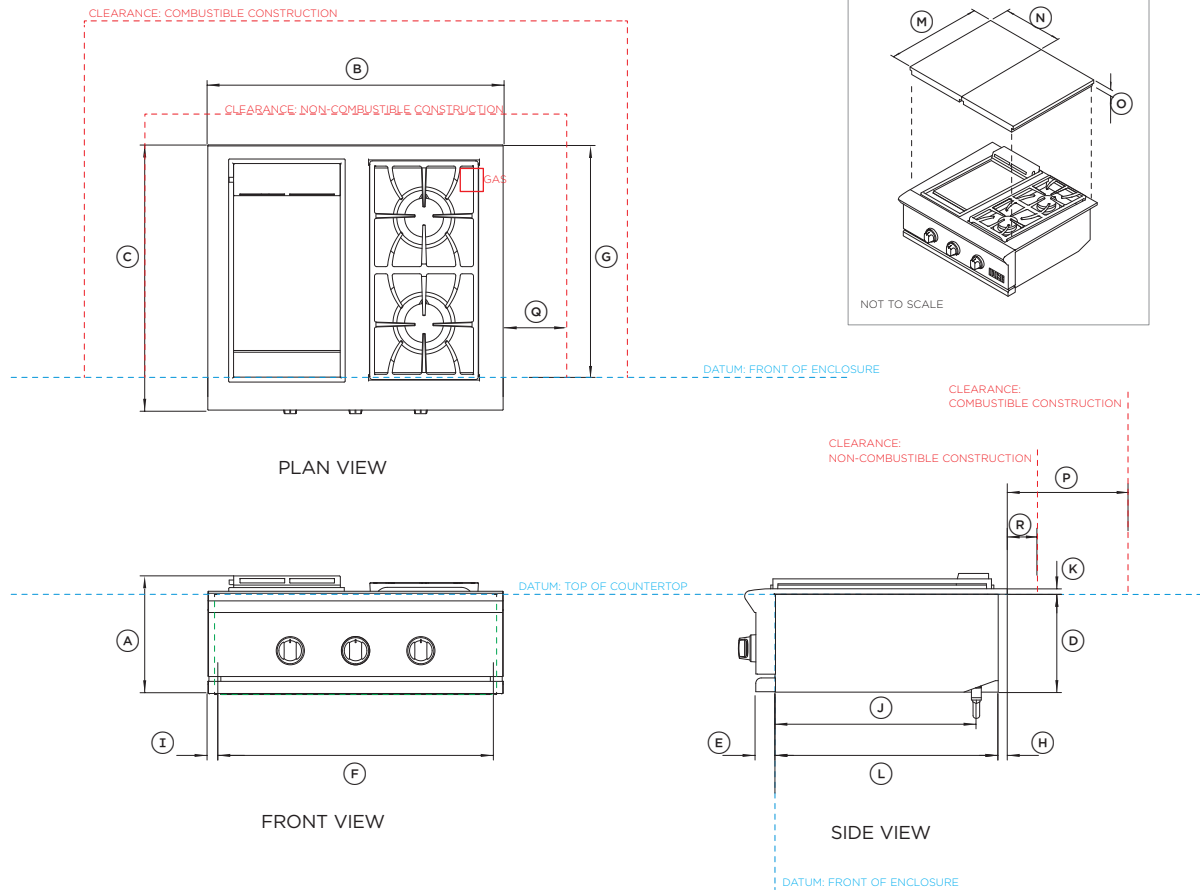
**Model no:**  
Side burners - BGC132-BI

Product Dimensions		inch	mm
Ⓐ	Overall height	11 3/4	285
Ⓑ	Overall width	14 11/16	373
Ⓒ	Overall depth (excluding dials)	26 7/8	683
Ⓓ	Height of chassis including flange	10 5/8	268
Ⓔ	Height of chassis below flange	9 15/16	253
Ⓕ	Control panel depth	2 3/16	55
Ⓖ	Width of Chassis inside enclosure	11 7/8	301
Ⓗ	Front of cabinet (proud) to rear flange	11 1/4	286
Ⓙ	Depth of rear flange	3/4	19
Ⓝ	Width of side flanges	1 7/6	36
Ⓚ	Front of chassis to gas outlet	20 1/16	509
Ⓛ	Height of flange	19/32	15
Ⓜ	Depth of chassis	22 9/16	573
Ⓝ	Depth of lid	23	585
Ⓞ	Width of lid	14 3/8	365
Ⓟ	Height of lid	1 11/16	43

Minimum Clearances		inch	mm
Ⓞ	Clearance to surfaces above counter-top at rear and sides	6	152

INDICATES CABINETRY / PRODUCT DATUM -----  
INDICATES CABINETRY CLEARANCES - - - - -

**IMPORTANT NOTE:** Throughout this guide, dimensions may vary by ±2mm (1/16"). Please read the Installation Guide for detailed information on installing the product. For full installation instructions visit [dcsappliances.com](http://dcsappliances.com)



**Model no:**  
Griddle/Side burner - BFGC-30BGD

Product Dimensions	inch	mm
Ⓐ Overall height	12	305
Ⓑ Overall width	30	762
Ⓒ Overall depth (excluding dials)	26 7/8	683
Ⓓ Height of chassis below flange	9 15/16	252
Ⓔ Control panel depth	2	51
Ⓕ Width of chassis inside enclosure	27 13/16	707
Ⓖ Front of cabinet (proud) to rear flange	23 1/2	597
Ⓗ Depth of rear flange	7/8	22
Ⓙ Width of side flanges	1 1/16	27.5
Ⓚ Front of chassis to gas outlet	20 1/32	509
Ⓛ Height of flange	9/16	14
Ⓛ Depth of chassis	22 9/16	573
Ⓜ Depth of lids (left and right)	23	584
Ⓝ Width of lids (left and right)	14 3/8	365
Ⓞ Height of lids (left and right)	1 11/16	43

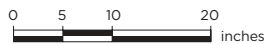
Minimum Clearances	inch	mm
Ⓟ Clearance to combustible construction above counter top at rear and sides	12	305
Ⓠ Clearance to non-combustible construction above counter top at sides	6	152
Ⓡ Clearance to non-combustible construction above counter top at rear	6	152

Note: If the griddle is to be placed into a combustible enclosure, an approved insulated jacket is necessary. Use only the DCS insulated jacket which has specifically been designed and tested for this purpose.

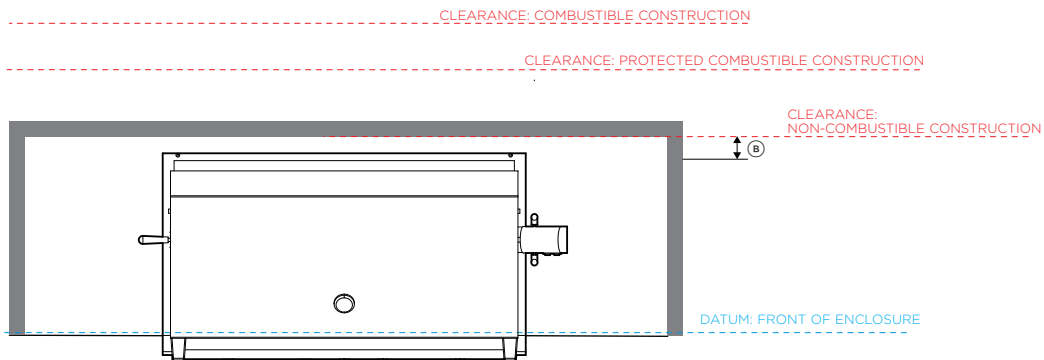
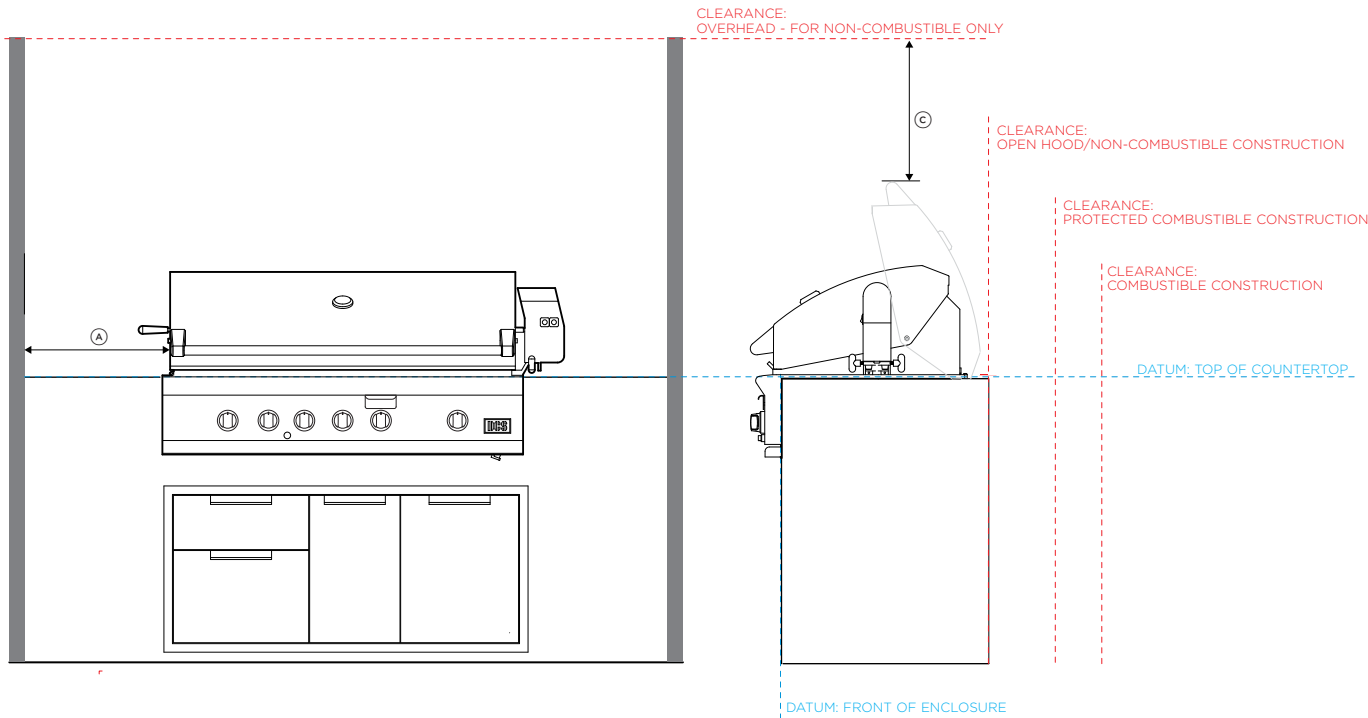
30" Insulated jacket model number: BGB30-IJS

INDICATES CABINETSRY / PRODUCT DATUM -----  
INDICATES CABINETSRY CLEARANCES - - - - -

IMPORTANT NOTE: Throughout this guide, dimensions may vary by ±2mm (1/16"). Please read the Installation Guide for detailed information on installing the product. For full installation instructions visit [dcsappliances.com](http://dcsappliances.com)



## PLANNING CONSIDERATIONS



**Model no:**

All grills - BH1-48RI, BH1-48R, BH1-48RS, BH1-48, BH1-36RI, BH1-36R, BH1-36, BH1-30R, BH1-30

**Product Dimensions**

Clearance to non-combustible* surfaces	inch	mm
Ⓐ Minimum clearance to sides	6	153
Ⓑ Minimum clearance to back	3	76
Ⓒ Minimum clearance top of open hood to surface	24	610
Clearance to combustible** surfaces	inch	mm
Ⓐ Minimum clearance to sides	18	457
Ⓑ Minimum clearance to back	18	457
Clearance to protected*** combustible surfaces	inch	mm
Ⓐ Minimum clearance to sides	12	305
Ⓑ Minimum clearance to back	12	305

\*Non-combustible materials are materials that are not capable of being ignited and burned consisting entirely of steel, iron, brick tile, concrete, slate and plaster.

\*\*Combustible materials include any decorative or structural material made of wood, compressed paper, plant fibres, vinyl, plastic or other materials that are capable of transferring heat or being ignited or burned. Such materials are considered combustible even if flame proofed, fire retardant treated, surface painted or plastered. Clearances from combustible materials of minimum 18" (457mm) apply to the internal carcass of the cabinet if an insulation jacket is not used.

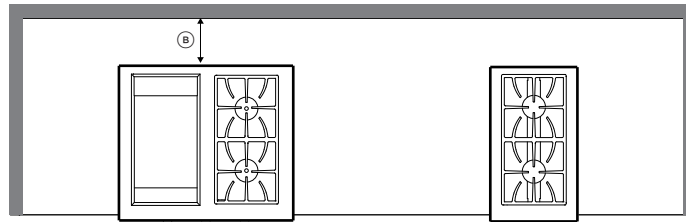
\*\*\*Protected combustible surfaces have a non-combustible material (minimum 4" or 102mm) in front of or covering combustible material.

Note: Do not install under unprotected combustible or protected combustible construction without using a fire safe ventilation system As per UL 507 and CSA C22.2 No 60335-2-31.

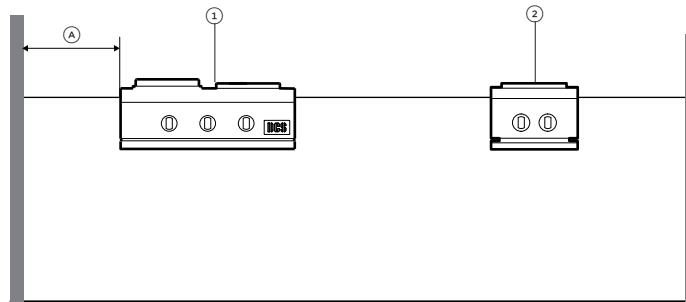
INDICATES CABINETRY / PRODUCT DATUM -----  
 INDICATES CABINETRY CLEARANCES - - - - -

IMPORTANT NOTE: Throughout this guide, dimensions may vary by ±2mm (1/16"). Please read the Installation Guide for detailed information on installing the product. For full installation instructions visit [dcsappliances.com](http://dcsappliances.com)

TOP VIEW



FRONT VIEW



**Product Dimensions**

**Model no:**

① 30" Griddle/Side burner GDSBH1-30

Clearance to non-combustible\* surfaces above counter top      inch      mm

④ Minimum clearance to sides      6      152

⑥ Minimum clearance to back      3      76

Clearance to combustible\*\* surfaces above counter top

④ Minimum clearance to sides      12      305

⑥ Minimum clearance to back      12      305

**Model no:**

② 14" Specialty Cooking BGC132-BI

Clearance to combustible\*\* surfaces above counter top      inch      mm

④ Minimum clearance to sides      6      152

⑥ Minimum clearance to back      6      152

\*Non-combustible materials are materials that are not capable of being ignited and burned consisting entirely of steel, iron, brick tile, concrete, slate and plaster.

\*\*Combustible materials include any decorative or structural material made of wood, compressed paper, plant fibres, vinyl, plastic or other materials that are capable of transferring heat or being ignited or burned. Such materials are considered combustible even if flame proofed, fire retardant treated, surface painted or plastered. Clearances from combustible materials of minimum 18" (457mm) apply to the internal carcass of the cabinet if an insulation jacket is not used.

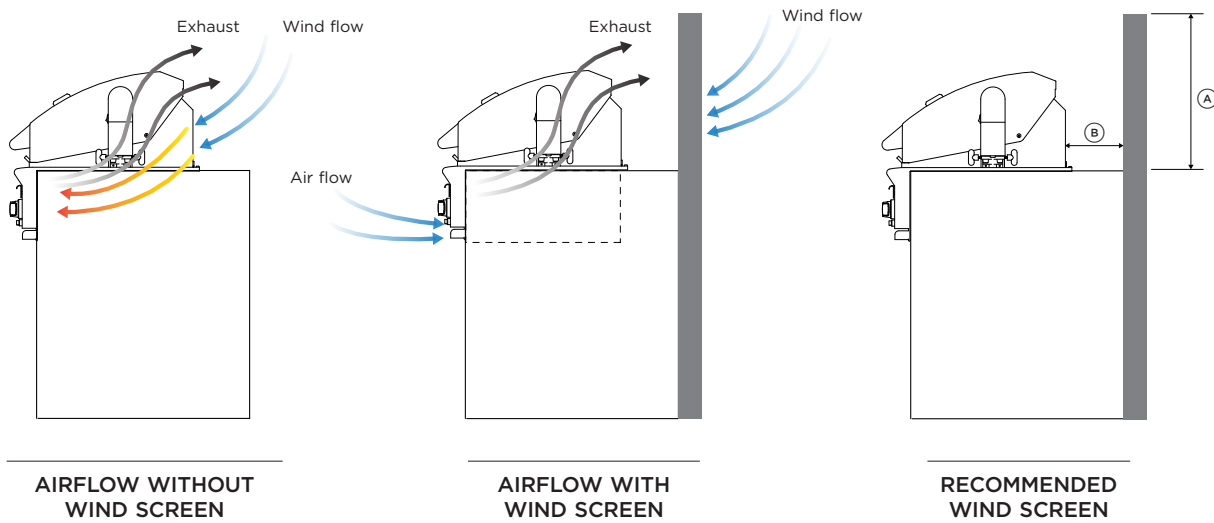
\*\*\*Protected combustible surfaces have a non-combustible material (minimum 4" or 102mm) in front of or covering combustible material.

INDICATES CABINTRY / PRODUCT DATUM -----  
 INDICATES CABINTRY CLEARANCES - - - - -

IMPORTANT NOTE: Throughout this guide, dimensions may vary by ±2mm (1/16"). Please read the Installation Guide for detailed information on installing the product. For full installation instructions visit [dcsappliances.com](http://dcsappliances.com)



Wind hitting the grill while in use, (especially wind blowing into or across the hood gap) can cause poor performance. In some cases wind can cause the control panel to get hot. If wind is an issue, a windscreen should be added.



**Wind protection Dimensions**

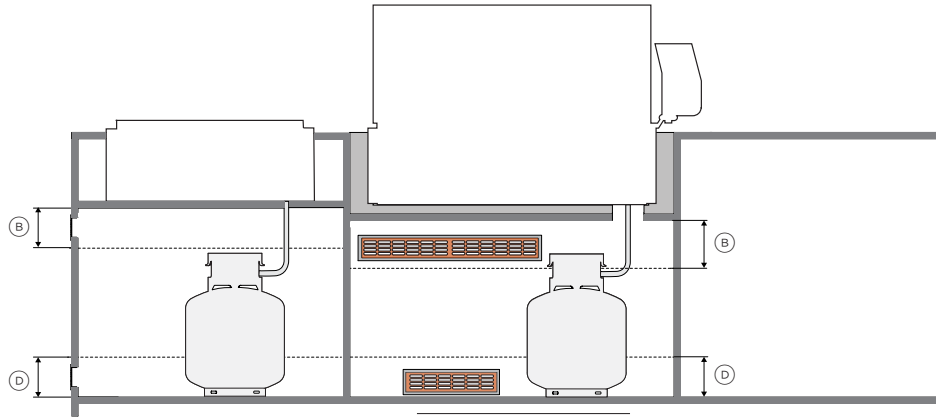
	inch	mm
Ⓐ Minimum windscreen height	18 3/4	476
Clearance to combustible surfaces		
Ⓒ Minimum clearance to back	18	457
Clearance to non-combustible surfaces		
Ⓓ Minimum clearance to back	3	76

Note: Wind hitting the grill while in use, (especially wind blowing into or across the hood gap) can cause poor performance and in some cases can cause the control panel to get hot. If wind is an issue, a windscreen should be added.

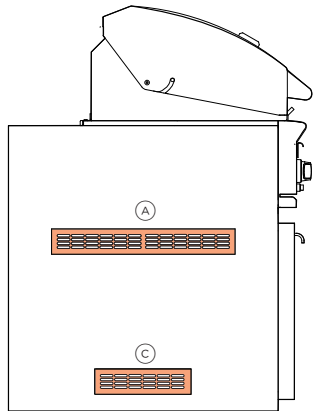
INDICATES CABINETRY / PRODUCT DATUM -----  
 INDICATES CABINETRY CLEARANCES - - - - -

IMPORTANT NOTE: Throughout this guide, dimensions may vary by ±2mm (1/16"). Please read the Installation Guide for detailed information on installing the product. For full installation instructions visit [dcsappliances.com](http://dcsappliances.com)

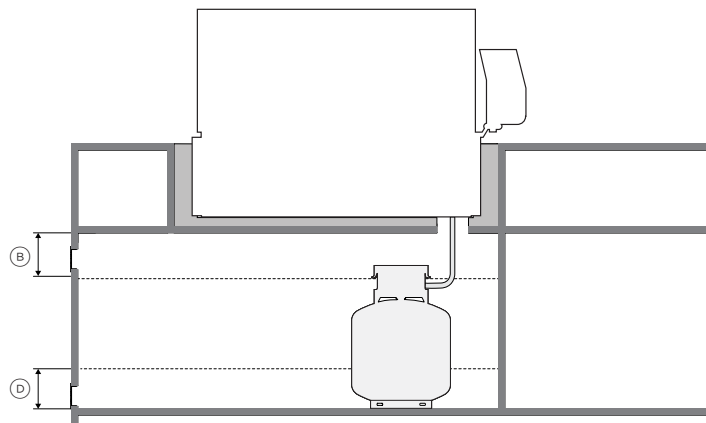
# SPECIFICATIONS | VENTILATION REQUIREMENTS FOR LP CYLINDER ENCLOSURES



**SECTION VIEW  
MULTIPLE TANKS**



**SIDE VIEW**



**SECTION SINGLE  
TANK**

**LP cylinder storage \*ventilation requirements:**

**Ventilation Dimensions**

Ⓐ	Upper ventilation min free area** (1 <sup>1/2</sup> per lb)	20 <sup>1/2</sup> (20lb cylinder)	129cm <sup>2</sup>
Ⓑ	Upper ventilation openings must be installed within 5" (127mm) of the top of the enclosure and unobstructed.	5"	127mm
Ⓒ	Lower ventilation min free area** (1/2 <sup>1/2</sup> per lb)	10 <sup>1/2</sup> (20lb cylinder)	64.5cm <sup>2</sup>
Ⓓ	Lower ventilation openings must be installed within 5" (127mm) of the bottom of the enclosure and unobstructed.	5"	127mm

\*Refer to ANSI Z21.58 Standard for Outdoor Cooking Gas Appliances, Section 4.6.2 Enclosures For Self Contained LP-Gas Supply Systems. Both upper and lower ventilation openings are required.

\*\*Free area is the area within an opening unobstructed by grills or dampers when in operation. Every opening must be wide enough to fit a 3/16" (4.8mm) rod.

Note: At least one ventilation opening shall be provided on the exposed exterior side of the enclosure located within 5" (127mm) of the top of the enclosure and unobstructed. The opening(s) shall have a total free area of not less than 1<sup>1/2</sup>/lb (14.2cm<sup>2</sup>/kg) of stored fuel capacity.

At least one ventilation opening shall be provided on the exposed exterior side of the enclosure 1" (25.4mm) or less from the floor level and shall have a total free area of not less than 1/2<sup>1/2</sup>/lb (7.1cm<sup>2</sup>/kg) of stored fuel capacity. The upper edge shall be no more than 5" (127mm) above the floor level.

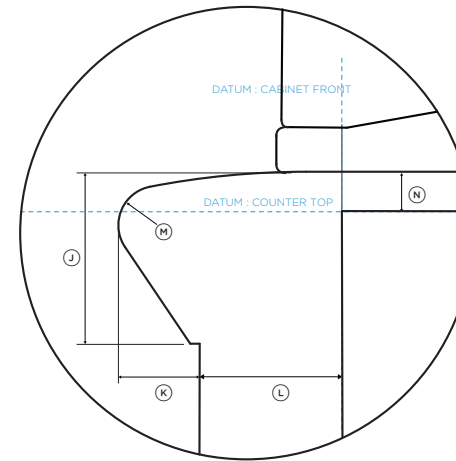
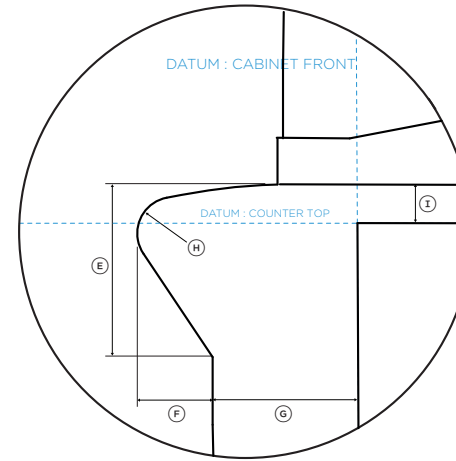
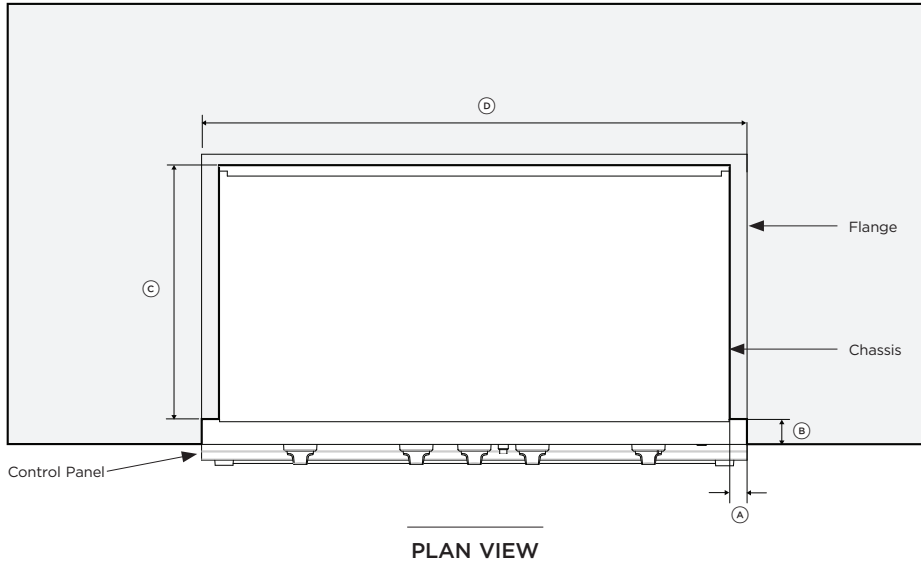
Every opening shall have a minimum dimension so as to permit the entrance of a 3/16" (4.8mm) rod.

INDICATES CABINETRY / PRODUCT DATUM .....  
INDICATES CABINETRY CLEARANCES - - - - -

IMPORTANT NOTE: Throughout this guide, dimensions may vary by ±2mm (1/16"). Please read the Installation Guide for detailed information on installing the product. For full installation instructions visit [dcsappliances.com](http://dcsappliances.com)

# SPECIFICATIONS | BULL-NOSE EDGING GRILL DETAILS

Counter-tops with bull-nose edging or overhang require notching around the control panel of your grill. Ensure proper customization for a seamless fit.



## Bull-nose Dimensions - Grill

Non-combustible counter-top notch dimensions	inch	mm
Ⓐ Counter-top control panel notch		
BH1-48RI, BH1-48R, BH1-48RS, BH1-48, BH1-36RI, BH1-36R, BH1-36, BH1-30R, BH1-30	1 1/2	38.6
Ⓑ Counter-top overhang dimensions vary according to counter-top design		
Ⓒ See Cabinet Specifications pages for your product dimensions		
Ⓓ See Cabinet Specifications pages for your product dimensions		

## Grill bull-nose and control panel dimensions

Ⓔ Bull-nose height	2 5/8	67
Ⓕ Bull-nose to control panel	1 1/8	29
Ⓖ Control panel to cabinet front	2 3/16	55.6
Ⓗ Bull-nose diameter	1 3/32	28
Ⓘ Flange height	9/16	14

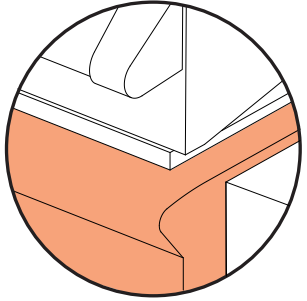
## Bull-nose Dimensions - Specialty Cooking

Specialty cooking bull-nose and control panel dimensions	inch	mm
Ⓛ Bull-nose height	2 13/32	61
Ⓧ Bull-nose to control panel	1 7/16	29
Ⓝ Control panel to cabinet front	2	50.5
Ⓜ Bull-nose diameter	1 3/32	28
Ⓞ Flange height	9/16	14

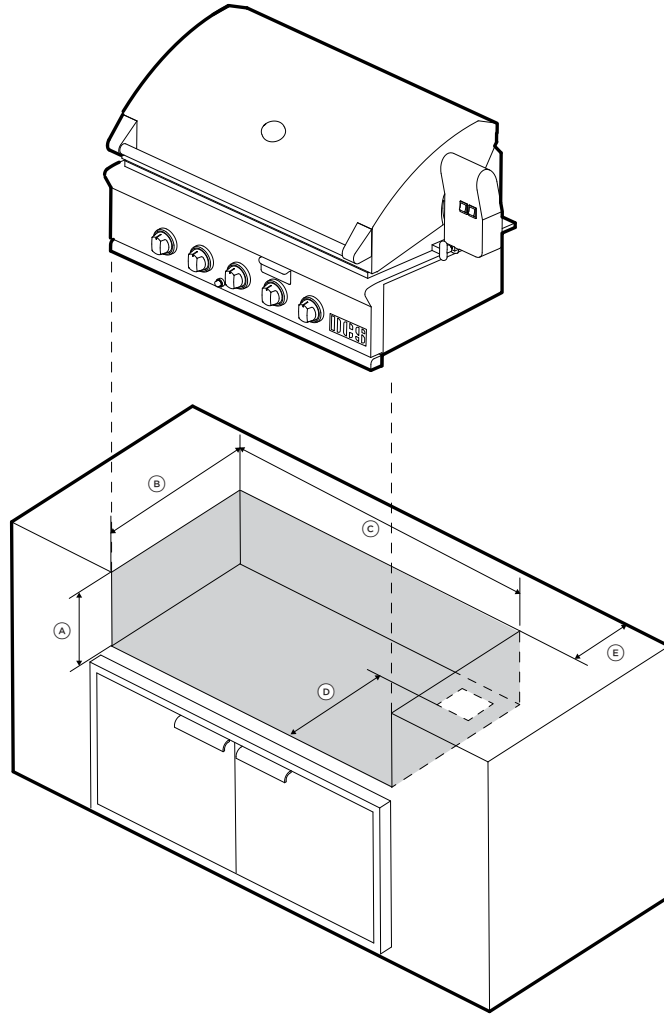
INDICATES CABINETRY / PRODUCT DATUM -----  
 INDICATES CABINETRY CLEARANCES - - - - -

**IMPORTANT NOTE:** Throughout this guide, dimensions may vary by ±2mm (1/16"). Please read the Installation Guide for detailed information on installing the product. For full installation instructions visit [dcsappliances.com](http://dcsappliances.com)

## GRILL CABINET SPECIFICATIONS



NON-COMBUSTIBLE CABINET



ISO VIEW

**Model no:**

48" Grills - BH1-48RI, BH1-48R, BH1-48RS, BH1-48

**Product Dimensions**

Non-combustible cabinetry	inch	mm
A Cavity height	10 1/8	257
B Cavity depth	22 3/4	578
C Cavity width	45 3/4	1162
D Depth to gas supply opening	18 1/2	470
E Minimum hood swing clearance	min 3 3/4	min 95

**Model no: 36" Grills - BH1-36RI, BH1-36R, BH1-36**

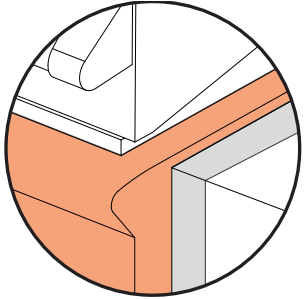
Non-combustible cabinetry	inch	mm
A Cavity height	10 1/8	257
B Cavity depth	22 3/4	578
C Cavity width	34 1/2	876
D Depth to gas supply opening	18 1/2	470
E Minimum hood swing clearance	min 3 3/4	min 95

**Model no: 30" Grill BH1-30R, BH1-30**

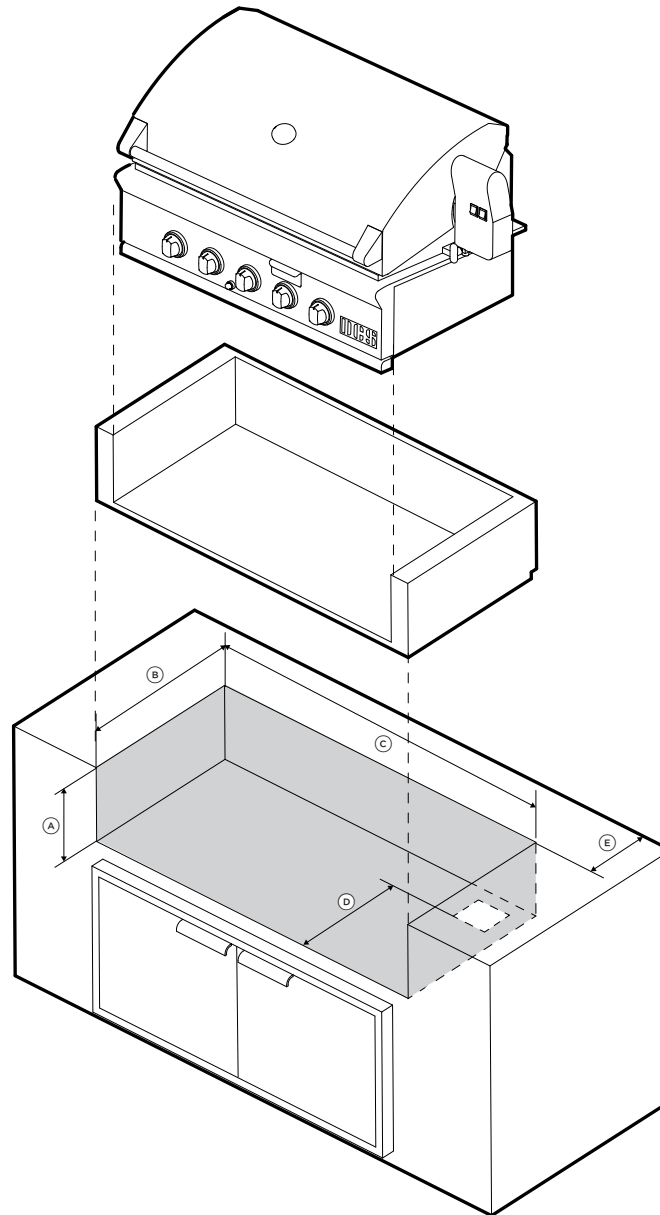
Non-combustible cabinetry	inch	mm
A Cavity height	10 1/8	257
B Cavity depth	22 3/4	578
C Cavity width	28 1/2	724
D Depth to gas supply opening	18 1/2	470
E Minimum hood swing clearance	min 3 3/4	min 95

INDICATES CABINETRY / PRODUCT DATUM -----  
 INDICATES CABINETRY CLEARANCES - - - - -

IMPORTANT NOTE: Throughout this guide, dimensions may vary by ±2mm (1/16"). Please read the Installation Guide for detailed information on installing the product. For full installation instructions visit [dcsappliances.com](http://dcsappliances.com)



**COMBUSTIBLE CABINET WITH INSULATION JACKET**



**ISO VIEW**

**Model no: 48" Grills - BH1-48RI, BH1-48R, BH1-48RS, BH1-48**

Combustible cabinetry with insulation jacket	inch	mm
A Cavity height	11 1/8	283
B Cavity depth	23 3/4	603
C Cavity width	51 7/8	1318
D Depth to gas supply opening	18 1/2	470
E Minimum hood swing clearance	min 3	min 76

**Model no: 36" Grills - BH1-36RI, BH1-36R, BH1-36**

Combustible cabinetry with insulation jacket	inch	mm
A Cavity height	11 1/8	283
B Cavity depth	23 3/4	603
C Cavity width	40 1/2	1029
D Depth to gas supply opening	18 1/2	470
E Minimum hood swing clearance	min 2 27/32	min 72

**Model no: 30" Grills - BH1-30R, BH1-30**

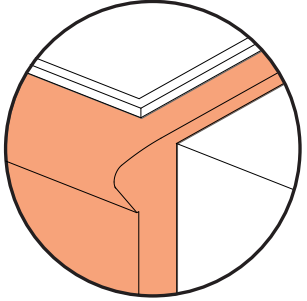
Combustible cabinetry with insulation jacket	inch	mm
A Cavity height	11 1/8	283
B Cavity depth	23 3/4	603
C Cavity width	34 7/8	886
D Depth to gas supply opening	18 1/2	470
E Minimum hood swing clearance	min 2 27/32	min 72

INDICATES CABINERY / PRODUCT DATUM -----  
 INDICATES CABINERY CLEARANCES - - - - -

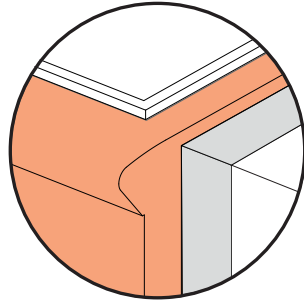
IMPORTANT NOTE: Throughout this guide, dimensions may vary by ±2mm (1/16"). Please read the Installation Guide for detailed information on installing the product. For full installation instructions visit [dcsappliances.com](http://dcsappliances.com)

## SPECIALTY COOKING CABINET SPECIFICATIONS

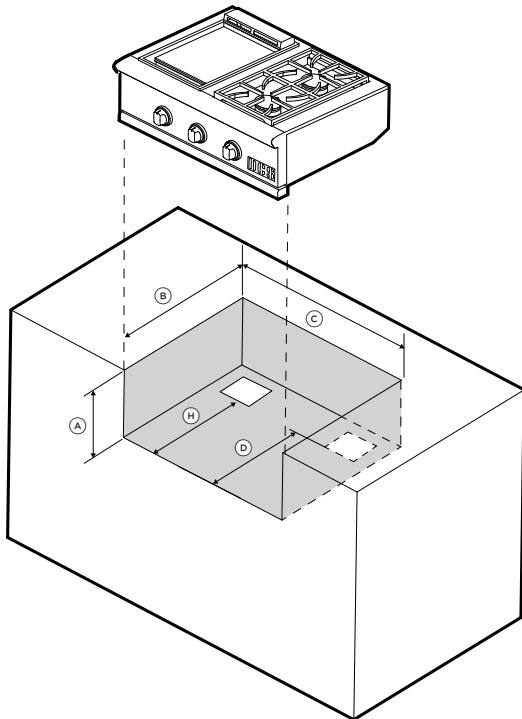
# SPECIFICATIONS | SPECIALTY COOKING INSTALLATION



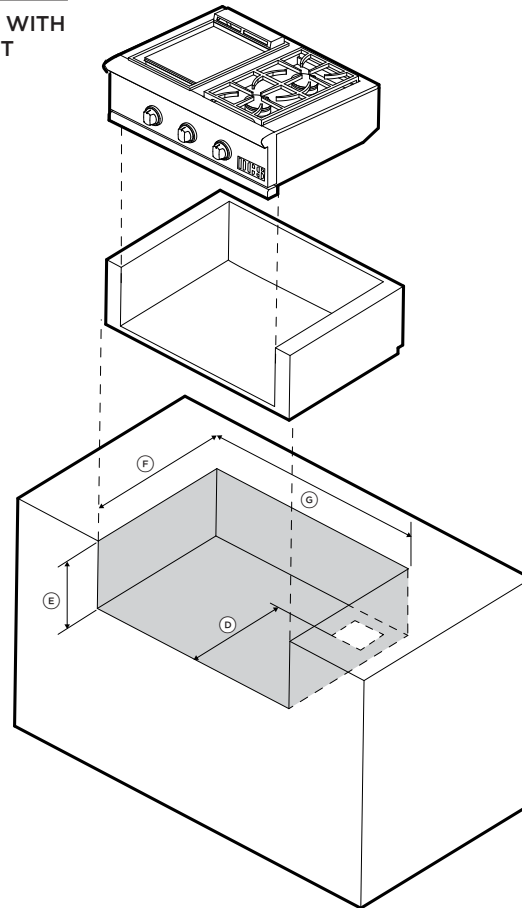
NON-COMBUSTIBLE CABINET



COMBUSTIBLE CABINET WITH INSULATION JACKET



ISO VIEW



ISO VIEW

**Model no:**  
30" Specialty Cooking - BFGC-30BGD

**Product Dimensions**

Non-combustible cabinetry	inch	mm
Ⓐ Cavity height	10 1/8	257
Ⓑ Cavity depth	22 3/4	578
Ⓒ Cavity width	28 1/2	724
Ⓓ Depth to gas supply opening (right)	18 1/2	470

Combustible cabinet with insulation jacket	inch	mm
Ⓔ Cavity height	11 1/8	283
Ⓕ Cavity depth	23 3/4	603
Ⓖ Cavity width	34 7/8	886

Combustible cabinet with insulation jacket	inch	mm
Ⓗ Cavity height	11 1/8	283
Ⓖ Cavity depth	23 3/4	603
Ⓖ Cavity width	28 7/8	734

**Model no:**  
14" Specialty Cooking - BGC132-BI

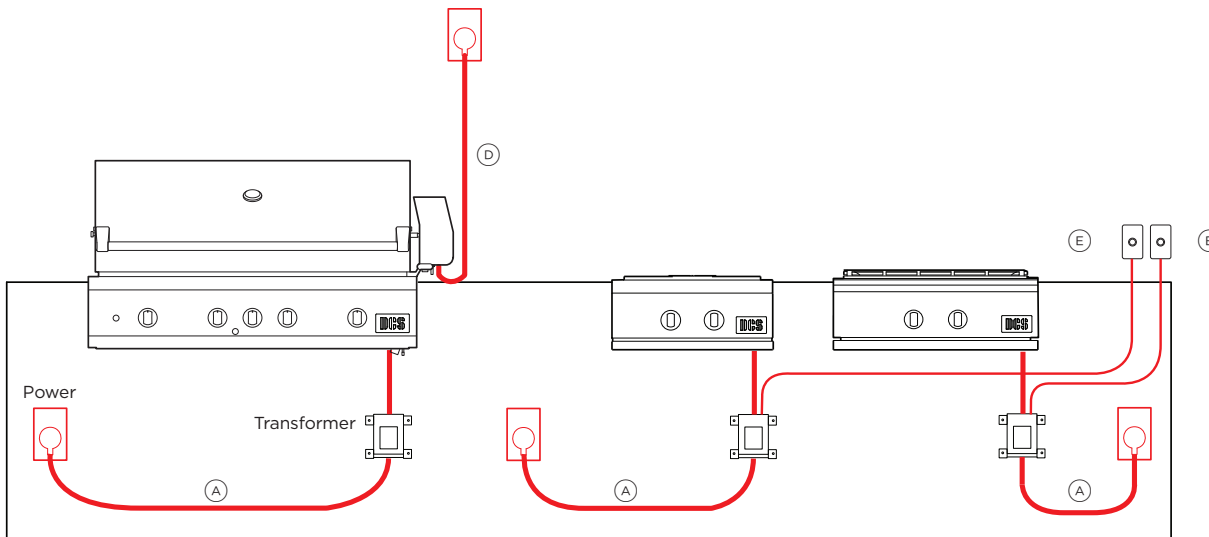
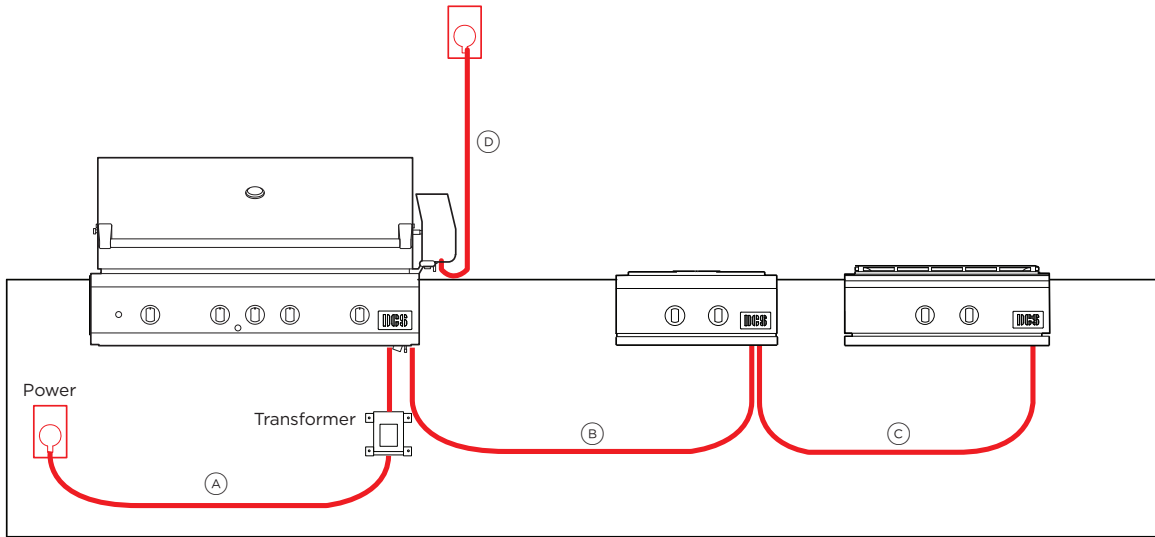
Non-combustible cabinetry	inch	mm
Ⓐ Cavity height	10 1/8	257
Ⓑ Cavity depth	22 3/4	578
Ⓒ Cavity width	12 1/8	308
Ⓓ Depth to gas supply opening (left)	18 1/2	470

INDICATES CABINETRY / PRODUCT DATUM -----  
INDICATES CABINETRY CLEARANCES -----

IMPORTANT NOTE: Throughout this guide, dimensions may vary by ±2mm (1/16"). Please read the Installation Guide for detailed information on installing the product. For full installation instructions visit [dcsappliances.com](http://dcsappliances.com)



## SERVICES



**Maximum Distance of Cords**

**Model Numbers:**

Grills - BH1-48RS, BH1-48RI, BH1-48R, BH1-48, BH1-36RI, BH1-36R, BH1-36, BH1-30R, BH1-30  
 Specialty cooking - BFGC-30BGD, BGC132-BI  
 Interconnectivity connector cables - BGA-4PC, BGA-6PC  
 External lighting power button - BGA-LB DCS

**Product Dimensions**

	inch	mm
(A) Maximum power cord length from transformer	63	1600
(B) 4ft Extension cable (BGA-4PC) length	48	1200
(C) 6ft Extension cable (BGA-6PC) length	72	1800
(D) Maximum rotisserie power cord length transformer	31 1/2	800
(E) External lighting power button can be used with 4ft & 6ft extension cables		

**Specifications**

**Electrical**

Supply	120V 60Hz
Service	13-15A

Note: Use only a Ground Fault Interrupter (GFI) protected circuit with these products. An outdoor 120VAC 15A GFI electrical outlet must be installed by a qualified electrician.

IMPORTANT NOTE: Throughout this guide, dimensions may vary by ±2mm (1/16"). Please read the Installation Guide for detailed information on installing the product. For full installation instructions visit [dcsappliances.com](http://dcsappliances.com)

